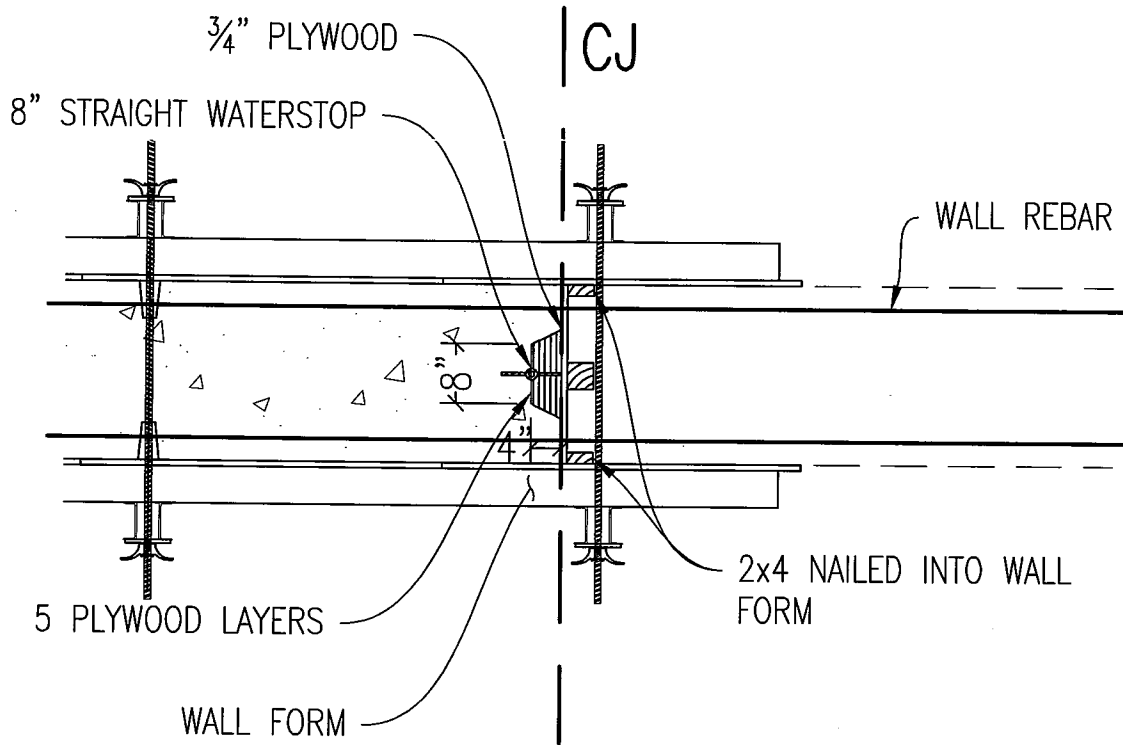


## REQUEST FOR INFORMATION

Request for Information -	002	ROUTING	DATE SENT	VIA MAIL, EMAIL OR FAX			DATE RECEIVED	VIA MAIL, EMAIL OR FAX		
				M	E	F		M	E	F
OWNER: LFMSDD		Contractor to Engineer	1/17/2011		X		1/17/2011		X	
PROJECT: HDTRWRF		Engineer to Contractor	1/17/2011		X					
ENGINEER: GMS, Inc.		Copy to Owner	1/17/2011		X					
CONTRACTOR: Weaver General Construction Co.										
RFI TITLE: Wall Construction Joint Detail										
REFERENCE: Drawing AB-3										
<b>CONTRACTOR'S REQUEST</b>										
The following information, interpretation, or clarification is requested as described below or in the attachments.										
The drawings do not identify a vertical wall construction joint detail. Baker Concrete proposes to install the wall construction joints per the attached detail. Is this acceptable?										
By: John Jacob					Date: 1/17/11					
<b>ENGINEER'S RESPONSE</b>										
The following information, interpretation, or clarification is provided as described below or in the attachments.										
We take no exception to the vertical wall construction joint detail as provided by Baker Concrete.										
By: David R. Frisch, P.L.S.					Date: January 17, 2011					

cc: Wes Weaver, Jeff Burst, John Jacob, WGCC; Jim Heckman, LFMSDD; Tim Long, Charlie Edgar, Cindy Murray, FSD; Al Testa, CCMD; Roger Sams, Jerry Miller, GMS, Inc.; Pat Danenberg, MWI; John Peiffer, Mike Gaines, MGA; Mark Reasinger, PECl



1 WALL CONSTRUCTION JOINT DETAIL  
Scale: 1/2" = 1'-0"

THESE DRAWINGS ARE INTENDED FOR USE BY BAKER CONCRETE CONSTRUCTION, INC. (BCCI) ONLY. BCCI DOES NOT ASSUME OR ACCEPT ANY LIABILITY FOR THEIR USE BY ANYONE OTHER THAN BCCI.

USE THIS DRAWING IN CONJUNCTION WITH THE STRUCTURAL CONSTRUCTION DOCUMENTS AND DRAWINGS.

SK-03.A

**BAKER**  
CONCRETE CONSTRUCTION

8300 Hempstead Rd. Houston, Tx. 77008  
Phone: 713.864.0657 | Fax: 713.860.0222  
www.bakerconcrete.com

Texas Firm # F-11611

HAROLD THOMPSON WRF

-----  
-----  
-----

REV.	DATE	DESCRIPTION	BY:
0	1/12/11	KEYWAY DETAILS	LFC

DRAWN BY : LFC  
DATE : 1.12.11  
CHECKED BY :  
DATE :  
JOB # : 9921  
SCALE : 1/2" = 1'-0"