



WEAVER CONSTRUCTION MANAGEMENT, INC.
 3679 S. Huron St., Suite 404
 Englewood, CO 80110
 Phone: (303) 789-4111 FAX: (303) 789-4310

SUBMITTAL TRANSMITTAL

October 19, 2011
WGC Submittal No: 15400-003

PROJECT: Harold Thompson Regional WRF
 Birdsall Rd.
 Fountain, CO 80817
 Job No. 2908

ENGINEER: GMS, Inc.
 611 No. Weber St., #300
 Colorado Springs, CO 80903
 719-475-2935 Roger Sams

OWNER: Lower Fountain Metropolitan
 Sewage Disposal District
 901 S. Santa Fe Ave.
 Fountain, CO 80817
 719-382-5303 James Heckman

CONTRACTOR: Always Plumbing & Heating
 P.O. Box 25215
 Colorado Springs, Colorado 80936
 719-532-1344 Ed Buss
 info@alwaysph.com

SUBJECT: Plumbing Submittal for Head Works Building - Epoxy Coated Floor Cleanout

SPEC SECTION: 15400-3 15400.2.1.D.2 Cleanout

PREVIOUS SUBMISSION DATES: n/a

DEVIATIONS FROM SPEC: ___ YES X NO

CONTRACTOR'S STAMP: This submittal has been reviewed by Weaver General Construction and approved with respect to the means, methods, techniques, & safety precautions & programs incidental thereto. Weaver General Construction also warrants that this submittal complies with contracted documents and comprises on deviations thereto:

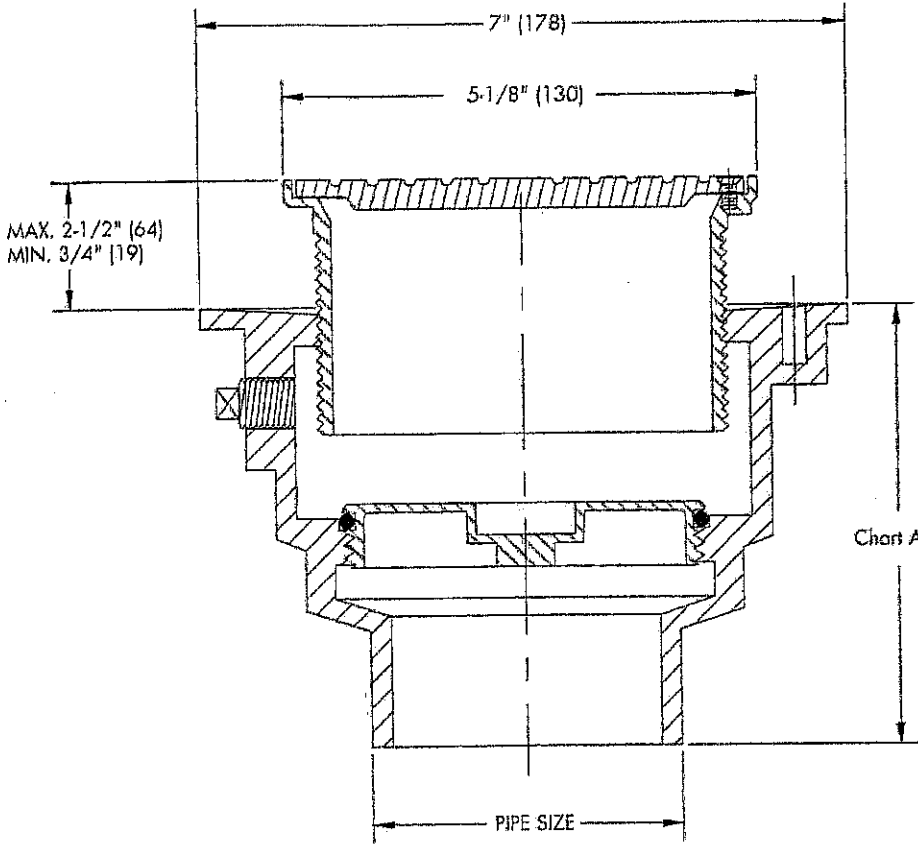
<p>Contractor's Stamp:</p> <p>Date: 10/19/11 Reviewed by: H.C. Myers <input checked="" type="checkbox"/> Reviewed Without Comments <input type="checkbox"/> Reviewed With Comments</p> <p>ENGINEER'S COMMENTS:</p>	<p>Engineer's Stamp:</p>
---	---------------------------------



CO-200-R
Tag: _____

Floor Cleanout with Round Top

SPECIFICATION: Watts Drainage CO-200-R epoxy coated cast iron floor cleanout with 5" (127) round adjustable gasketed nickel bronze top, removable gas tight gasketed brass cleanout plug, and no hub (standard) outlet.



Components	
84-34	P
Pipe Sizing (Select One)	
Suffix	Description
2	2" (51) Pipe Size <input type="checkbox"/>
3	3" (76) Pipe Size <input type="checkbox"/>
4	4" (102) Pipe Size <input checked="" type="checkbox"/>
Outlet Type (Select One)	
Suffix	Description
NH	No Hub (MJ) <input checked="" type="checkbox"/>
P	Push On <input type="checkbox"/>
X	Inside Caulk <input type="checkbox"/>
Options (Select One or More)	
Suffix	Description
C	Membrane Clamp <input type="checkbox"/>
b	Vandal Proof <input type="checkbox"/>
13	Galvanized Body <input type="checkbox"/>
CF	Carpet Cleaning Flange <input type="checkbox"/>
Optional Body Material	
Suffix	Description
-60	PVC Body w/ Poly Plug <input type="checkbox"/>
-61	ABS Body w/ Poly Plug <input type="checkbox"/>

Chart A

	NH(MJ)	P	60/61
Pipe Size	No Hub	Push On	PVC/ABS
2"	4-1/2" (114)	5-1/2" (140)	4" (102)
3"	4-1/2" (114)	5-1/2" (140)	4" (102)
4"	4-3/4" (121)	5-1/2" (140)	4" (102)

Load Rating
*MD

* The load classifications are in accordance with the American National Standards ASME A112.21.1M ASME Ratings are as follows:
MD - Safe Live Load 2000-4999 lbs. (900-2250kg)
The above categories are given as a guide only. Please consult factory.

Job Name _____ Contractor _____

Job Location _____ Contractor's P.O. No. _____

Engineer _____ Representative _____

WATTS Drainage reserves the right to modify or change product design or construction without prior notice and without incurring any obligation to make similar changes and modifications to products previously or subsequently sold. See your WATTS Drainage representative for any clarification. Dimensions are subject to manufacturing tolerances.



Specification Drainage Products

USA: 100 Watts Road, Spindale, NC, 28160-2298; TEL: 828-288-2179 TOLL-FREE: 1-800-338-2581 www.watts.com



Always Plumbing & Heating

LETTER OF TRANSMITTAL

P.O. Box 25215
 Colorado Springs, Colorado 80936
 Phone 532-1344 Fax 532-1344

Date:	8/29/2011	
To:	Weaver Construction	
Attn:	John	
Re:	Head Works at Harold Thompson RWRF	
Job #	9103	APH Job # W181

From: Ed Buss

We are Sending:

samples		shop drawings		other		
literature		submittals	Div 15 for (Plumbing) Plans Sheet HW20			
specs		contracts				
prints		change orders			submittal #	2

Copies	Date	Description
	8/29/2011	John, I am sending you plumbing submittals for the Head Works Building at the Harold Thompson Project.,included is the epoxy lined cleanouts.

For Your:

Approval	
Use	
Review	
Comments	
Signature	

Approved As:

Noted	
Submitted	
Corrected	
Rejected	

Returned for Correction:

Resubmit Copies For Approval	
Submit Copies for Distribution	
Renew copies For	

Notes:

Copy To:	Signature: