



Weaver

CONSTRUCTION MANAGEMENT

3679 S Huron Street, Suite 404 Englewood, Colorado 80110
Phone: (303) 789-4111 FAX: (303) 789-4310

SUBMITTAL TRANSMITTAL

February 21, 2012

WGC Submittal No: 15820-002

PROJECT: **Harold Thompson Regional WRF**
Birdsall Rd.
Fountain, CO 80817
Job No. 2908

ENGINEER: **GMS, Inc.**
611 No. Weber St., #300
Colorado Springs, CO 80903
719-475-2935 Roger Sams

OWNER: **Lower Fountain Metropolitan
Sewage Disposal District**
901 S. Santa Fe Ave.
Fountain, CO 80817
719-382-5303 James Heckman

CONTRACTOR: **Kuck Mechanical Contractors, LLC.**
395 West 67th Street
Loveland, CO 80593
970-461-3553 Melanie Peterson

SUBJECT: EM Building Duct Accessories - Inline Dampers and Flex Duct

SPEC SECTION: 15820 - Duct Accessories

PREVIOUS SUBMISSION DATES:

DEVIATIONS FROM SPEC: ___ YES X NO

CONTRACTOR'S STAMP: This submittal has been reviewed by Weaver Construction Management and, unless indicated otherwise, has been found to be in conformance with the intent of the contract documents.

Contractor's Stamp:

Date: 2/21/12

Reviewed by: Leslie Brown

(X) Reviewed Without Comments

() Reviewed With Comments

Engineer's Stamp:

ENGINEER'S

COMMENTS:



395 West 67th Street
P.O. Box 388
Loveland, CO 80539-0388
Phone: (970) 461-3553
Fax: (970) 461-3443

DATE: 02/15/12

SENT TO: Weaver General Contractors

Attn: John Jacob

JOB: Harold D. Thompson WRF (#01135)
9001 Birdsall Rd.
Fountain, CO 80817

SUBMITTAL NO.: 00012

SUBMITTAL DUE:

PACKAGE: n/a

VENDOR NAME: Air Purification

SPECIFICATION #: 15820

SUBJECT: EM Bldg - Duct Accessories

REVIEW DETAILS:

Review #: 1	Received: 02/15/12	Priority: Normal
Desc: EM Bldg - Duct Accessories	Sent: 02/15/12	Status: Open
Reviewer: John Jacob	Returned:	Sepias: 0
Weaver General Contractors	Forwarded:	Prints: 0

Sent for the following action(s):

- For Approval
 For Distribution
 For Your Use/Files
 As Req'd per

Action Needed:

Sincerely,
Melanie Peterson
Kuck Mechanical Contractors
PM Assistant
395 W. 67th Street
Loveland, CO 80538



Air Purification Company

1861 West 64th Lane, Denver, Colorado 80221

Phone: 303.428.2800 • Fax: 303.428.2700

Project: HDT Regional WRF
Location: Fountain
Architect: GMS
Engineer: GMS
Contractor: Kuck Mechanical
Specification Section: 15820
Manufacturer: Thermaflex, Midwest Ducts
Documents: Submittals
Document Number: F06.S01
Job Number: 2C011F

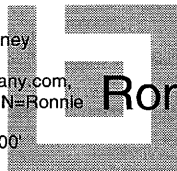
To avoid any lengthy delays that resubmittals may cause, please contact Ronnie Cheney at 303.704.9188 or ronnie@airpurificationcompany.com to work out any discrepancies or questions on the submittals.

Submitted for Approval By:

Ronnie Cheney

Ronnie Cheney

Digitally signed by Ronnie Cheney
DN: C=US,
E=ronnie@airpurificationcompany.com,
O=Air Purification Company, CN=Ronnie
Cheney
Date: 2012.02.07 13:29:59-07'00'



Ronnie Cheney



Air Purification Company

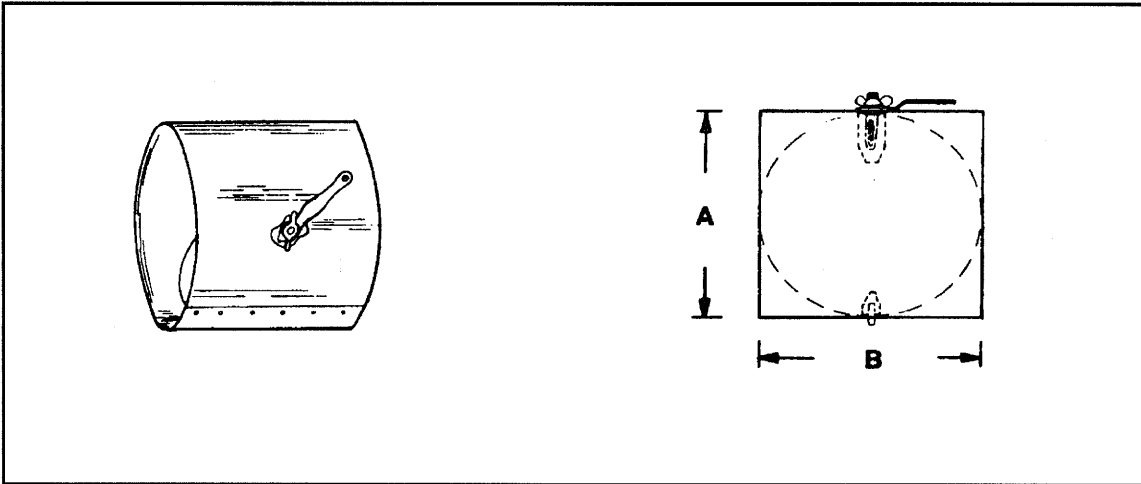
1861 West 64th Lane, Denver, Colorado 80221

Phone: 303.428.2800 • Fax: 303.428.2700

Document: Equipment Notes, Schedules and Catalog Data
Spec Section: 15820 - Duct Accessories

<u>Tag</u>	<u>Quantity</u>	<u>Size</u>	<u>Options</u>
Inline Dampers	3	6"	Manual Quad
Inline Dampers	1	8"	Manual Quad
Inline Dampers	4	10"	Manual Quad
Flex Duct	25'	10"	
Flex Duct	25'	6"	

Manual Volume Damper With Sleeve #MVD



Manual Volume Damper with Sleeve #MVD

SIZE	PROD #
4"	4MVD
5"	5MVD
6"	6MVD
7"	7MVD
8"	8MVD
9"	9MVD
10"	10MVD
12"	12MVD
14"	14MVD
16"	16MVD
18"	18MVD
20"	20MVD

SPECIFICATIONS:


- Ideal for Regular or Splitter Dampers
- Body is formed of heavy gauge cold rolled steel-rust-resistant galvanized finish.
- Fully retractable bearing of zinc alloy die-casting, threaded to accept 5/16 - 18 wing nut
- Position of handle indicates damper setting
- "Rapid" will penetrate and secure to round or rectangular damper blades up to 20 gauge
- Constructed of 26 gauge galvanized steel
- 2 quadrants on all dampers for stability
- 2 raw ends allow for connection to any type duct
- "A" and "B" dimension equal to diameter

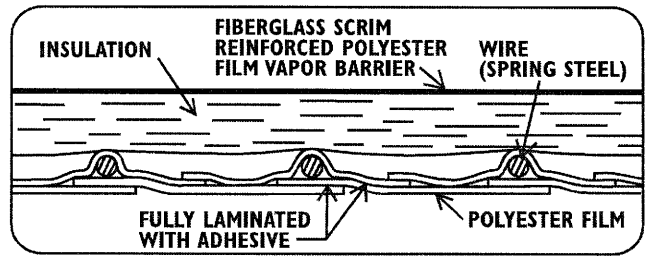




SUBMITTAL SHEET
for Flexible Duct

KM Insulated Flexible Air Duct for
Environmental Air Handling Systems

CODES/STANDARDS	Listed and labeled by Underwriters' Laboratories, Inc., as a Class 1 Air Duct, Standard 181. It complies with the latest NFPA Bulletins 90A and 90B. Meets FHA and other U.S. government agency standards. Flame spread: not over 25. Smoke developed: not over 50.
FABRIC TYPE	Polyester film.
INSULATION	1 1/2", .76 lb. minimum density fiberglass blanket. R-4.2 → R-6.0
EXTERIOR FACING AND VAPOR BARRIER	Fiberglass scrim reinforced, metallized polyester film vapor barrier. Flame resistant.
THERMAL PERFORMANCE R-VALUE	 ALSO CLASSIFIED BY UNDERWRITERS LABORATORIES, INC.® IN ACCORDANCE WITH ADC FLEXIBLE DUCT PERFORMANCE AND INSTALLATION STANDARDS (1991) USING ASTM C-518 (1991) AT INSTALLED WALL THICKNESS ON FLAT INSULATION ONLY R-4.2/R-6.0
VAPOR BARRIER PERMEANCE	.05 Perm per ASTM. Method E96, Procedure A.
TEMPERATURE RANGE	- 20° F to 250° F.
SIZES, ID	4 6 8 10 12 14 16 18 20
LENGTH (feet)	25 ft.
INSIDE BEND RADIUS (inches)	4 6 8 10 12 14 16 18 20
STEEL WIRE	Corrosion resistant coated wire helix.
RATED VELOCITY	5000 fpm.
MAX RATED PRESSURE	4" - 16" — 10" w.g., POSITIVE 18" - 20" — 6" w.g., POSITIVE 4" - 12" DIA — 1" w.g., NEGATIVE 14" - 20" DIA — 1/2" w.g., NEGATIVE



JOB _____	P.O. NO. _____
LOCATION _____	JOB NO. _____
ENGINEER _____	REPRESENTATIVE _____
CONTRACTOR _____	
Certified Correct	Approved for Construction
BY _____	BY _____
TITLE _____	TITLE _____
DATE _____	DATE _____

THERMAFLEX®— A Division of Flexible Technologies, Inc., a subsidiary of Smiths Group plc.
Customer Service Departments:
• 528 Carwellyn Rd. • Abbeville, SC 29620 • 864-459-5441
• 9101 Perkins St. • Pico Rivera, CA 90660 • 562-801-1634

