



WEAVER CONSTRUCTION MANAGEMENT, INC.
 3679 S. Huron St., Suite 404
 Englewood, CO 80110
 Phone: (303) 789-4111 FAX: (303) 789-4310

SUBMITTAL TRANSMITTAL

December 15, 2011
Submittal #: 16511-001

PROJECT: Harold Thompson Regional WRF
 Birdsall Rd.
 Fountain, CO 80817
 Job No. 2908

ENGINEER: GMS, Inc.
 611 No. Weber St., #300
 Colorado Springs, CO 80903
 719-475-2935 Roger Sams

OWNER: Lower Fountain Metropolitan
 Sewage Disposal District
 901 S. Santa Fe Ave.
 Fountain, CO 80817
 719-382-5303 James Heckman

CONTRACTOR: McDade Woodcock, Inc.
 7222 Commerce Center Drive, #245
 Colorado Springs, CO 80909
 719-264-1236

SUBJECT: Interior Lighting for Headworks & Secondary Clarifier - Type A, B & B1

SPEC SECTION: 16511 - Interior Lighting

PREVIOUS SUBMISSION DATES: none

DEVIATIONS FROM SPEC: ___ YES x NO

CONTRACTOR'S STAMP: This submittal has been reviewed by Weaver Construction Management and approved with respect to the means, methods, techniques, & safety precautions & programs incidental thereto. Weaver General Construction also warrants that this submittal complies with contracted documents and comprises on deviations thereto:

<p>Contractor's Stamp:</p> <p>Date: 12/15/11 Reviewed by: H.C. Myers <input checked="" type="checkbox"/> Reviewed Without Comments <input type="checkbox"/> Reviewed With Comments</p>	<p>Engineer's Stamp:</p>
--	---------------------------------

ENGINEER'S COMMENTS: _____



McDADE-WOODCOCK, INC.

HAROLD D. THOMPSON RWRF
HEADWORKS &
SECONDARY CLARIFIER

McDADE-WOODCOCK INC.
PROJECT NUMBER - 1402

ELECTRICAL SUBMITTAL

LIGHTING
(INTERIOR & EXTERIOR)

16511-001
16521-001

CORPORATE

2404 Claremont Ave. NE
Albuquerque, NM 87107

Mailing Address
P.O. Box 11592
Albuquerque, NM 87192

Ph 505-884-0155
Fax 505-884-6073

DENVER

10700 E. Geddes Avenue
Suite 170
Englewood CO 80112

Ph 303-803-1809
Fax 303-803-1818

COLORADO SPRINGS

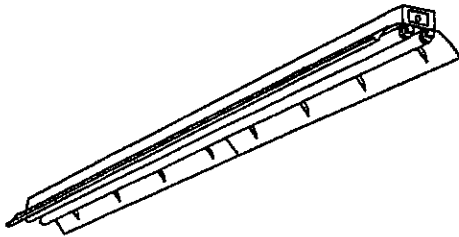
7222 Commerce Center Drive
Suite 245
Colorado Springs, CO 80919

Mailing Address
P.O. Box 7349
Colorado Springs, CO 80933

Ph 719-264-1236
Fax 719-264-1450

TABLE OF CONTENTS

TAB 1: Type A	
TAB 2: Type B	16511-001
TAB 3: Type B1	
TAB 4: Type C	
TAB 5: Type D	16521-001



FEATURES

- Solid 4' reflectors standard. 5% uplight distribution optional
- Telescopic spring loaded lampholders
- 2 1/2" lamp spacing
- For individual or continuous row mounting
- Channel ends double as joiners
- Two 4' reflectors with aligners supplied on 8' fixtures

PROJECT INFORMATION

HDT RWRP

Project Name

CSR4-232-U-EU CSRWG4

Catalog No.

A

Type

12/6/11

Date

HOUSING

Die formed steel with knockouts for stems or chain hangers.

REFLECTOR

Die embossed with transverse ribs for maximum rigidity. Available with apertures for uplight.

BALLASTS

Energy efficient, thermally protected, automatic resetting, Class P, high power factor, sound rated A, unless otherwise specified.

FINISH

White painted parts are treated with a five stage phosphate bonding process and finished after fabrication with a minimum 90% reflective glass baked enamel.

CERTIFICATION

All luminaires are built to UL 1598 standards and bear appropriate UL and cUL or CSA labels. Damp location labeling is standard. Emergency-equipped fixtures labeled UL 924.

ORDERING INFORMATION

EXAMPLE CSR4-296-U-EU-EL

CSR	4	2	32	U	E	U	CSRWG4
MODEL	SIZE	NO. OF LAMPS IN CROSS SECTION	LAMP TYPE	REFLECTOR TYPE	BALLAST	VOLTAGE	OPTIONS
CSR Industrial	4 4' 8 8'	1 One 2 Two	48 4', T12: Slimline 96T8 8', T8: 59 Watt 96 8', T12: Slimline	ST Solid Top Reflector (Std.) U 5% Uplight Reflector	E Electronic Instant Start (Std.)	U 120V-277V 120 120V 277 277V 347 347V	GLR Fast Blow Fuse GMF Slow Blow Fuse EL Emergency Battery Pack ¹ BC1 Branch Circuit Wiring Single Circuit PAF Paint After Fabrication NYC NYC Compliant NYCU NYC Compliant, Union Label

ACCESSORIES

(ORDER SEPARATELY)

- CSZTF** Zip Tee Hanger - flush mounting on T-Bar ceiling
- CSZT** Zip Tee Hanger - 1/2" spacer on tee bar ceiling
- CSTH** Slide Clamp Tong Hanger
- S18** 18" Stem, canopy and 8" aligner
- SS18** 18", 45° Swivel Stem & Canopy
- ITB4** Close Mounting on T-Bar ceiling
- CSHC** 14" Chain Hanging Assembly
- CSRWG4** 4' Wire Guard (two required for 8' fixture)

¹ Option requires fixture voltage in catalog numbers



Test: 7993 Test Date: 1/18/03

PHOTOMETRIC DATA

LUMINAIRE DATA

Luminaire	CSR8-296 LE CSR Industrial 96" x 11" Luminaire with Baked White Reflector
Ballast	R-2E75-S-TP
Ballast Factor	0.95
Lamp	F96T12
Lumens per Lamp	6300
Watts	158
Mounting	Recessed
Shielding Angle	N/A
Spacing Criterion	D ₀ = 1.27 90° = 1.46
Luminous Opening in Feet	Length: 8.00 Width: 0.92 Height: 0.00

ZONAL LUMEN SUMMARY

Zone	Lumens	% Lamp	% Fixt.
0-30	2481	19.7	22.9
0-40	4177	33.1	38.5
0-60	7912	62.8	73.0
0-90	10841	86.0	100.0
0-180	10841	86.0	100.0

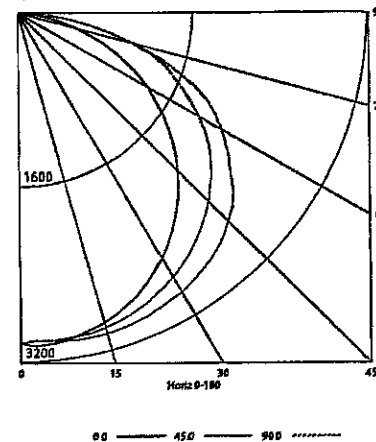
ENERGY DATA

Total Luminaire Efficiency	86.0%
Luminaire Efficacy Rating (LER)	65
IESNA RP-1-1993 Compliance	Non-Compliant
Comparative Yearly Lighting Energy Cost per 1000 Lumens	\$3.69 based on 3000 hrs. and \$0.08 per kWh

COEFFICIENTS OF UTILIZATION (%)

RCR	RC 80				RC 70				RC 50				RC 0			
	RW 70	50	30	10	70	50	30	10	50	30	10	0	70	50	30	10
1	93	88	84	80	90	86	82	79	82	79	82	79	76	70		
2	83	76	69	64	81	74	68	63	71	66	62	57				
3	75	66	58	52	73	64	57	52	62	56	51	47				
4	69	58	50	43	67	56	49	43	54	48	42	39				
5	63	51	43	37	61	50	42	37	48	41	36	33				
6	58	46	38	32	56	45	37	32	43	37	31	29				
7	54	41	33	28	52	41	33	28	39	32	28	25				
8	50	38	30	25	48	37	30	25	36	29	24	22				
9	46	34	27	22	45	34	27	22	33	26	22	20				
10	43	32	25	20	42	31	24	20	30	24	20	18				

INDOOR CANDELA PLOT



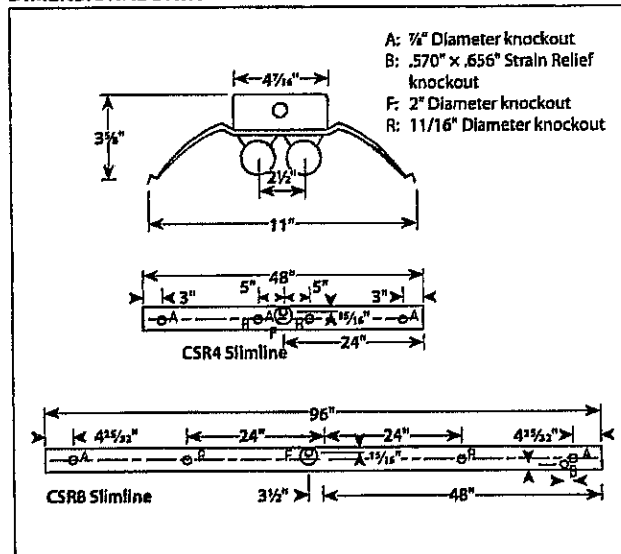
AVG. LUMINANCE (Candela/Sq. Ft.)

Average Luminance Angle	0.0	22.5	45.0	67.5	90.0
0	4469	4469	4469	4469	4469
30	4428	4541	4764	4956	5038
40	4341	4567	4973	5302	5430
45	4285	4585	5121	5526	5644
50	4214	4598	5290	5734	5879
55	4120	4671	5462	5910	605
60	4045	4756	5634	6140	6327
65	3845	4904	5779	6457	6644
70	3592	5024	6162	6636	6864
75	3204	5035	6125	6171	6210
80	2594	5357	5567	5601	5567
85	1678	5001	4934	4732	4397

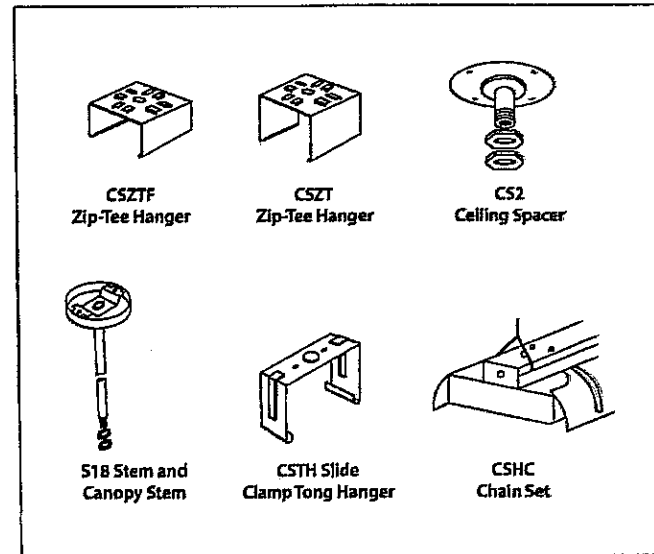
RCR = Room Cavity Ratio

RC = Effective Ceiling Cavity Reflectance RW = Wall Reflectance

DIMENSIONAL DATA



MOUNTING ACCESSORIES



NOTE: All dimensions are in inches; dimensions and specifications are subject to change without notice. Please consult factory or check sample for verification.





6L

NFL Series Fluorescent Luminaires

Higher Ambient Suitability: 55°C
Cold Weather Start (32W T8 Lamps)
Cl. I, Div. 2, Groups A, B, C, D
Cl. I, Zone 2, Group IIC

Wet Locations
3, 3R, 4, 4X

HDT RWRP TYPE B NFL4232/UNV 12/6/11

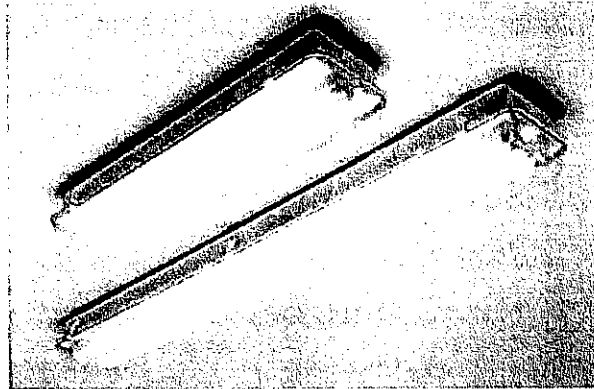
Applications:

The NFL Light Luminaires are used:

- In hazardous locations where dust, dirt, combustible vapors, smoke, fumes, moisture, corrosive, and wet conditions are present
- Where lamps may be broken due to physical abuse or movable equipment, such as in manufacturing areas or warehouses
- Where cleanliness and sanitation are prime factors such as in dairies, canneries, food processing plants, bottling plants, and laboratories
- In dock areas for protection against salt spray
- In areas where low mounting height and the even light distribution associated with a line type light source are required

Key Features:

- UL, cUL Listed for Class I, Division 2, Groups A, B, C, D areas with ambient suitability of 40°C (104°F) and 55°C (131°F) ambient suitability
- NEMA 4X with Myers Hubs and threaded metal plug (furnished)
- Non-metallic construction enclosure is corrosion-resistant
- Continuous form-in-place gasket ensures dust-tight, moisture-tight, and wet locations integrity
- Molded-in-place mounting studs – eliminate the need of bracket gaskets
- Standard construction includes:
 - S.S. mounting brackets
 - Electronic ballast
 - Cold weather ballast (4' F32 T8)
- S.S. mounting bracket combination ceiling and chain
- S.S. mounting brackets provide superior corrosion resistance
- Electronic ballast for energy efficiency
- Cold Weather Ballast (4' F32 T8)
- Two 1/2" conduit Myers Hubs for end and feed through wiring simplify installation and wiring
- Full metal fixture interior provides improved photometrics as well as access to and concealment of ballast and wiring
- Provisions (drill mark) on 4 ft. unit to field drill for pendant mounting for application and installation flexibility



Standard Materials:

- Housing – non-metallic, one piece fiberglass-reinforced polyester
 - Latches – Celcon™ acetal plastic
 - Lens – acrylic plastic
 - Gaskets – seamless thermoset polyurethane
 - Mounting Bracket – stainless steel
- Celcon™ is a trade name of Hoechst Celanese.

Standard Finishes:

- Fiberglass housing – white
- Acrylic plastic lens – crepe pattern

Options:

Description	Suffix
• Fused (not suitable for marine applications).....	S658
• Factory assembled with lamps installed.....	FA
• Battery back-up emergency ballast† (NFL 2140 and NFL 4232 only)....	S799*
• Increased impact-resistant lens (acrylic crepe pattern)..	DR1295046*
• Stainless steel latches.....	S863*
• Tamperproof latches.....	S861*

†For non-hazardous locations
*UNV voltages: 120, 208, 230, 240, 277, 50-60 Hz

Ratings (Electrical/Size):

Sources/Wattage: luminaires are for use with the following lamps

- NFL2140
one 40 W long twin tube
- NFL4232
two 32W T8 lamps
- NFL4240
two 34W "F40 Style" T12 lamps

Voltages

- 120V 60Hz
- 120 – 277V, 50 – 60 Hz
- 347V 60 Hz

Conduit Entries

- Two 1/2" inch Myers hubs, one on each end

Temperature Performance Data:

Ambient temperature range suitability: °C

Two lamp, 32W T8, 4 ft luminaire	-18°C to 55°C
All others	0°C to 55°C
Supply wire	75°C min.

Ordering Information:

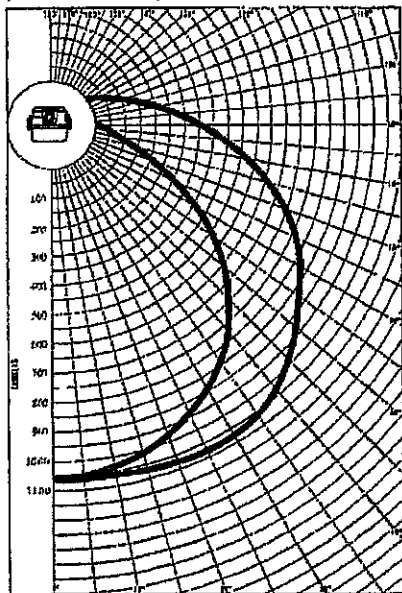
Luminaire Cat. #	Size/# of Lamp(s)	Wattage/ Lamp type	Voltage/Hz
NFL2140/UNV		40W T5 compact	120 / 60
NFL2140/347	2 ft/ 1-lamp	single ended	120-277/50-60 347 / 60
NFL4232/UNV	4 ft/2-lamp	32W T8 rapid start	120 / 60 120-277/50-60
NFL4240/120		34W T12	120 / 60
NFL4240/277		"F40 Style"	277 / 60
NFL4240/347	4ft/2-lamp	rapid start	347 / 60
N2FL4232/UNV		32W T8	
N2FL4232/347	4ft/2-lamp	rapid start	347 / 60

Certifications and Complies:

- UL Listed 844
- cUL
- Wet locations
- 4X

Luminaire: All NFL Luminaires

Candlepower Distribution Curve (in Candelas)



Candelas		
Angle	Along	Across
0°	1049	1049
10°	1034	1056
20°	978	1071
30°	866	1075
40°	762	1027
50°	606	939
60°	416	838
70°	228	723
80°	92	549
90°	17	363
100°	19	243
110°	10	131
120°	5	46
130°	4	20
140°	4	9
150°	4	3
160°	4	0
170°	0	0
180°	0	0

Zonal Lumens

Zone	Lumens
0-30	862
0-40	1462
0-60	2778
0-90	4130
0-180	4499

Photometric data, developed using two (2) F32T8/35K 2850 lumen lamps, represents the performance of all NFL series luminaires.

- Coefficient of Utilization – These values are for all NFL series luminaires (Do not use multipliers).
- Candlepower Distribution Curve (in candelas) and Zonal Lumens – These values are for all NFL series luminaires, adjusted by conversion factors (multipliers) below.

Example:

- Candlepower at 20° across for NFL4232 using two (2) F32T/35K lamps (5700 lumen total) is 1071 candelas.
- Candlepower at 20° across for NFL2140 using one (1) T5 compact lamp (3100 lumen total) is 1071 x .55 = 589 candelas.

Luminaire Series	Lamp		Type (Lumens ea.)	Conversion Factor (multipliers)
	Qty	Watts		
NFL2140	2	32	F32T8/35K (2850)	1.0
NFL4232	2	34	F40T12/RS (2650)	0.93
NFL4240	1	40	T5 Compact (3150)	0.55

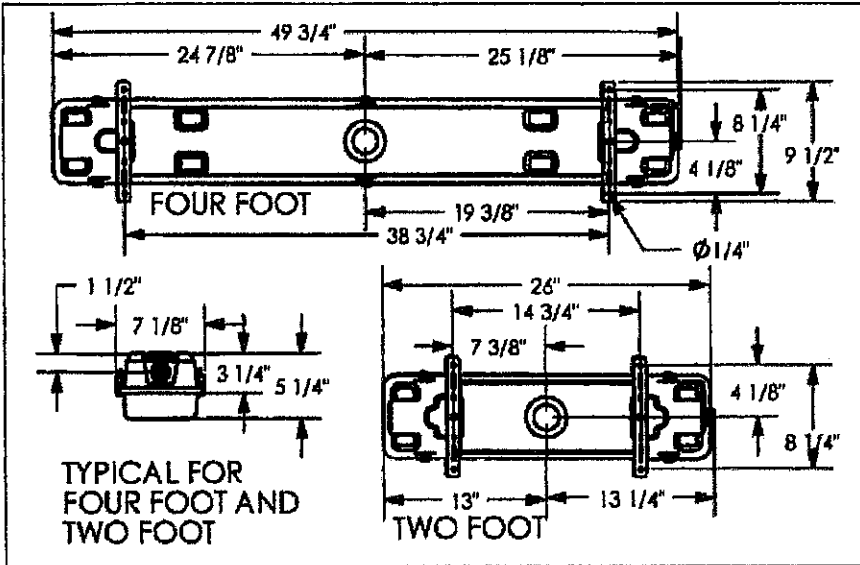
Coefficient of Utilization: For all NFL Series Light Luminaires

Effective Floor Cavity Reflectance 20%

% Reflectance Eff. Ceiling	Wall	Room Cavity Ratio									
		1	2	3	4	5	6	7	8	9	10
80	70	.83	.75	.68	.62	.56	.51	.47	.44	.40	.37
	50	.78	.67	.59	.52	.45	.40	.36	.32	.29	.26
	30	.74	.61	.52	.44	.38	.33	.29	.25	.22	.20
	10	.71	.56	.46	.39	.32	.28	.24	.20	.17	.15
70	70	.80	.72	.65	.59	.54	.49	.46	.42	.39	.36
	50	.76	.65	.57	.50	.44	.39	.35	.31	.28	.26
	30	.72	.60	.51	.43	.37	.32	.28	.25	.22	.19
	10	.69	.55	.46	.38	.32	.27	.23	.20	.17	.15
50	50	.71	.61	.54	.47	.42	.37	.33	.30	.27	.24
	30	.68	.57	.48	.42	.35	.31	.27	.24	.21	.19
	10	.66	.53	.44	.37	.31	.26	.23	.20	.17	.15
	0	.63	.54	.48	.42	.37	.33	.29	.25	.22	.19
30	50	.67	.58	.51	.45	.39	.35	.32	.28	.25	.23
	30	.65	.54	.46	.40	.34	.30	.26	.23	.20	.18
	10	.62	.51	.42	.36	.30	.26	.22	.19	.16	.14
	0	.63	.54	.48	.42	.37	.33	.30	.27	.24	.22
10	50	.61	.51	.44	.38	.33	.29	.25	.22	.19	.17
	30	.59	.48	.41	.35	.29	.25	.22	.18	.16	.14
	10	.59	.48	.41	.35	.29	.25	.22	.18	.16	.14
	0	.57	.46	.39	.33	.27	.23	.20	.17	.14	.12



Dimensions:



Net Luminaire Weights

Luminaire Series	Weight (lbs.)
NFL2140	9.1
NFL4232	14.3
NFL4240	14.3

Temperature Performance Data:

Cat. No.	Watts	Ambient Temp. °C	Lamp Type	Supply Wire Temp. °C	Class I, Div. 2 Temp. Rating	Class II Temp. Rating	Simultaneous Presence Class I, Div. 2
NFL4232	32	40	T8	60	T6	-	-
NFL4232	32	55	T8	75	T5	-	-
NFL4240	34	40	T12	60	T8	-	-
NFL4240	34	55	T12	75	T5	-	-
NFL2140	40	40	T12	60	T6	-	-
NFL2140	40	55	T12	75	T5	-	-

6L**NFL Series
Fluorescent
Luminaires**Higher Ambient Suitability: 55°C
Cold Weather Start (32W T8 Lamps)
Cl. I, Div. 2, Groups A, B, C, D
Cl. I, Zone 2, Group IICWet Locations
3, 3R, 4, 4X

HDT RWRF TYPE B1 NFL4232/UNV 12/6/11

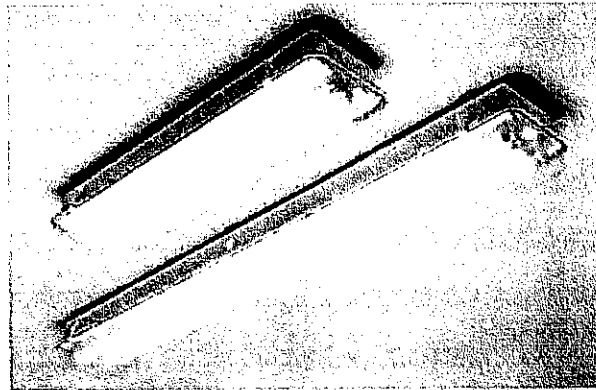
Applications:

The NFL Light Luminaires are used:

- In hazardous locations where dust, dirt, combustible vapors, smoke, fumes, moisture, corrosive, and wet conditions are present
- Where lamps may be broken due to physical abuse or movable equipment, such as in manufacturing areas or warehouses
- Where cleanliness and sanitation are prime factors such as in dairies, canneries, food processing plants, bottling plants, and laboratories
- In dock areas for protection against salt spray
- In areas where low mounting height and the even light distribution associated with a line type light source are required

Key Features:

- UL, cUL Listed for Class I, Division 2, Groups A, B, C, D areas with ambient suitability of 40°C (104°F) and 55°C (131°F) ambient suitability
- NEMA 4X with Myers Hubs and threaded metal plug (furnished)
- Non-metallic construction enclosure is corrosion-resistant
- Continuous form-in-place gasket ensures dust-tight, moisture-tight, and wet locations integrity
- Molded-in-place mounting studs – eliminate the need of bracket gaskets
- Standard construction includes:
S.S. mounting brackets
Electronic ballast
Cold weather ballast (4' F32 T8)
- S.S. mounting bracket combination ceiling and chain
- S.S. mounting brackets provide superior corrosion resistance
- Electronic ballast for energy efficiency
- Cold Weather Ballast (4' F32 T8)
- Two ½" conduit Myers Hubs for end and feed through wiring simplify installation and wiring
- Full metal fixture interior provides improved photometrics as well as access to and concealment of ballast and wiring
- Provisions (drill mark) on 4 ft. unit to field drill for pendant mounting for application and installation flexibility

**Standard Materials:**

- Housing – non-metallic, one piece fiberglass-reinforced polyester
 - Latches – Calcon™ acetal plastic
 - Lens – acrylic plastic
 - Gaskets – seamless thermoset polyurethane
 - Mounting Bracket – stainless steel
- Celecon™ is a trade name of Hoechst Celanese.

Standard Finishes:

- Fiberglass housing – white
- Acrylic plastic lens – crepe pattern

Options:

Description	Suffix
• Fused (not suitable for marine applications).....	S658
• Factory assembled with lamps installed.....	FA
• Battery back-up emergency ballast† (NFL 2140 and NFL 4232 only)....	S799*
• Increased impact-resistant lens (acrylic crepe pattern)..	DR1295046*
• Stainless steel latches	S863*
• Tamperproof latches.....	S861*

†For non-hazardous locations.

*UNV voltages: 120, 208, 230, 240, 277, 50-60 Hz.

Temperature Performance Data:

Ambient temperature range suitability: °C

Two lamp, 32W T8, 4 ft luminaire	-18°C to 55°C
All others	0°C to 55°C
Supply wire	75°C min.

Ordering Information:

Luminaire Cat. #	Size/# of Lamp(s)	Wattage/ Lamp type	Voltage/Hz
NFL2140/UNV		40W T5 compact	120 / 60
NFL2140/347	2 ft/ 1-lamp	single ended	120-277/50-60 347 / 60
NFL4232/UNV	4 ft/2-lamp	32W T8 rapid start	120 / 60 120-277/50-60
NFL4240/120		34W T12	120 / 60
NFL4240/277	4ft/2-lamp	*F40 Style"	277 / 60
NFL4240/347		rapid start	347 / 60
N2FL4232/UNV	4ft/2-lamp	32W T8 rapid start	347 / 60
N2FL4232/347			

Ratings (Electrical/Size):

Sources/Wattage: luminaires are for use with the following lamps

- NFL2140
one 40 W long twin tube
- NFL4232
two 32W T8 lamps
- NFL4240
two 34W "F40 Style" T12 lamps

Voltages

- 120V 60Hz
- 120 – 277V, 50 – 60 Hz
- 347V 60 Hz

Conduit Entries

- Two ½" inch Myers hubs, one on each end

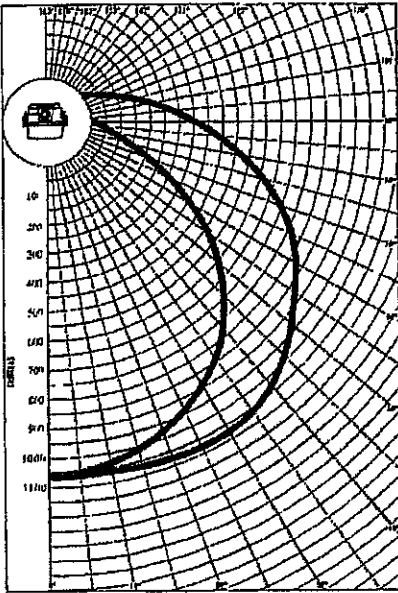
6L

**Certifications and
Compliances:**

- UL Listed 844
- cUL
- Wet locations
- 4X

Luminaire: All NFL Luminaires

Candlepower Distribution Curve (in Candelas)



Candelas		
Angle	Along	Across
0°	1049	1049
10°	1034	1056
20°	978	1071
30°	866	1075
40°	762	1027
50°	606	939
60°	416	838
70°	228	723
80°	92	549
90°	17	363
100°	19	243
110°	10	131
120°	5	46
130°	4	20
140°	4	9
150°	4	3
160°	4	0
170°	0	0
180°	0	0

Zonal Lumens

Zone	Lumens
0-30	862
0-40	1462
0-60	2778
0-90	4130
0-180	4499

Photometric data, developed using two (2) F32T8/35K 2850 lumen lamps, represents the performance of all NFL series luminaires.

- Coefficient of Utilization - These values are for all NFL series luminaires (Do not use multipliers).
- Candlepower Distribution Curve (in candelas) and Zonal Lumens - These values are for all NFL series luminaires, adjusted by conversion factors (multipliers) below.

Example:

- Candlepower at 20° across for NFL4232 using two (2) F32T/35K lamps (5700 lumen total) is 1071 candelas.
- Candlepower at 20° across for NFL2140 using one (1) T5 compact lamp (3100 lumen total) is 1071 x .55 = 589 candelas.

Luminaire Series	Lamp		Type (Lumens ea.)	Conversion Factor (multipliers)
	Qty	Watts		
NFL2140	2	32	F32T8/35K (2850)	1.0
NFL4232	2	34	F40T12/RS (2650)	0.93
NFL4240	1	40	T5 Compact (3150)	0.55

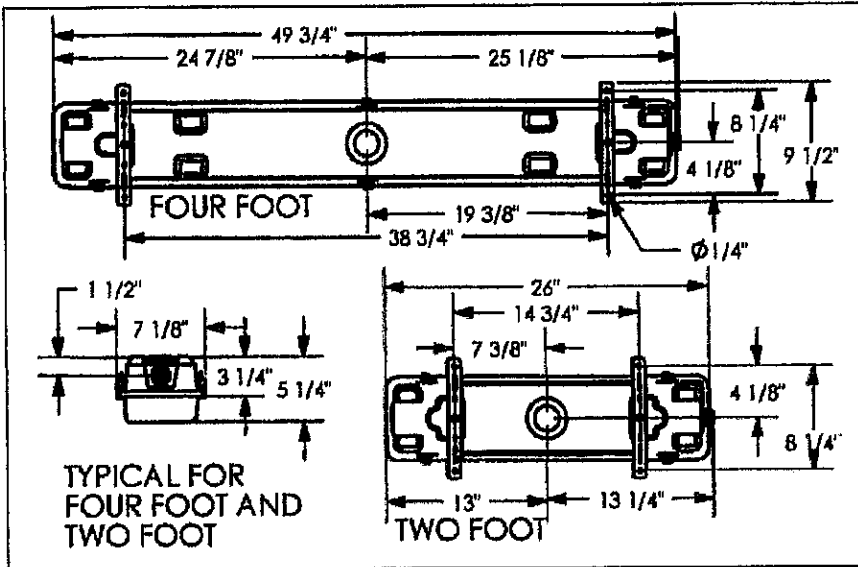
Coefficient of Utilization: For all NFL Series Light Luminaires

Effective Floor Cavity Reflectance 20%

% Reflectance Eff. Ceiling	Wall	Room Cavity Ratio									
		1	2	3	4	5	6	7	8	9	10
80	70	.83	.75	.68	.62	.56	.51	.47	.44	.40	.37
	50	.78	.67	.59	.52	.45	.40	.36	.32	.29	.26
	30	.74	.61	.52	.44	.38	.33	.29	.25	.22	.20
	10	.71	.56	.46	.39	.32	.28	.24	.20	.17	.15
70	70	.80	.72	.65	.59	.54	.49	.46	.42	.39	.36
	50	.76	.65	.57	.50	.44	.39	.35	.31	.28	.26
	30	.72	.60	.51	.43	.37	.32	.28	.25	.22	.19
	10	.69	.55	.46	.38	.32	.27	.23	.20	.17	.15
50	50	.71	.61	.54	.47	.42	.37	.33	.30	.27	.24
	30	.68	.57	.48	.42	.35	.31	.27	.24	.21	.19
	10	.66	.53	.44	.37	.31	.26	.23	.20	.17	.15
	0	.67	.58	.51	.45	.39	.35	.32	.28	.25	.23
30	50	.67	.58	.51	.45	.39	.35	.32	.28	.25	.23
	30	.65	.54	.46	.40	.34	.30	.26	.23	.20	.18
	10	.62	.51	.42	.36	.30	.26	.22	.19	.16	.14
	0	.63	.54	.48	.42	.37	.33	.30	.27	.24	.22
10	50	.63	.54	.48	.42	.37	.33	.30	.27	.24	.22
	30	.61	.51	.44	.38	.33	.29	.25	.22	.19	.17
	10	.59	.48	.41	.35	.29	.25	.22	.18	.16	.14
	0	.57	.46	.39	.33	.27	.23	.20	.17	.14	.12

6L

Dimensions:



Net Luminaire Weights

Luminaire Series	Weight (lbs.)
NFL2140	9.1
NFL4232	14.3
NFL4240	14.3

Temperature Performance Data:

Cat. No.	Watts	Ambient Temp. °C	Lamp Type	Supply Wire Temp. °C	Class I, Div. 2 Temp. Rating	Class II Temp. Rating	Simultaneous Presence Class I, Div. 2
NFL4232	32	40	T8	60	T6	-	-
NFL4232	32	55	T8	75	T5	-	-
NFL4240	34	40	T12	60	T6	-	-
NFL4240	34	55	T12	75	T5	-	-
NFL2140	40	40	T12	60	T6	-	-
NFL2140	40	55	T12	75	T5	-	-