



Weaver

CONSTRUCTION MANAGEMENT

3679 S Huron Street, Suite 404 Englewood, Colorado 80110

Phone: (303) 789-4111 FAX: (303) 789-4310

SUBMITTAL TRANSMITTAL

February 23, 2012

Submittal #: 02709-004.A

PROJECT: **Harold Thompson Regional WRF**
Birdsall Rd.
Fountain, CO 80817
Job No. 2908

ENGINEER: **GMS, Inc.**
611 No. Weber St., #300
Colorado Springs, CO 80903
719-475-2935 Roger Sams

OWNER: **Lower Fountain Metropolitan
Sewage Disposal District**
901 S. Santa Fe Ave.
Fountain, CO 80817
719-382-5303 James Heckman

CONTRACTOR: **Firebaugh Precast, Inc.**
719-392-9036
mheim@firebaughprecast.com

SUBJECT: Resubmittal for Valve Access Manholes (MH-1 & MH-6)

SPEC SECTION: 02709

PREVIOUS SUBMISSION DATES: 2/15/12

DEVIATIONS FROM SPEC: ___ YES x NO

CONTRACTOR'S STAMP: This submittal has been reviewed by Weaver Construction Management and, unless indicated otherwise, has been found to be in conformance with the intent of the contract documents.

Contractor's Stamp:

Engineer's Stamp:

Date:

Reviewed by: Jeff Burst

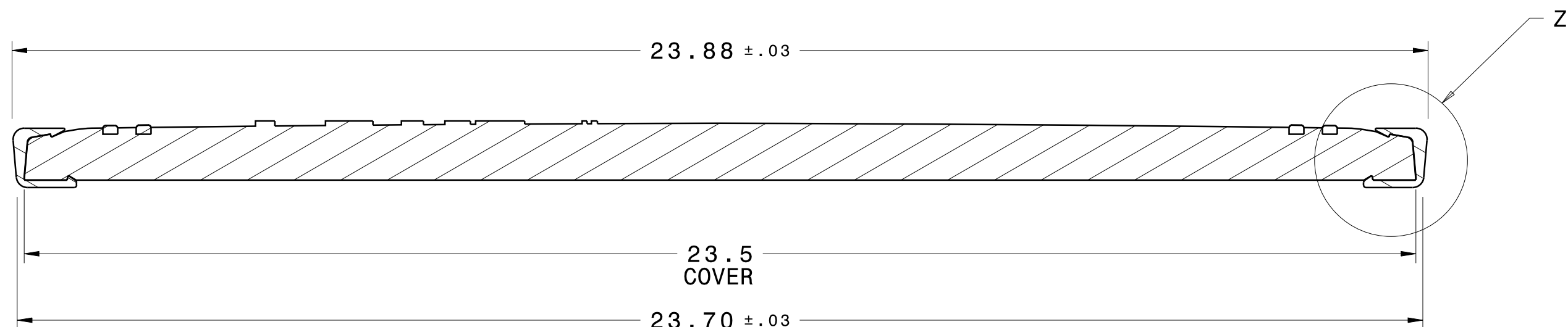
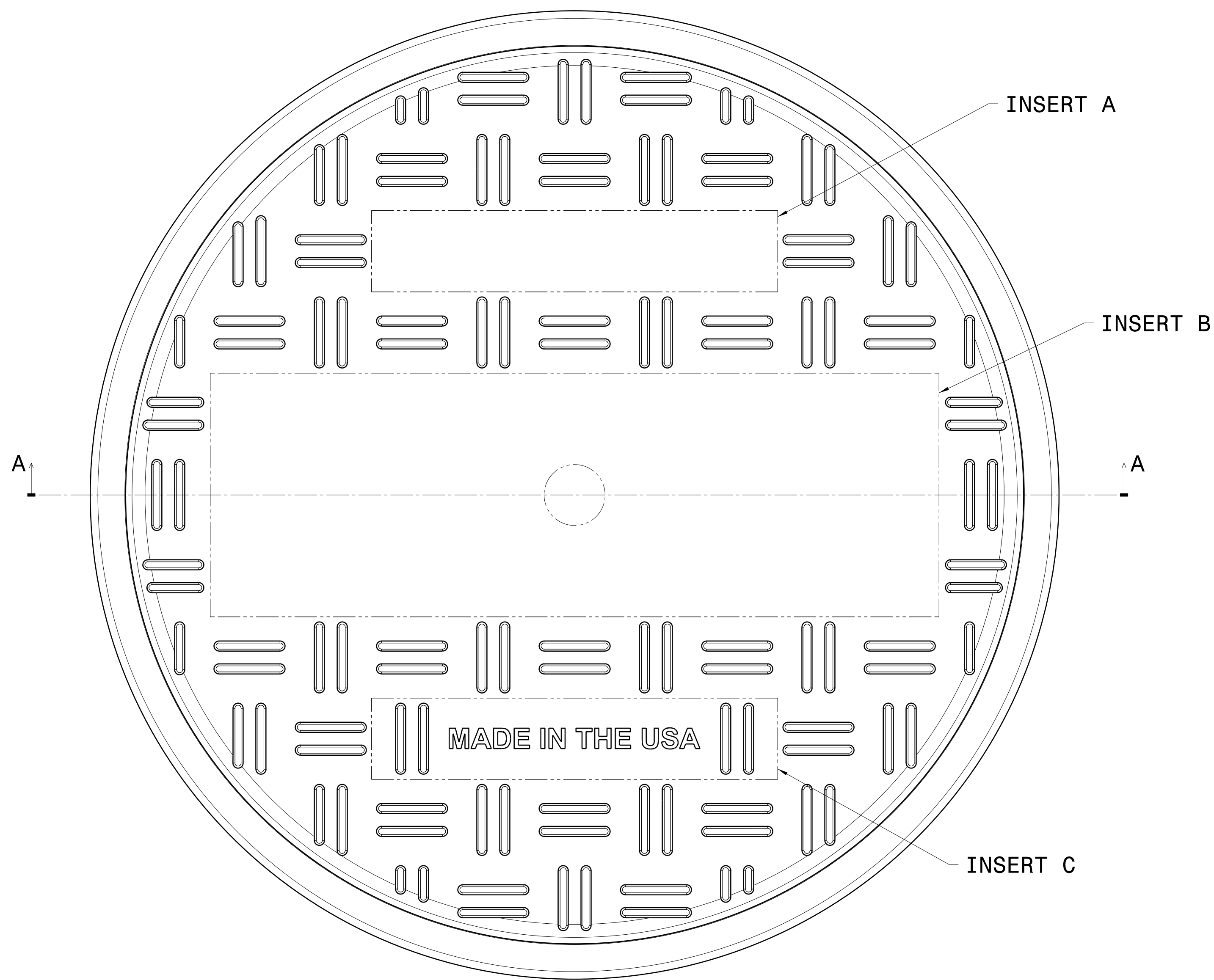
(X) Reviewed Without Comments

() Reviewed With Comments

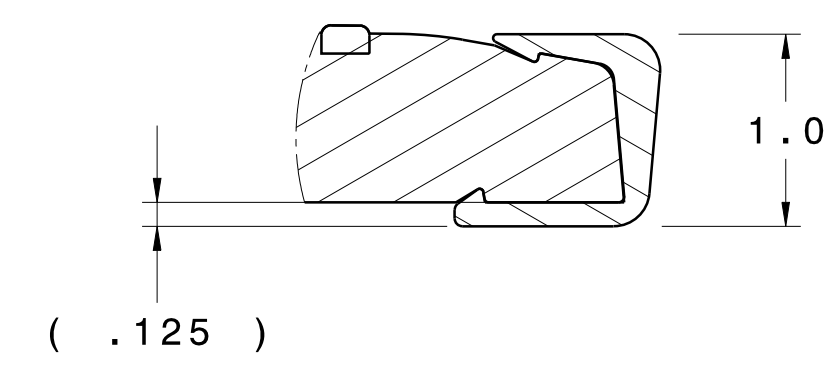
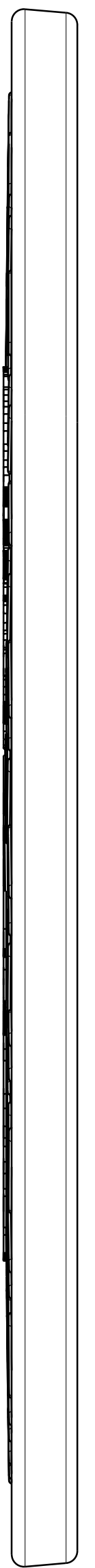
ENGINEER'S
COMMENTS: _____

PART NUMBER	TYPE	LOADING	MATERIAL	COLOR	INSERTS	INSERT QTY.	LOCK	INSERT 'A'	INSERT 'B'	INSERT 'C'
2400-101	MHC	HWY	RTM	GRAY	8-32	3			BROOKLINE WW	MADE IN USA
2400-102	MHC	HWY	RTM	GRAY	8-32	3	MCG		BROOKLINE WW	MADE IN USA
2404-001	MHC	SHD	RTM	BLACK			MAG			MADE IN USA
2404-002	MHC	SHD	RTM	BLACK						MADE IN USA
2404-003	MHC	SHD	RTM	BLACK			MAG			MADE IN USA
2404-004	MHC	SHD	RTM	BLACK						MADE IN USA
2404-005	MHC	SHD	RTM	BLACK			MAG			MADE IN USA
2404-202	MHC	SHD	RTM	BLUE			MAG	RECLAIMED	BROOMFIELD	MADE IN USA
2404-302	MHC	SHD	RTM	LAVENDER			MAG	RECLAIMED	BROOMFIELD	MADE IN USA
2404-303	MHC	SHD	RTM	LAVENDER			MAG		TREAD PATTERN	MADE IN USA
2404-009	MHC	HWY	RTM	BLACK				WATER	CITY OF FARMINGTON	MADE IN USA

REV	DATE	DESCRIPTION	INIT
01	06/10/08	INITIAL RELEASE	XXX
02	12/19/08	ADDED PN# 2404-009	XXX

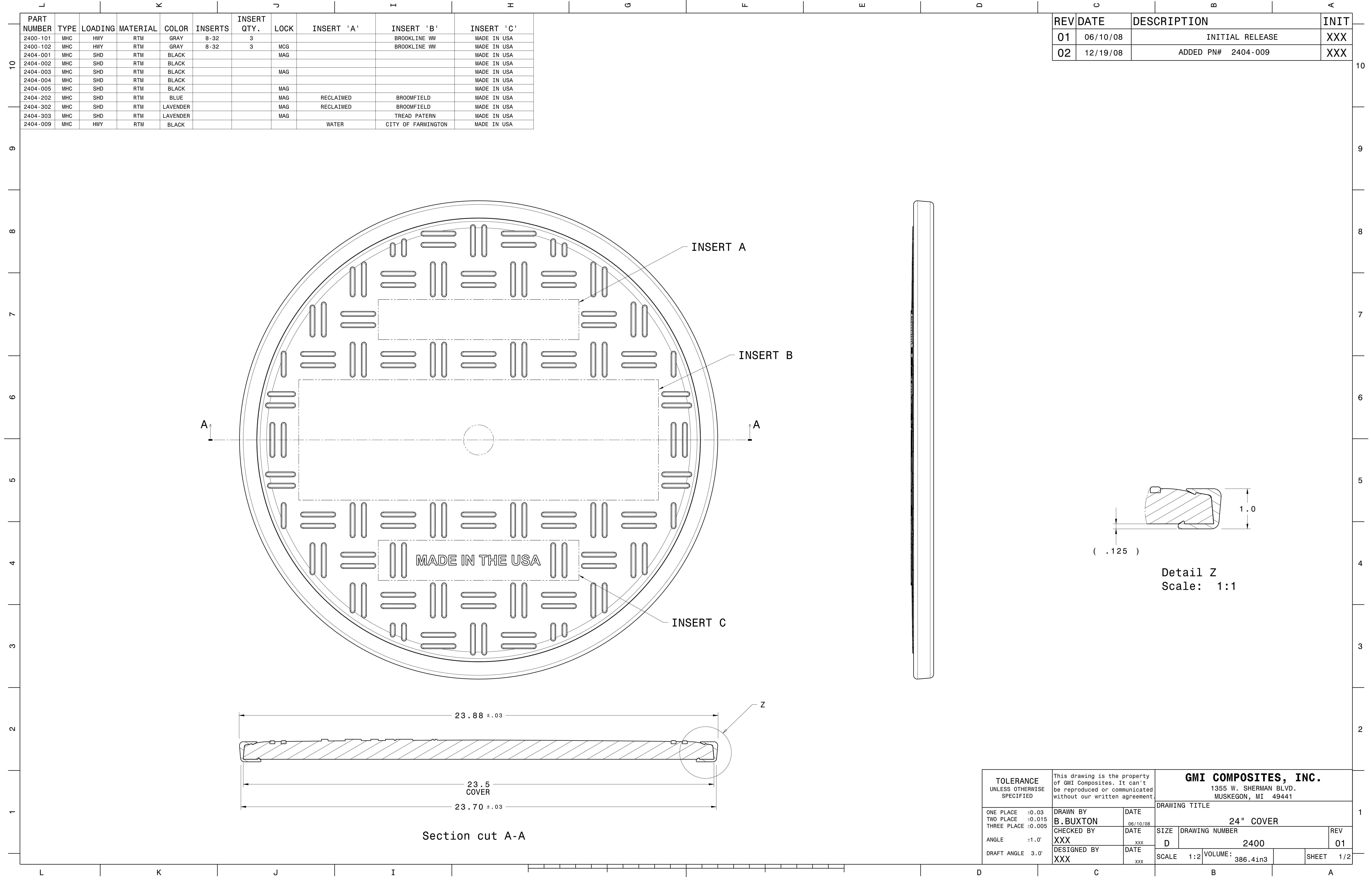


Section cut A-A

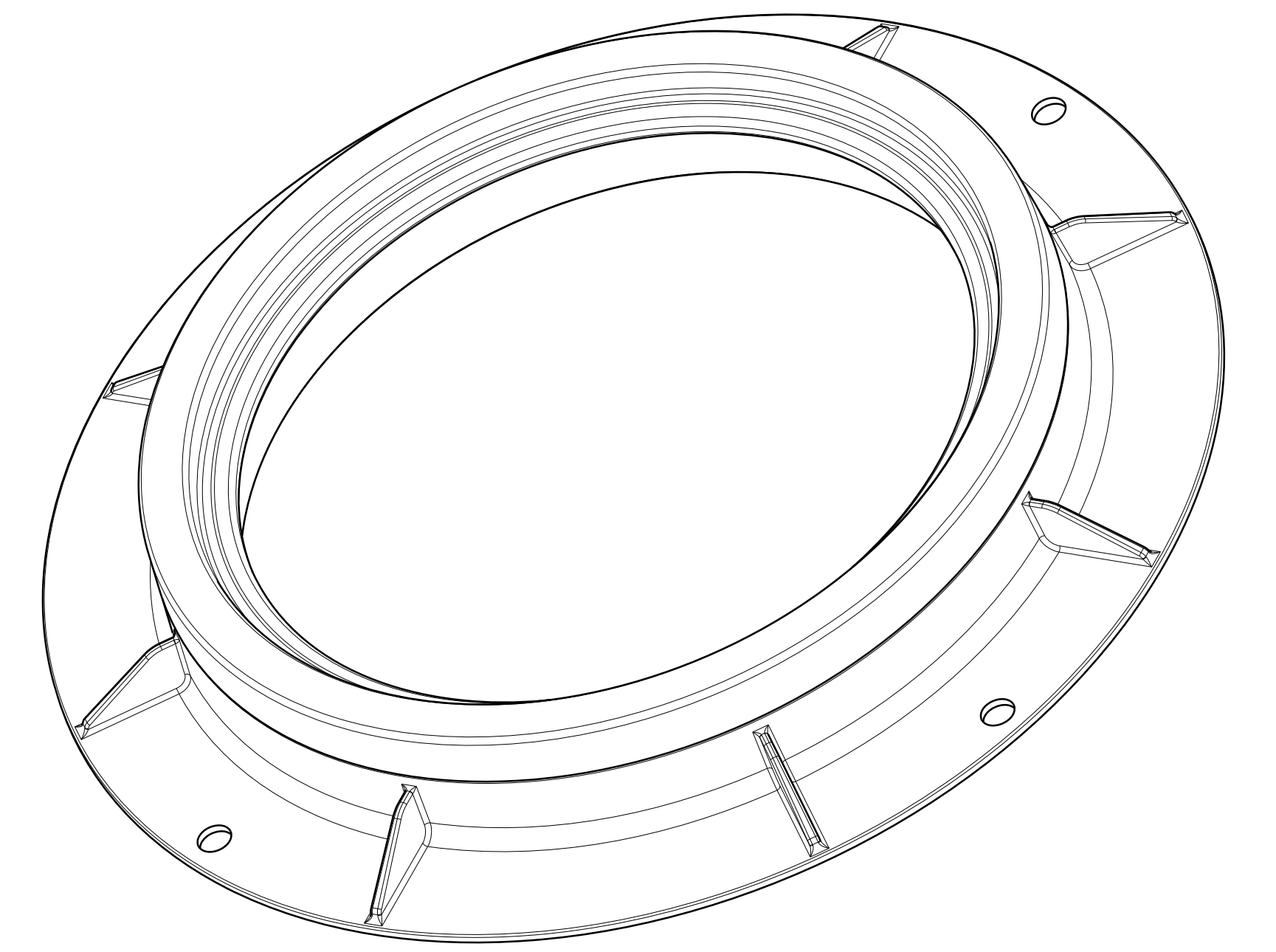
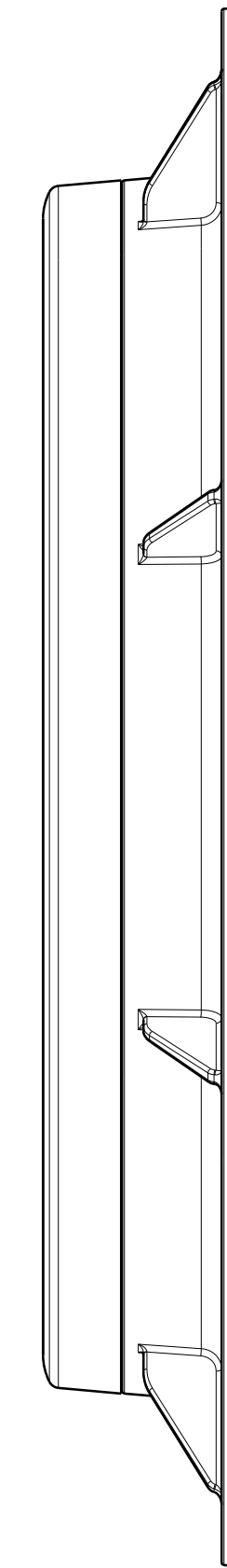
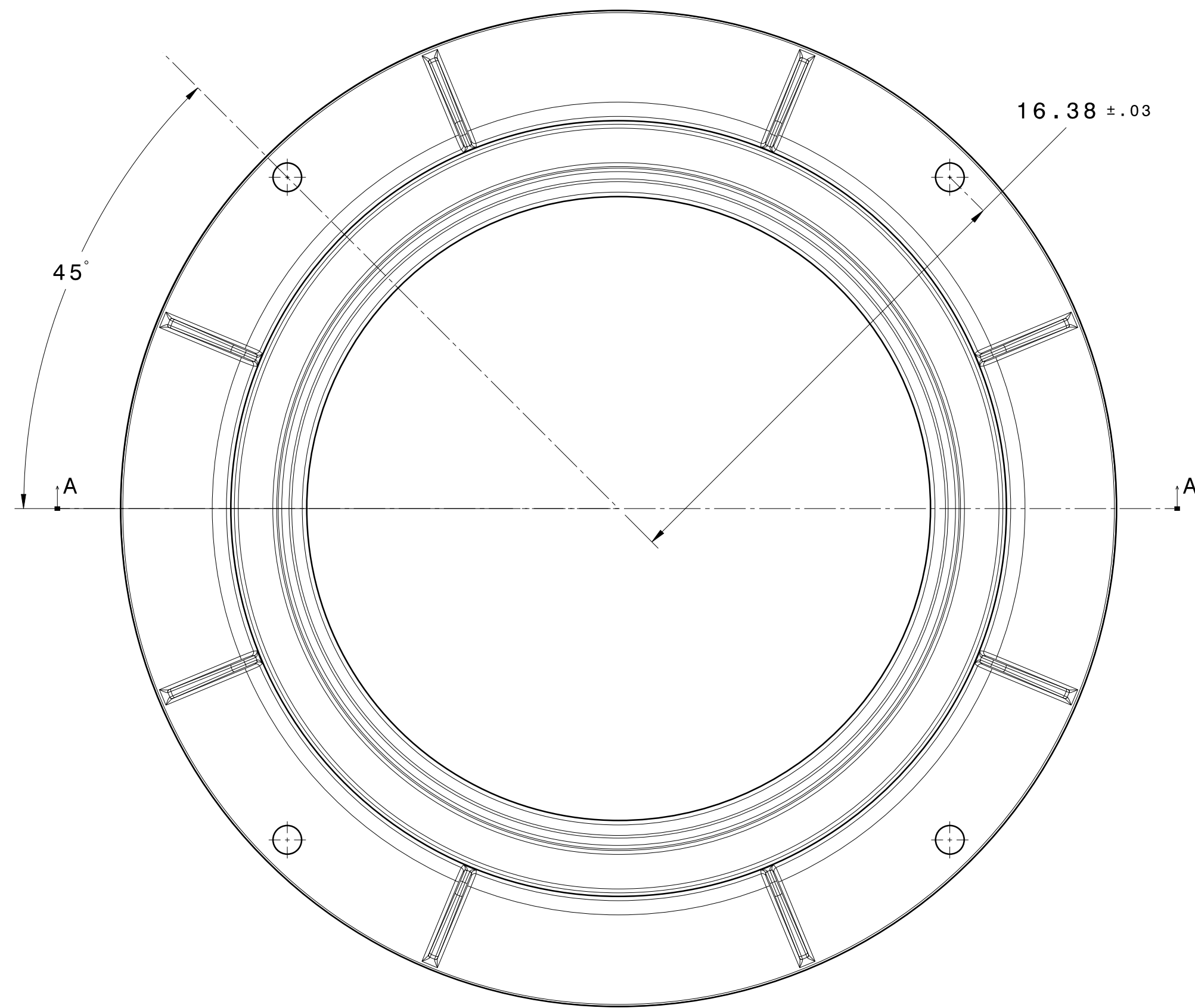


Detail Z
Scale: 1:1

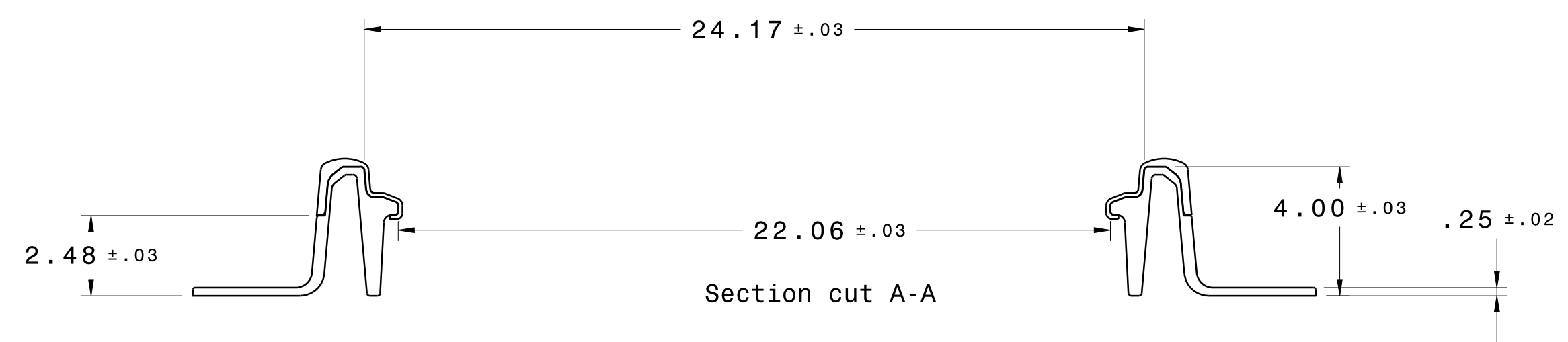
TOLERANCE UNLESS OTHERWISE SPECIFIED ONE PLACE ±0.03 TWO PLACE ±0.015 THREE PLACE ±0.005 ANGLE ±1.0° DRAFT ANGLE 3.0°		This drawing is the property of GMI Composites. It can't be reproduced or communicated without our written agreement.		GMI COMPOSITES, INC. 1355 W. SHERMAN BLVD. MUSKEGON, MI 49441	
DRAWN BY B. BUXTON		DATE 06/10/08		DRAWING TITLE 24" COVER	
CHECKED BY XXX		DATE xxx		SIZE D	
DESIGNED BY XXX		DATE xxx		DRAWING NUMBER 2400	
				SCALE 1:2 VOLUME: 386.4in3	
				SHEET 1/2	



REV	DATE	DESCRIPTION	INIT
01	06/10/08	INITIAL RELEASE	XXX



Isometric view
Scale: 1:4



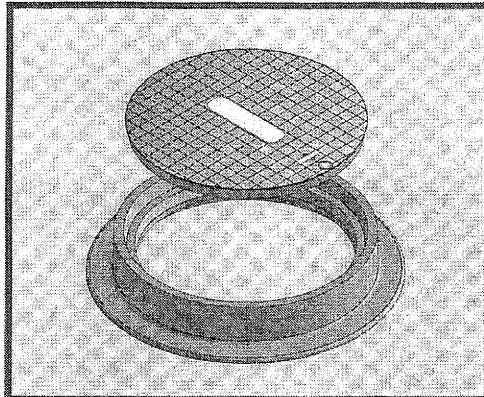
Section cut A-A

TOLERANCE UNLESS OTHERWISE SPECIFIED ONE PLACE ±0.03 TWO PLACE ±0.015 THREE PLACE ±0.005 ANGLE ±1.0° DRAFT ANGLE 3.0°	This drawing is the property of GMI Composites. It can't be reproduced or communicated without our written agreement.		GMI COMPOSITES, INC. 1355 W. SHERMAN BLVD. MUSKEGON, MI 49441		
	DRAWN BY B. BUXTON	DATE 06/10/08	DRAWING TITLE 24" FRAME		
	CHECKED BY XXX	DATE XXX	SIZE D	DRAWING NUMBER 2400	REV 01
	DESIGNED BY XXX	DATE XXX	SCALE 1:2	VOLUME:	SHEET 1/2

ALUMINUM

MANHOLE RING AND COVER

MH-550-32 R-AL

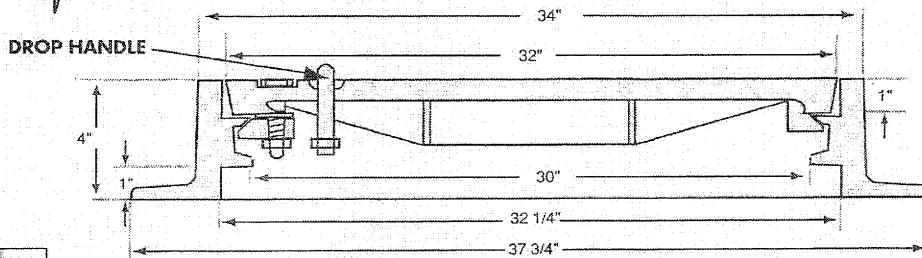
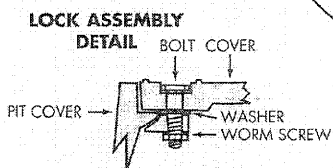
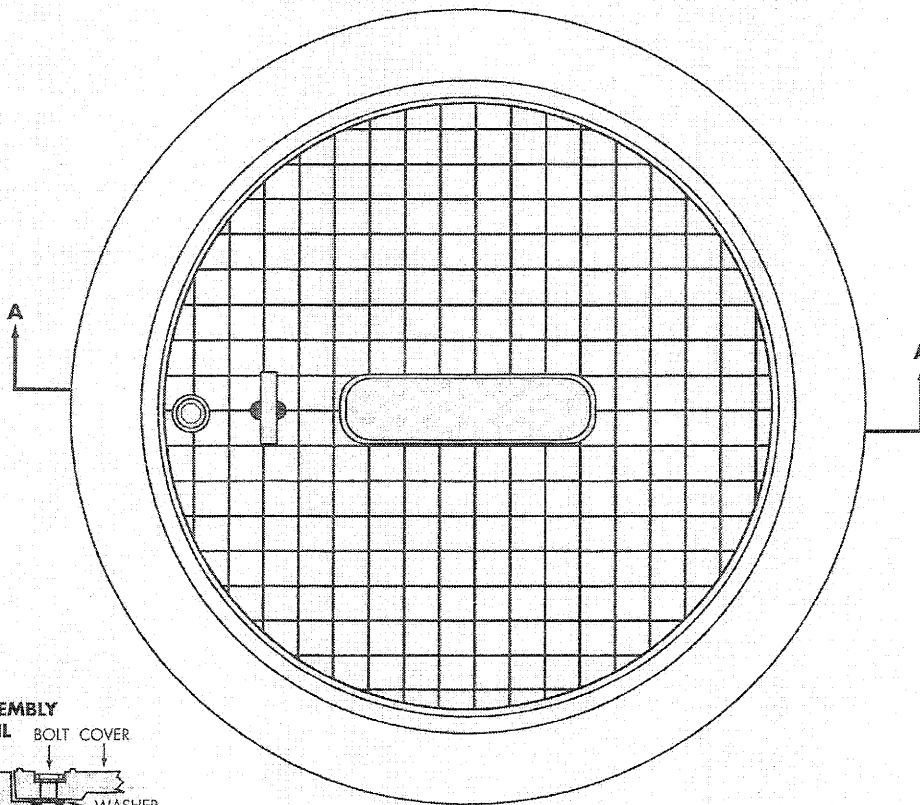


MH55032RAL

APPROXIMATE WEIGHT

COVER 88 lb
RING 75 lb

NOTE:
NAMEPLATES—OPTIONAL
MACHINED LID AND RING SEAT



CASTINGS INC.

860 4TH AVE. • P.O. BOX 669 • GRAND JCT, CO 81502 • 970.243.2032 • FAX 970.242.4962

Job Name: Harold Thompson WRF
 Quote ID: 2012010027

Full 01

Structure ID: **MH-01**

Spec: General
 Type: Sanitary Sewer w/invert
 Size: 72"

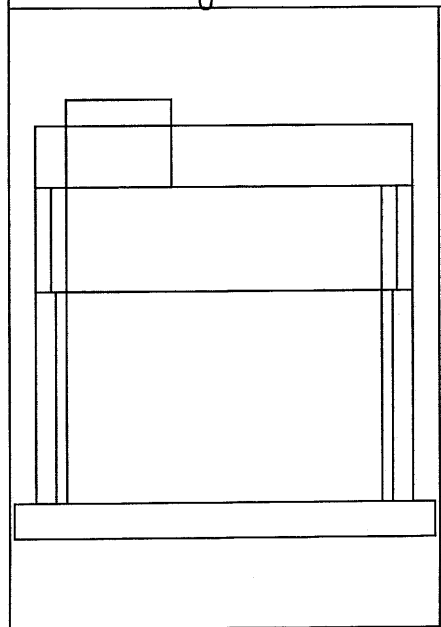
Rim: 24.83'
 Invert: 17.55'
 Catch: 2.004"

Rim to Invert: 7.28'
 Overall Height: 8.334'

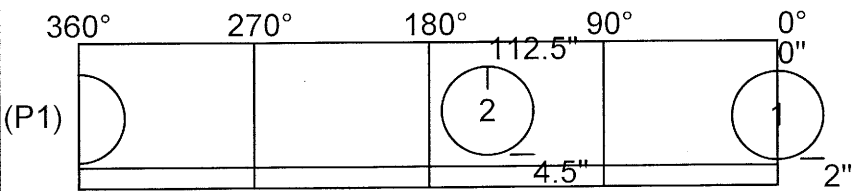
- 1) 24" - Ring & Cover - 4" sewer - *COMPOSITE*
- 1) 72" - H20-Eccentric - H20 w/24" opening
- 1) 72" - Riser - 72"X24"
- 1) 72" - Base w/invert <20" - 72" X 48"
- 2) 72" - 1 1/2" CS-102 - Sealant
- 2) 30" - PSX - 34B

NO STEPS

	Position	Elev	Angle	Pipe	Connector
	Rim	24.83'			
	Reducer				
	Invert 1	17.55'	0°	30" CI/DI	30" PSX 34B
	Invert 2	17.75'	150°	30" CI/DI	30" PSX 34B
	Invert 3				
	Invert 4				
	Invert 5				
	Invert 6				
	Invert 7				
	Invert 8				



OUTSIDE WALL DIMENSIONS



(P1) - 72" - Base w/invert <20" - 72" X 48"

Job Name: Harold Thompson WRF
 Quote ID: 2012010027

Full 01

Structure ID: **MH-06**

Spec: General
 Type: FLAT Bottom
 Size: 72"

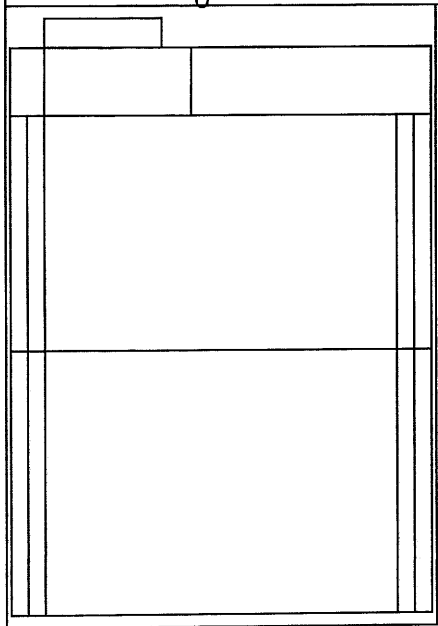
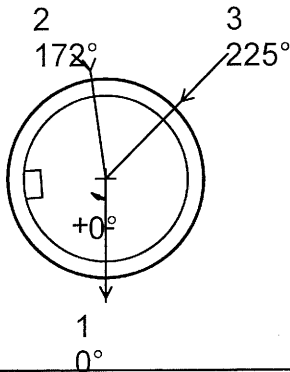
Rim: 106.83'
 Invert: 97'
 Catch: 6"

Rim to Invert: 9.83'
 Overall Height: 10.167'

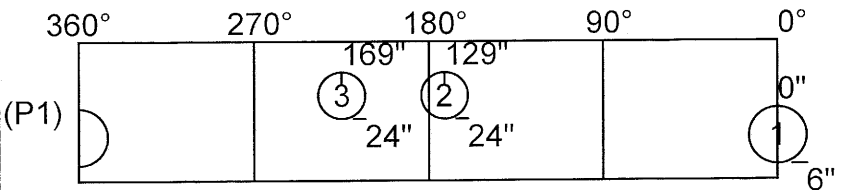
- 1) 24" - Ring & Cover - 4" sewer *ALUMINUM*
- 1) 72" - H20-Eccentric - H20 w/30" opening
- 1) 72" - Riser - 72"X48"
- 1) 72" - Flat Bottom Riser - 72"X54"
- 2) 72" - 1 1/2" CS-102 - Sealant
- 1) 16" - PSX - 22L
- 2) 15" - PSX - 18M

No STEPS

Position	Elev	Angle	Pipe	Connector
Rim	106.83'			
Reducer				
Invert 1	97'	0°	18" CI/DI	16" PSX 22L
Invert 2	98.5'	172°	14" CI/DI	15" PSX 18M
Invert 3	98.5'	225°	14" CI/DI	15" PSX 18M
Invert 4				
Invert 5				
Invert 6				
Invert 7				
Invert 8				

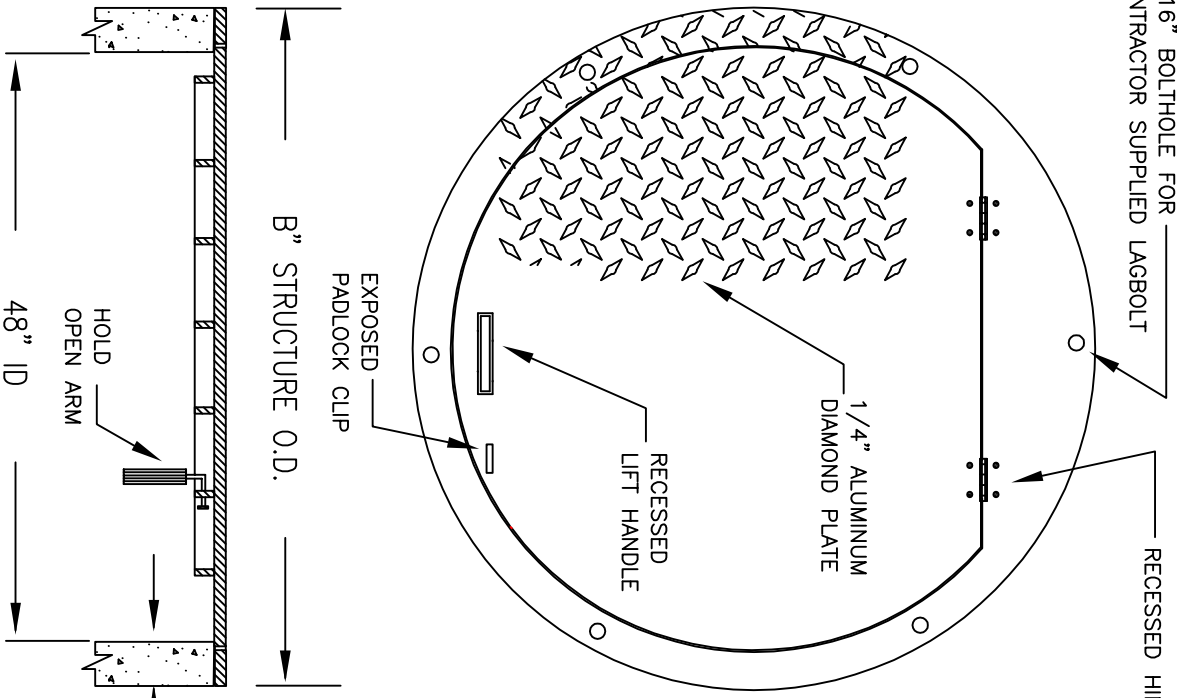


OUTSIDE WALL DIMENSIONS



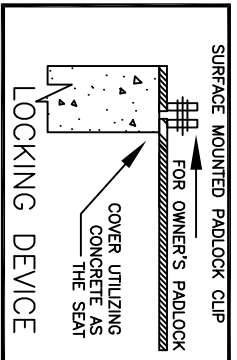
(P1) - 72" - Flat Bottom Riser - 72"X54"

FIELD DRILLED
9/16" BOLT HOLE FOR _____ CONTRACTOR SUPPLIED LAGBOLT

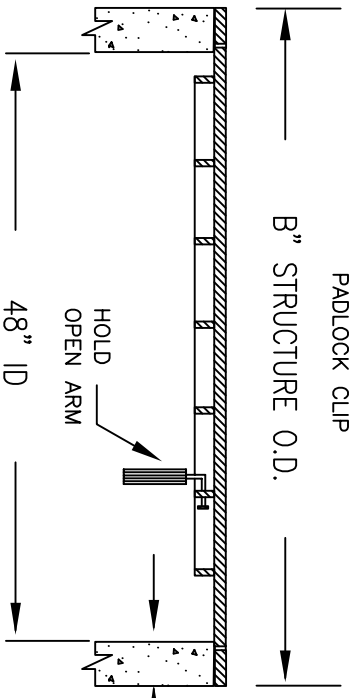


NOTES:

- 1.) STYLE "TB" ACCESS HATCH, AS MANUFACTURED BY SYRACUSE CASTINGS.
- 2.) UNIT DESIGNED TO BE PEDESTRIAN RATED FOR 300 PSF LOADS.
- 3.) UNIT SUPPLIED WITH AN EXPOSED PADLOCK CLIP (SEE DETAIL THIS PAGE)
- 4.) COVER EQUIPPED WITH A HOLD OPEN ARM TO LOCK COVER OPEN IN THE 90 DEGREE POSITION.
- 5.) MATERIAL SHALL BE ALUMINUM.
- 6.) "B" DIMENSION MUST BE SUPPLIED TO HATCH MANUFACTURER BEFORE FABRICATION CAN BEGIN.
- 8.) TOP OF CONCRETE MUST BE SMOOTH TO ALLOW COVER TO UTILIZE CONCRETE AS THE SEAT (SEE DETAIL).
- 9.) DUE TO PLATE SIZE LIMITATIONS, UNIT TOP COVER WILL BE SPLICE-WELDED TOGETHER TO FORM ONE SINGLE PIECE OF COVER PLATE.



"B" DIMENSION
SPECIFY WALL THICKNESS



DRAWING NOT TO SCALE

This Document is the proprietary property of Syracuse Castings. It has been furnished upon the condition that it shall not be Released, Duplicated, used or disclosed in whole or in part for any purpose without the express written permission of Syracuse Castings and shall be considered confidential information.

"TB" PEDESTRIAN RATED ALUMINUM
BASIN COVER FOR 48" ID STRUCTURE

DRAWN BY: ROBYN DATE: 2-22-12 DRAW # TB-48ID

Syracuse Castings West
58 SOUTH 1200 WEST
P.O. BOX 488
Better By Design TOOLE, UT 84074-0488
www.syracast.com

TEL: 801-544-5728 FAX: 801-544-9531