



**WEAVER GENERAL CONSTRUCTION COMPANY**  
 3679 S. Huron St., Suite 404  
 Englewood, CO 80110  
 Phone: (303) 789-4111 FAX: (303) 789-4310

**SUBMITTAL TRANSMITTAL**

November 5, 2010  
WGC Submittal No: 03200-002

**PROJECT:** **Harold Thompson Regional WRF**  
 Birdsall Rd.  
 Fountain, CO 80817  
 Job No. 2908

**ENGINEER:** **GMS, Inc.**  
 611 No. Weber St., #300  
 Colorado Springs, CO 80903  
 719-475-2935 Roger Sams

**OWNER:** **Lower Fountain Metropolitan  
 Sewage Disposal District**  
 901 S. Santa Fe Ave.  
 Fountain, CO 80817  
 719-382-5303 James Heckman

**CONTRACTOR:** **Dalco Industries Inc.**  
 3730 Salem Street  
 Denver, CO 80239  
 303-371-3950 Manuel Morales

**SUBJECT:** Digester Aeration Base Slab

**SPEC SECTION:** 03200

**PREVIOUS SUBMISSION DATES:** None

**DEVIATIONS FROM SPEC:** \_\_\_ YES X NO

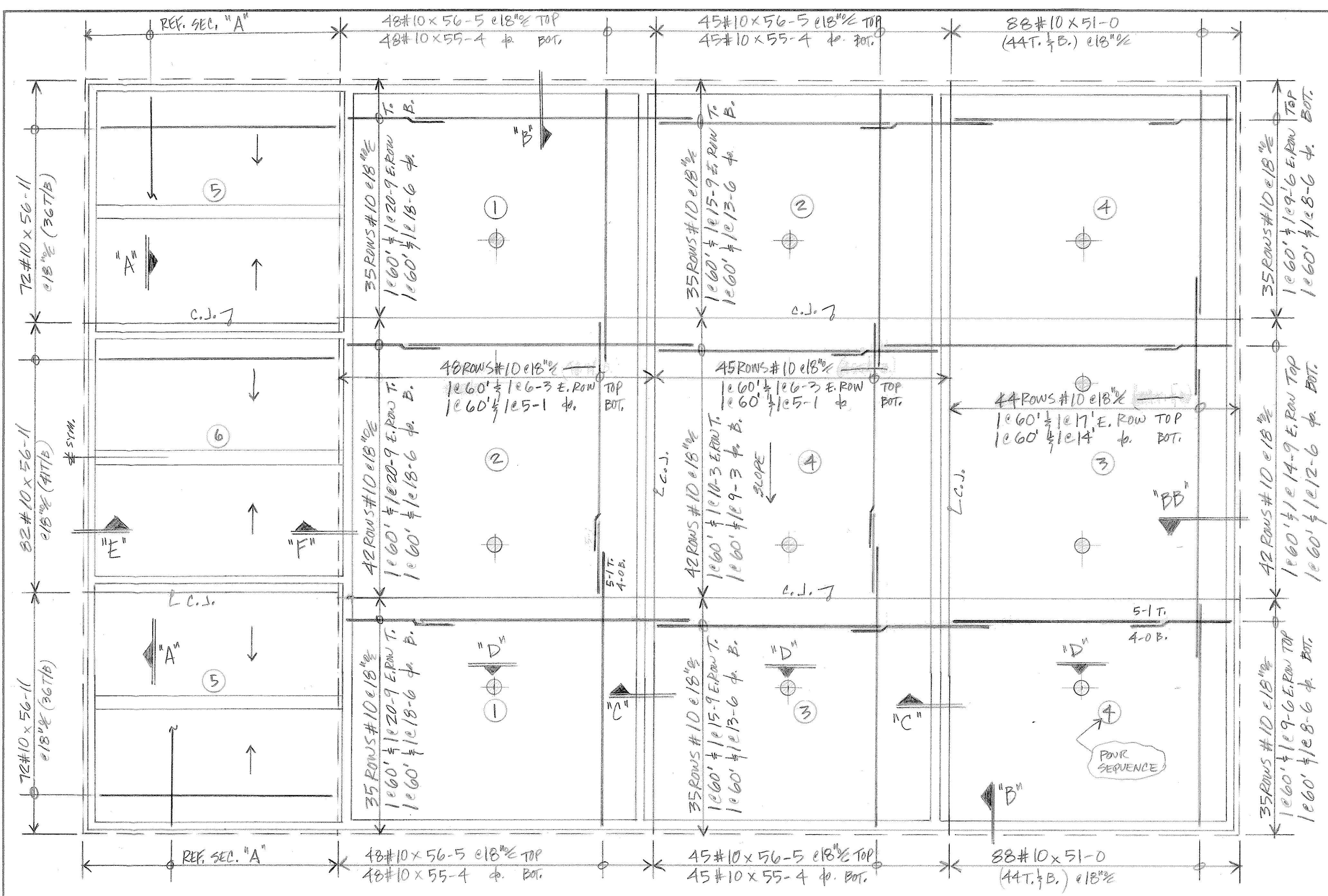
**CONTRACTOR'S STAMP:** This submittal has been reviewed by Weaver General Construction and approved with respect to the means, methods, techniques, & safety precautions & programs incidental thereto. Weaver General Construction also warrants that this submittal complies with contracted documents and comprises on deviations thereto:

Contractor's Stamp:

Engineer's Stamp:

Date: 11/05/10  
 Reviewed by: H.C. Myers  
 ( X ) Reviewed Without Comments  
 ( ) Reviewed With Comments

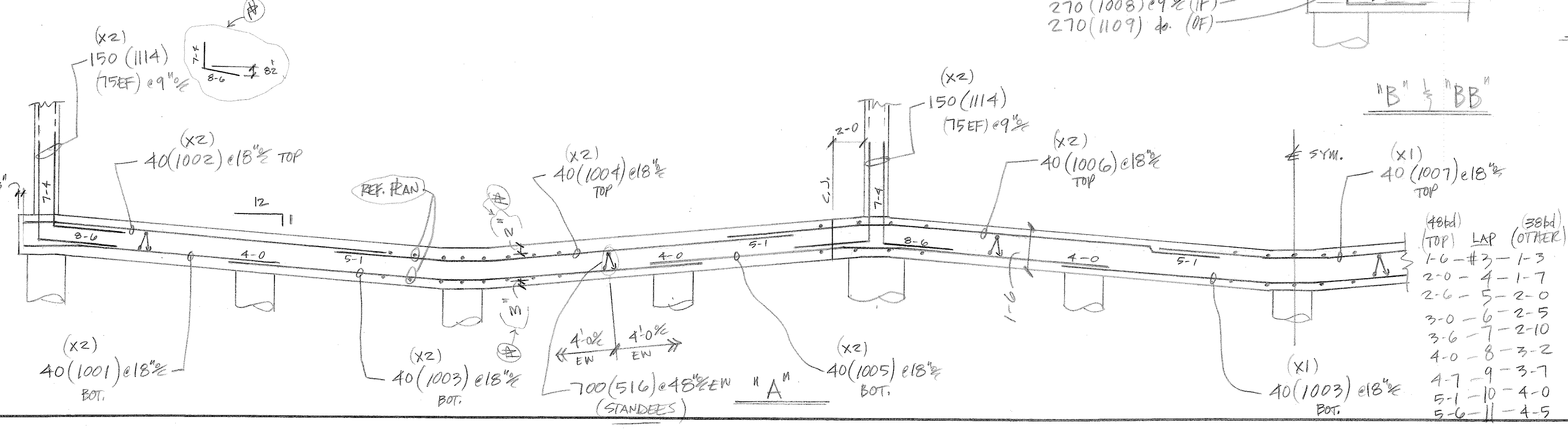
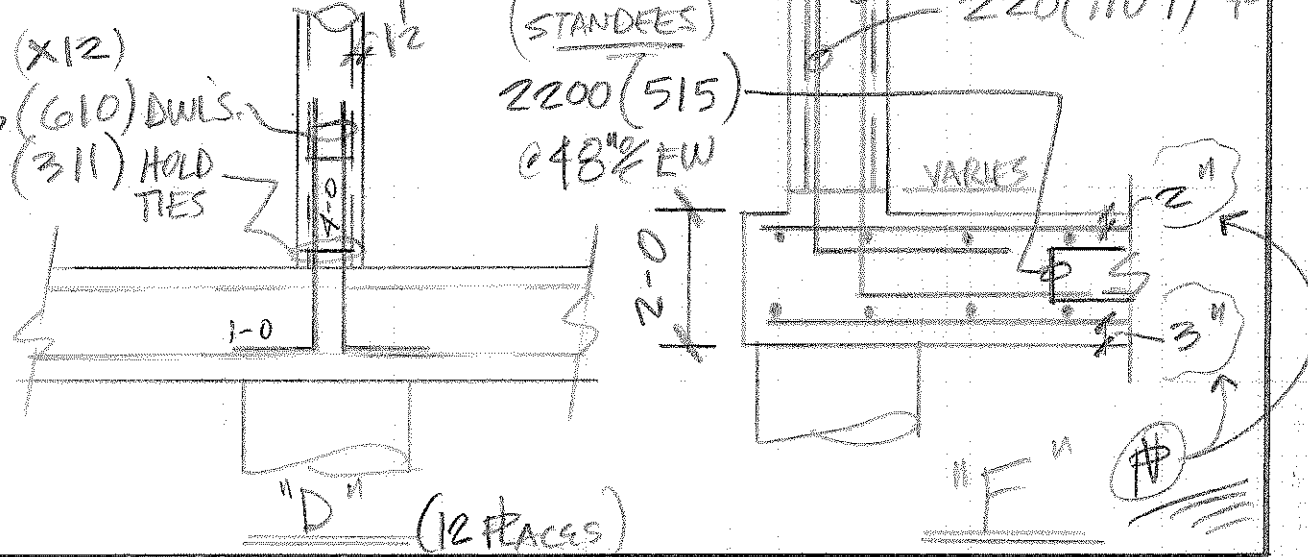
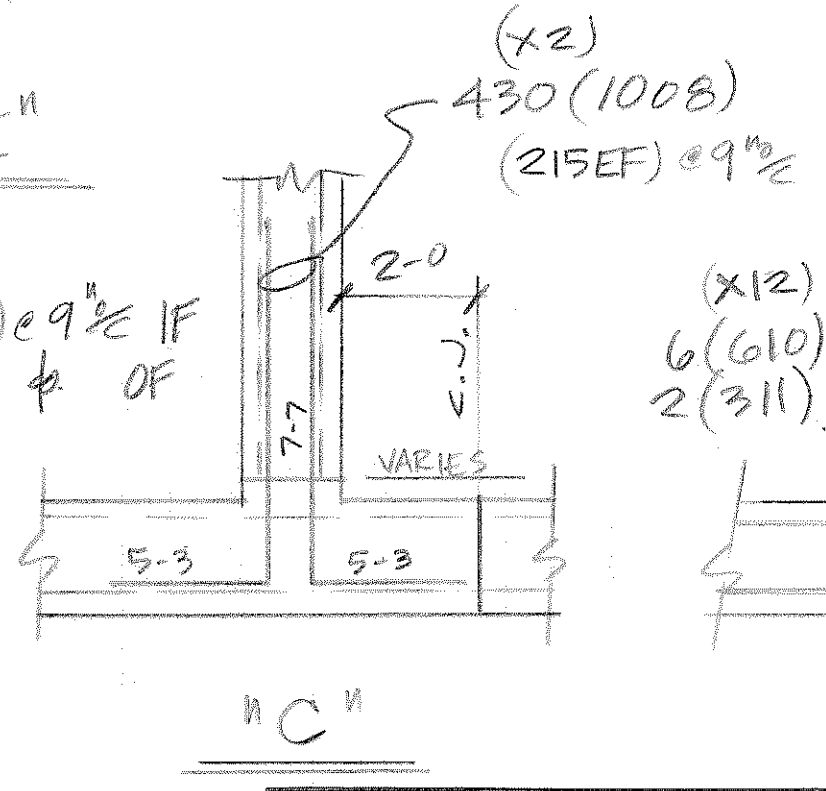
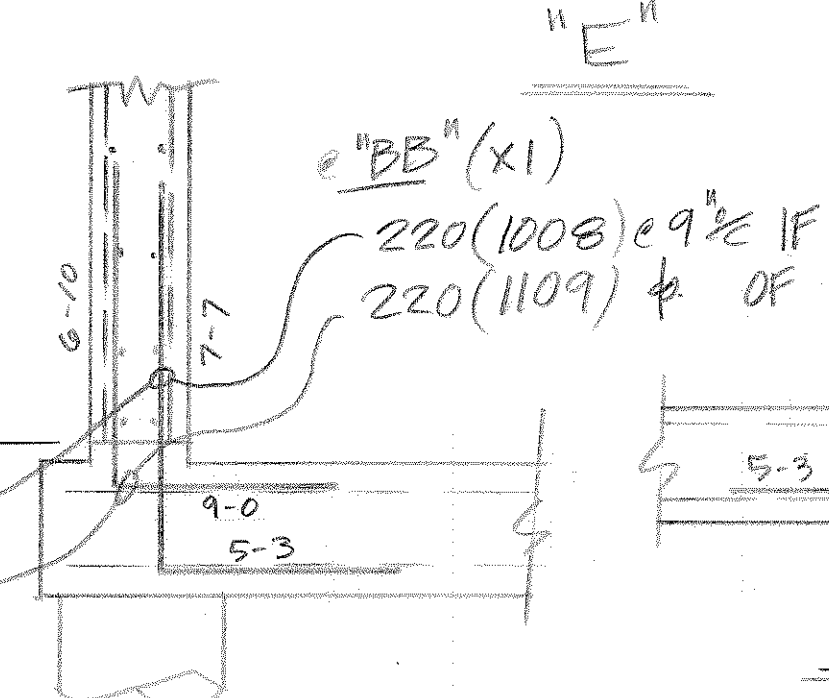
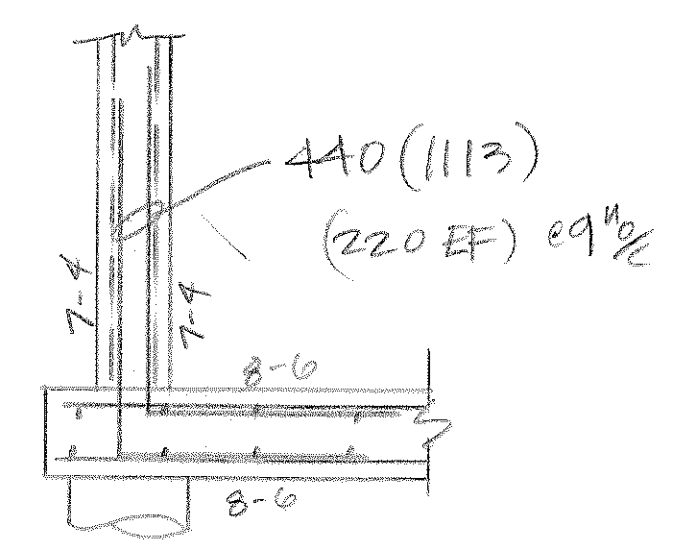
**ENGINEER'S  
 COMMENTS:** \_\_\_\_\_



QTY	SIZE	TYPE	LENGTH FT. - IN.	MARK	SKETCH	A	B	C	D	E	F/R	G	H	K	J	O
10	3		1001				15-0	2-3					0-24	+		
10	3		1002				22-0	2-3					0-24	+		
10	3		1003					15-0	2-9	15-0			1-3	+		
10	22		1004					9-0	3-0	22-0			0-9	1-10		
10	3		1005					15-0	1-9	15-0			1-3	+		
10	22		1006					9-0	1-6	22-0			0-9	1-10		
10	3		1007					9-0	3-0	9-0			0-9	+		
10	17		1008				5-3	7-7								
11	17		1109				6-10	9-0								
6	17		610				1-0	4-0								
3	13		311					3-6				1-3				1-1
7	17		712				1-2	4-8								
11	17		1113				7-4	8-6								
11	3		1114				7-4	8-6						+	0-82	
5	25		515				2-0	+	2-0	+	2-0			1-14	+	
5	25		516				2-0	+	2-0	+	2-0			0-74	+	

NOTE: 60' MAT'L. #10 BAR IN BASE SLAB.

BASE SLAB PLAN NTS



LEGEND

- O.F. - OUTSIDE FACE
- I.F. - INSIDE FACE
- E.F. - EACH FACE
- HORIZ. - HORIZONTAL
- VERT. - VERTICAL
- DWLS. - DOWELS
- FTG. - FOOTING
- ELEV. - ELEVATION
- E.W. - EACH WAY
- T.O.F. - TOP OF FOOTING
- B.O.F. - BOTTOM OF FOOTING
- T.O.W. - TOP OF WALL
- B.O.W. - BOTTOM OF WALL
- GRD. BM. - GRADE BEAM
- NK. - MARK
- MAS. - MASONRY
- DIAG. - DIAGONAL
- COL. - COLUMN
- PROJ. - PROJECTION
- T & B - TOP & BOTTOM
- N.F. - NEAR FACE
- F.F. - FAR FACE
- % - ON CENTER
- @ - AT EACH

NO. DATE ISSUED FOR

**DALCO** INDUSTRIES, INC.  
An Employee Owned Company

AREA CODE 303 371-3950 3730 SALEM ST. DENVER, COLO. 80239

JOB HAROLD D. THOMPSON REG. WATER RECLAIM.

LOCATION FOUNTAIN, CO.

DESCRIPTION BASE SLAB / DIGESTER / AERATION

CONTRACTOR WEAVER CONST.

ARCHITECT G.M.S., INC.

DRAWN: D. TARIN CHECKED: DATE: 11/5/10 REVISIONS: JOB NO. 10082 DRAWING NO. PI