



WEAVER GENERAL CONSTRUCTION COMPANY
 3679 S. Huron St., Suite 404
 Englewood, CO 80110
 Phone: (303) 789-4111 FAX: (303) 789-4310

SUBMITTAL TRANSMITTAL

December 6, 2010
WGC Submittal No: 03200-003

PROJECT: **Harold Thompson Regional WRF**
 Birdsall Rd.
 Fountain, CO 80817
 Job No. 2908

ENGINEER: **GMS, Inc.**
 611 No. Weber St., #300
 Colorado Springs, CO 80903
 719-475-2935 Roger Sams

OWNER: **Lower Fountain Metropolitan
 Sewage Disposal District**
 901 S. Santa Fe Ave.
 Fountain, CO 80817
 719-382-5303 James Heckman

CONTRACTOR: **Dalco Industries Inc.**
 3730 Salem Street
 Denver, CO 80239
 303-371-3950 Manuel Morales

SUBJECT: A-basin wall steel

SPEC SECTION: 03200

PREVIOUS SUBMISSION DATES: None

DEVIATIONS FROM SPEC: ___ YES X NO

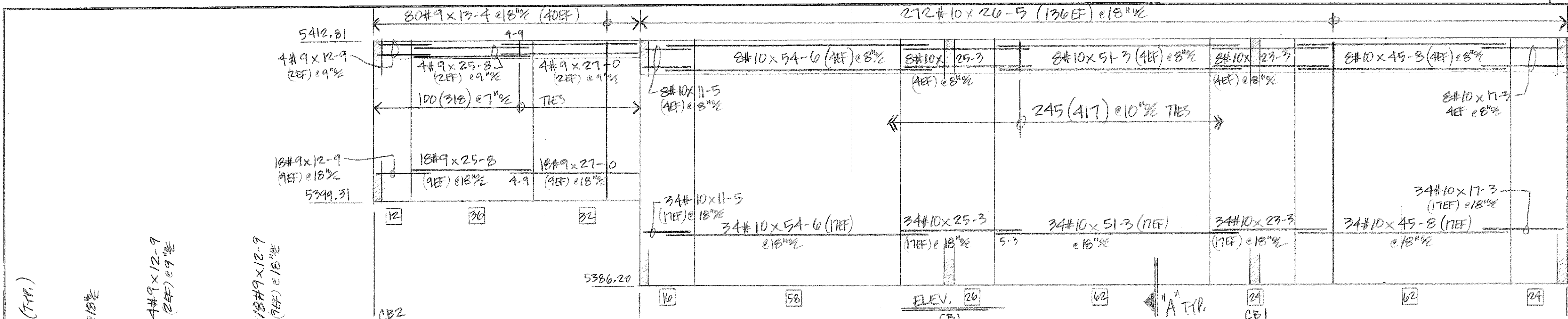
CONTRACTOR'S STAMP: This submittal has been reviewed by Weaver General Construction and approved with respect to the means, methods, techniques, & safety precautions & programs incidental thereto. Weaver General Construction also warrants that this submittal complies with contracted documents and comprises on deviations thereto:

Contractor's Stamp:

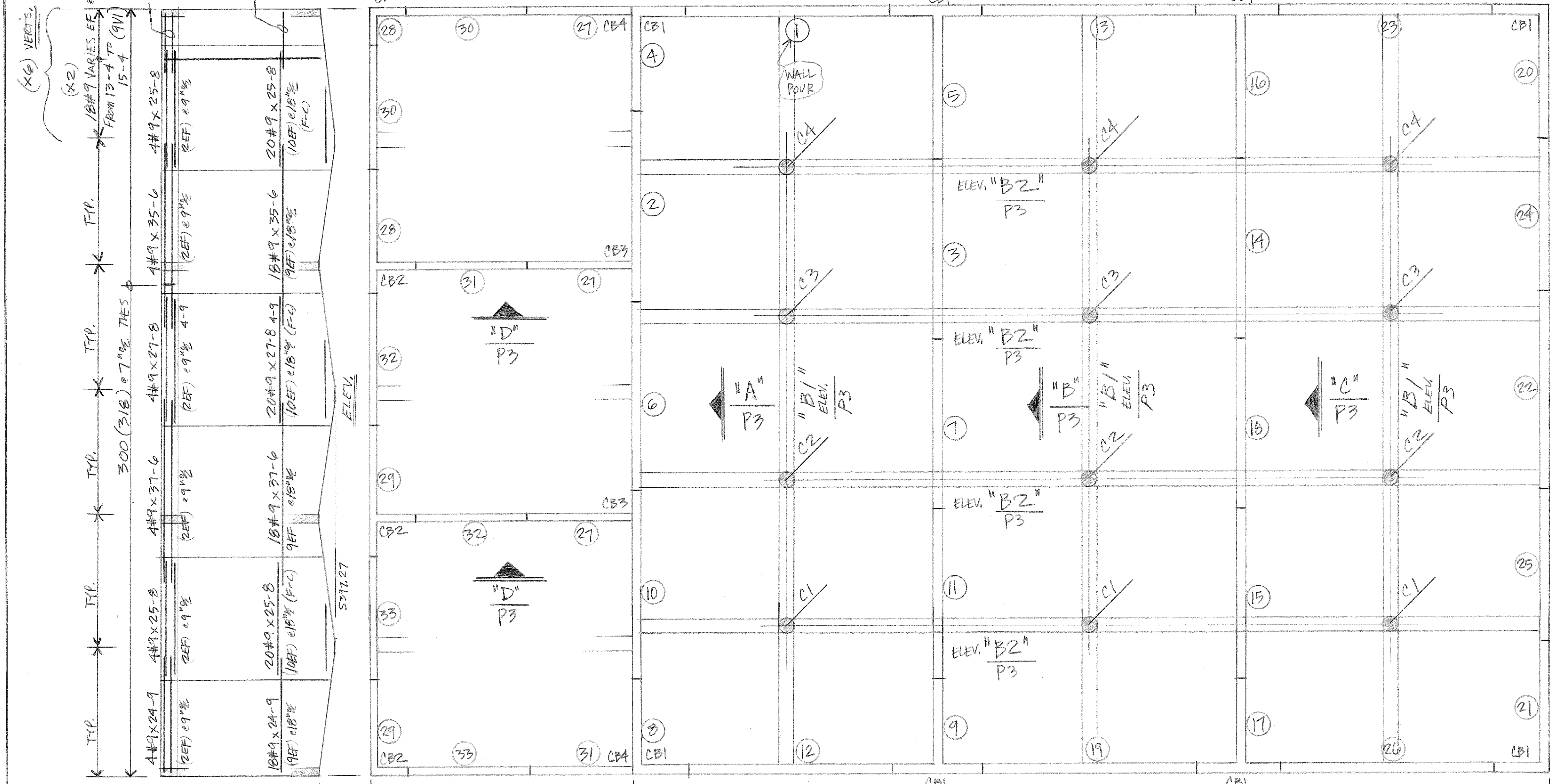
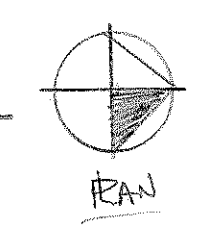
Date: 12/6/10
 Reviewed by: H.C. Myers
 (X) Reviewed Without Comments
 () Reviewed With Comments

Engineer's Stamp:

**ENGINEER'S
 COMMENTS:** _____

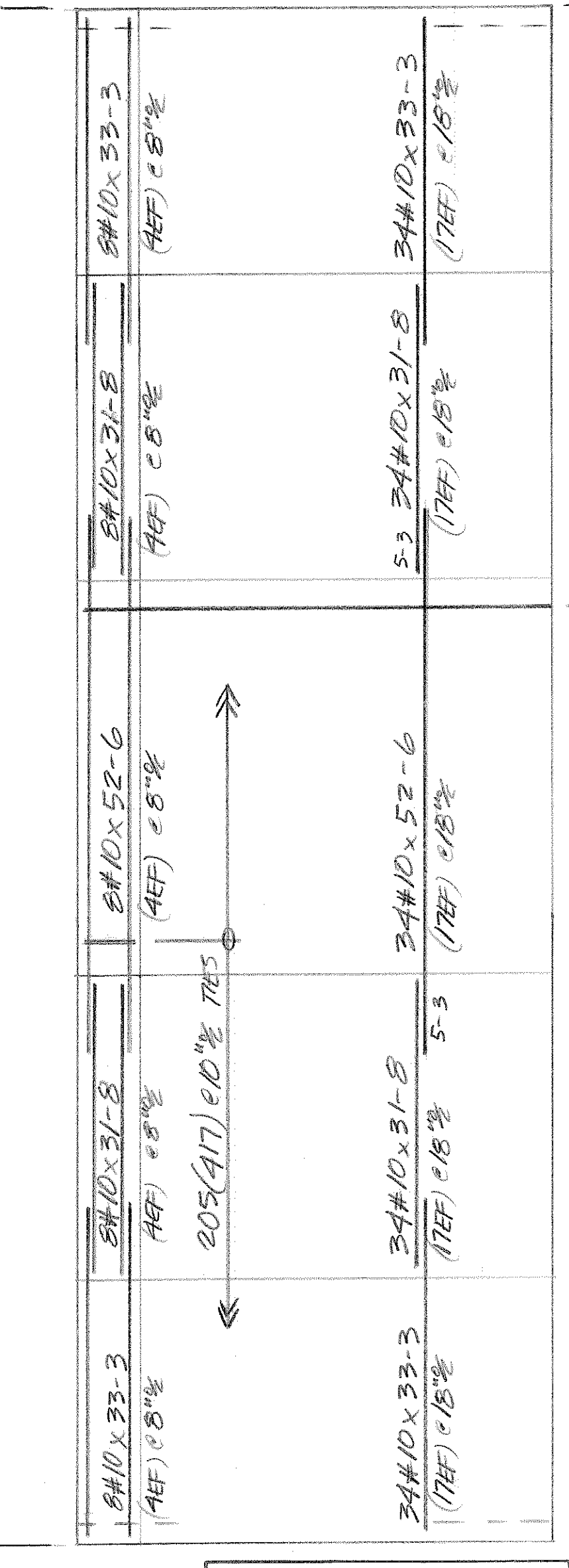
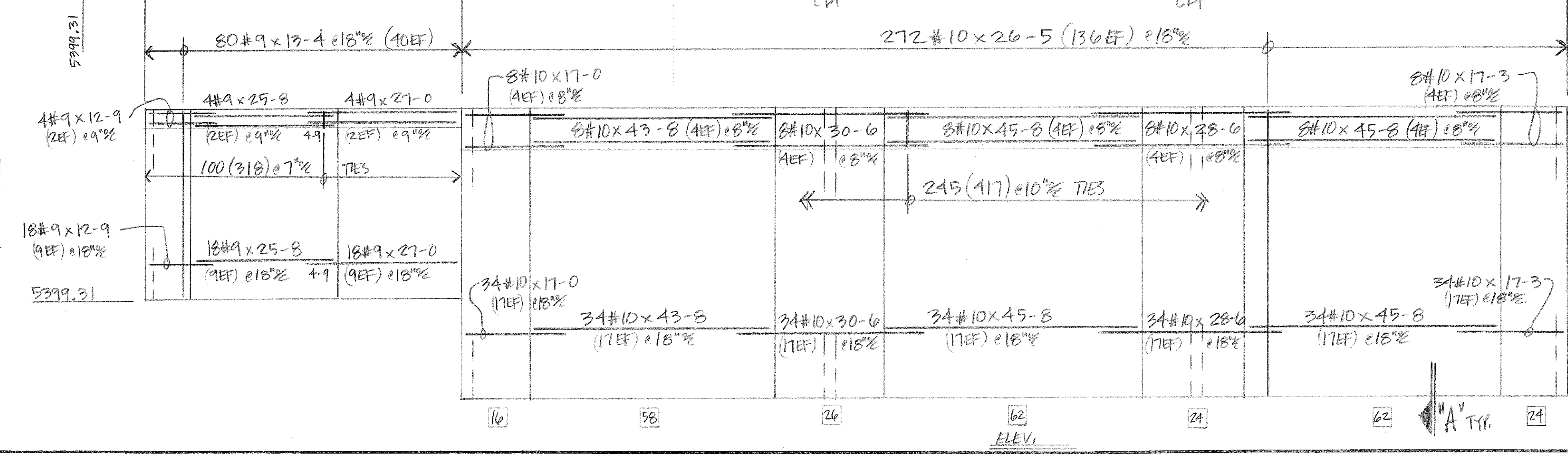


WALL PLAN & DIGESTER/AERATION



CORNER BAR SCHED.

MK.	QTY.	BAR S	(Loc.)
CB1	8	42(1019) 21EF	
CB2	4	22(920) 11EF	4.9
CB3	2	22(921) 4.9	4.9
CB4	2	22#9x11-6 (11EF)	6.9 4.9

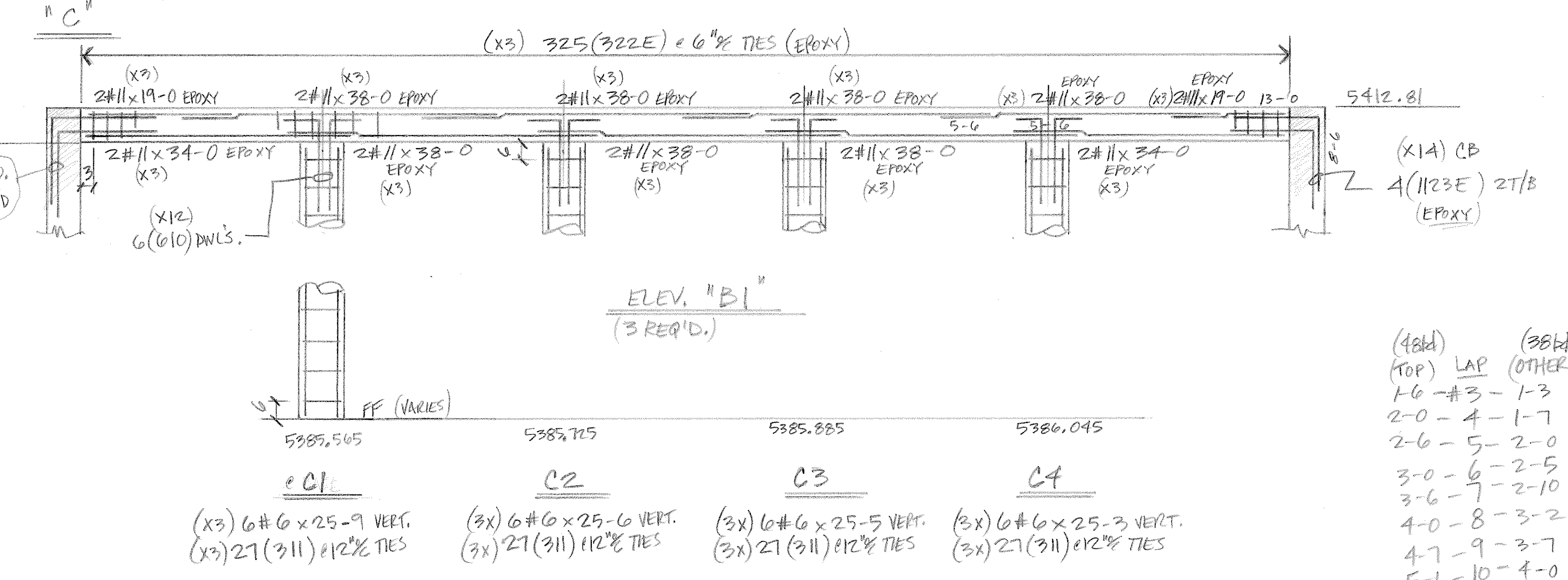
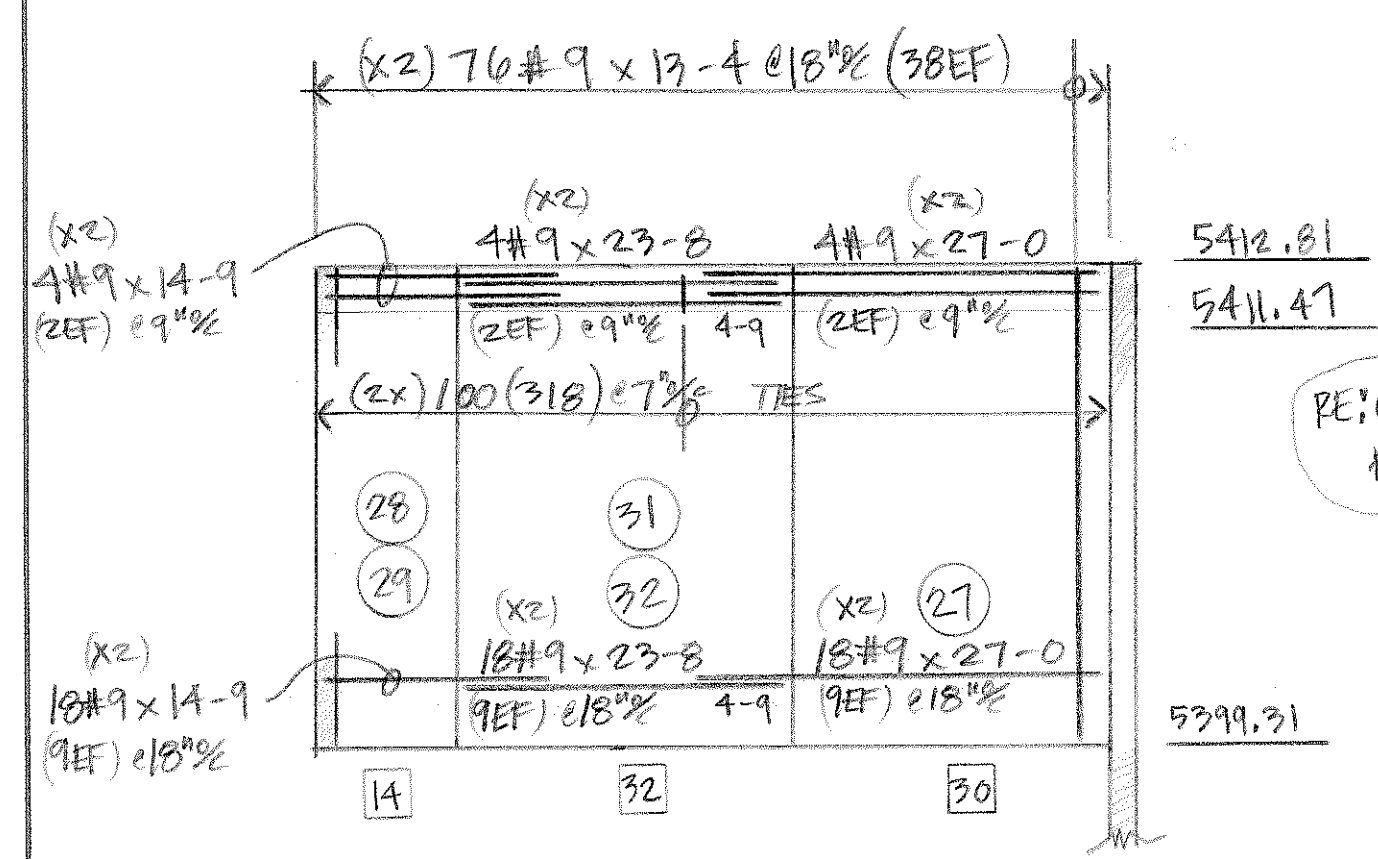
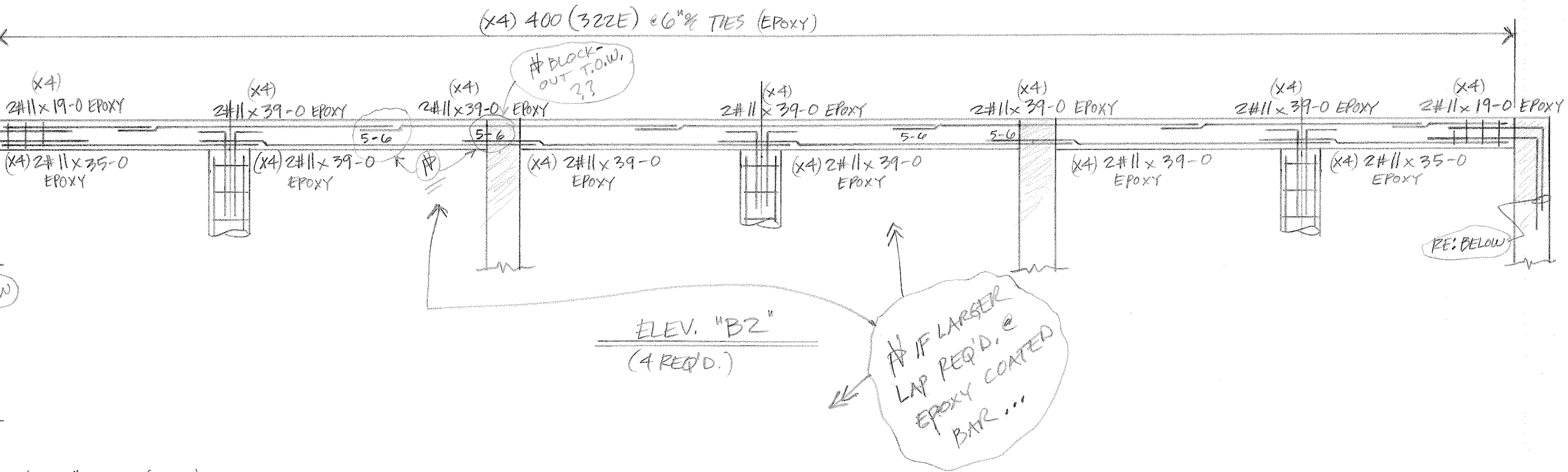
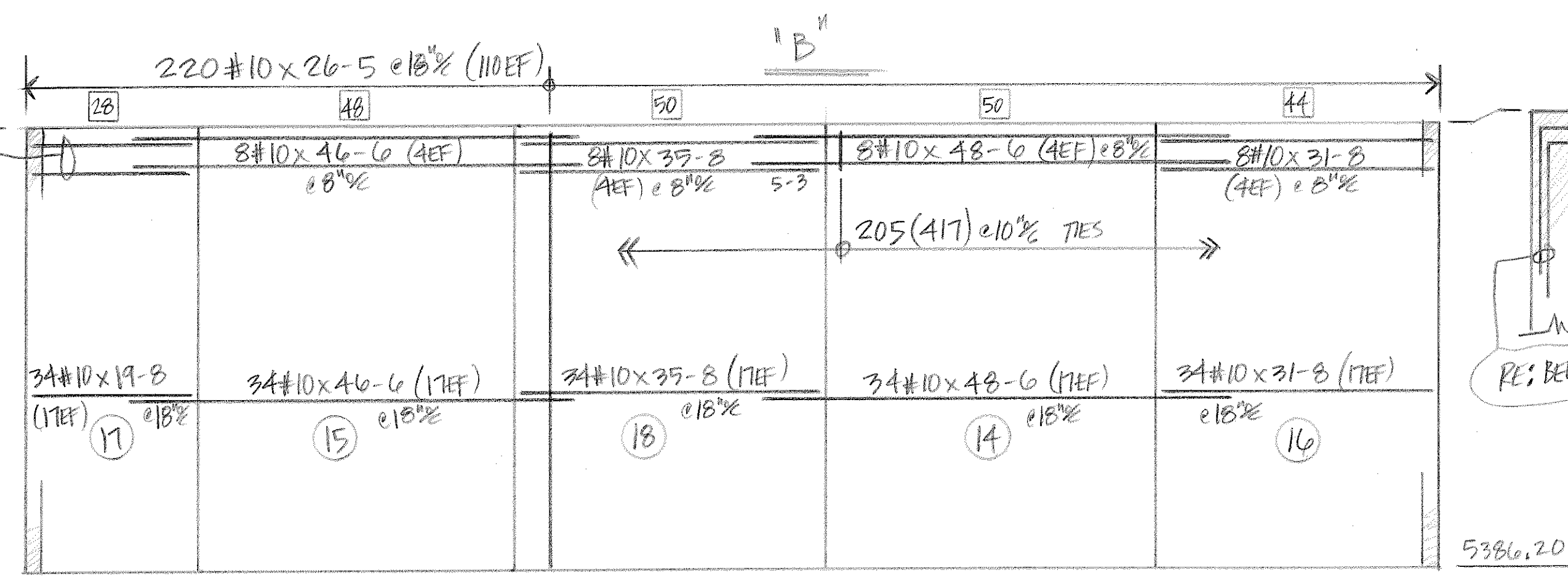
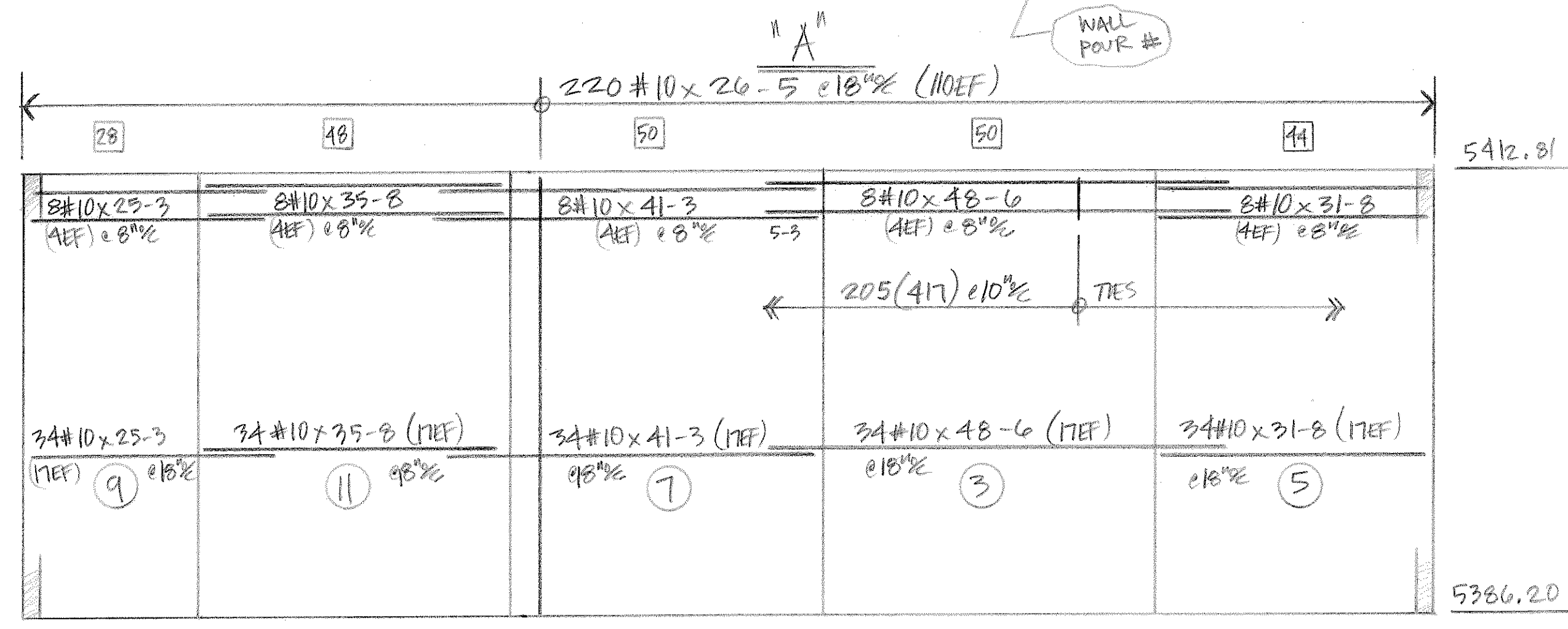
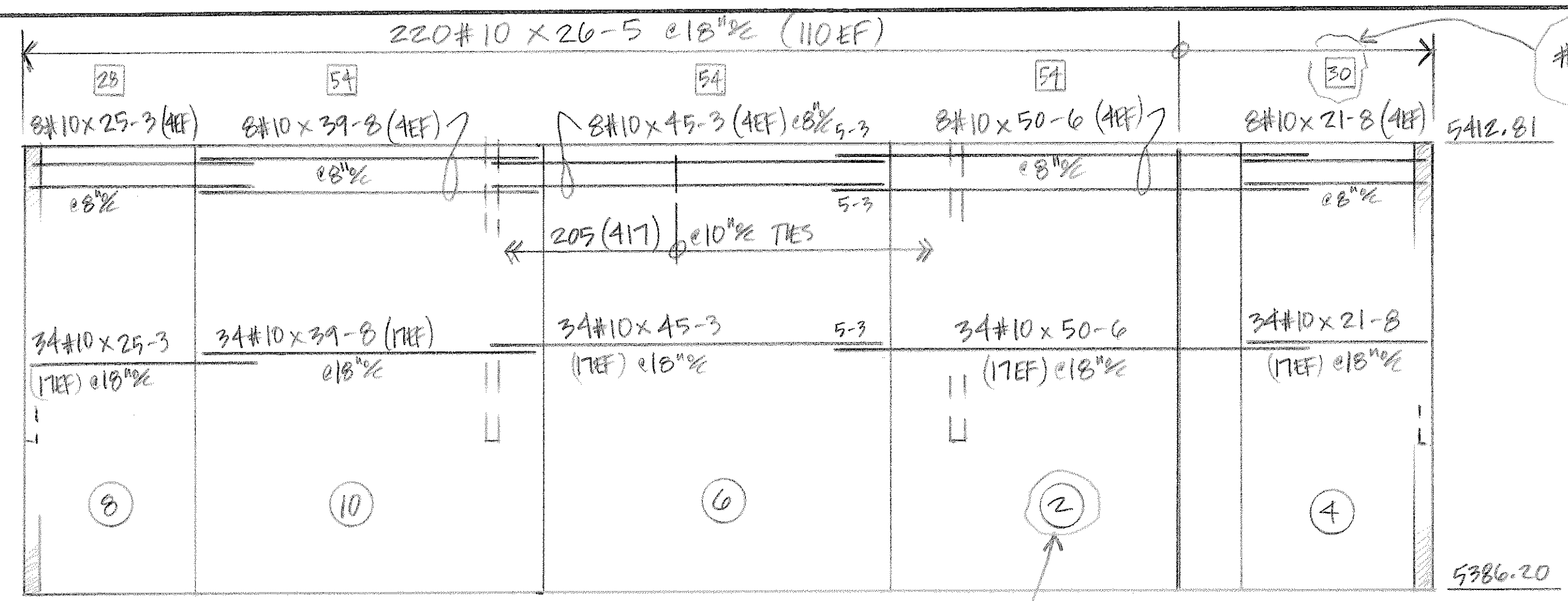


LEGEND

- O.F. - OUTSIDE FACE
- I.F. - INSIDE FACE
- E.F. - EACH FACE
- HORIZ. - HORIZONTAL
- VERT. - VERTICAL
- DWLS - DOWELS
- FTG. - FOOTING
- ELEV. - ELEVATION
- E.W. - EACH WAY
- T.O.F. - TOP OF FOOTING
- B.O.F. - BOTTOM OF FOOTING
- T.O.W. - TOP OF WALL
- B.O.W. - BOTTOM OF WALL
- GRD. BM. - GRADE BEAM
- MK. - MARK
- MAS. - MASONRY
- DIAG. - DIAGONAL
- COL. - COLUMN
- PROJ. - PROJECTION
- T & B - TOP & BOTTOM
- N.F. - NEAR FACE
- F.F. - FAR FACE
- % - ON CENTER
- C - AT EACH

NO	DATE	ISSUED FOR
JOB HAROLD D. THOMPSON REG. WATER RECLAIM.		
LOCATION FOUNTAIN CO.		
DESCRIPTION WALL PLAN & DIGESTER/AERATION		
CONTRACTOR WEAVER CONST.		
ARCHITECT G.M.S., INC.		
DRAWN:	CHECKED:	DATE:
D. TAVIN		12/11/10
REVISIONS	JOB NO.	DRAWING NO.
	10052	P2

QTY	SIZE	TYPE	LENGTH FT. - IN. - 0	MARK	SKETCH	A	B	C	D	E	F/R	G	H	K	J	O
4	T2		417		□	+	1-9	2-2	+	+						
3	T2		318	φ.	+	+	1-2	0-11	+	+						
10	17		1019	L			5-3	5-3								
9	17		920	L			4-9	4-9								
9	17		921	L			4-9	6-9								
3	T2	EPOXY	322E	□		+	1-1	1-1	+	+						
11	17	EPOXY	1123E	L			8-6	13-0								
3	T3		311	O				3-6						1-3		1-1
6	17		610	L			1-0	4-0								



- LEGEND
- O.F. - OUTSIDE FACE
 - I.F. - INSIDE FACE
 - E.F. - EACH FACE
 - HORIZ. - HORIZONTAL
 - VERT. - VERTICAL
 - DWLS. - DOWELS
 - FTG. - FOOTING
 - ELEV. - ELEVATION
 - E.W. - EACH WAY
 - T.O.F. - TOP OF FOOTING
 - B.O.F. - BOTTOM OF FOOTING
 - T.O.W. - TOP OF WALL
 - B.O.W. - BOTTOM OF WALL
 - GRD. BM. - GRADE BEAM
 - MK. - MARK
 - MAS. - MASONRY
 - DIAG. - DIAGONAL
 - COL. - COLUMN
 - PROJ. - PROJECTION
 - T & B - TOP & BOTTOM
 - N.F. - NEAR FACE
 - F.F. - FAR FACE
 - % - ON CENTER
 - @ - AT EACH

NO	DATE	ISSUED FOR
JOB HAROLD D. THOMPSON REG. WATER RECLAIM.		
LOCATION FOUNTAIN CO.		
DESCRIPTION WALL ELEV. @ DISESTER/AERATION		
CONTRACTOR WEAVER CONST.		
ARCHITECT GMS, INC.		
D. TARN	CHECKED:	DATE: 12/11/10
	REVISIONS	JOB NO. 10082
		DRAWING NO. P3