



WEAVER GENERAL CONSTRUCTION COMPANY
 3679 S. Huron St., Suite 404
 Englewood, CO 80110
 Phone: (303) 789-4111 FAX: (303) 789-4310

SUBMITTAL TRANSMITTAL

March 2, 2011

WGC Submittal No: 03200-004.A

PROJECT: **Harold Thompson Regional WRF**
 Birdsall Rd.
 Fountain, CO 80817
 Job No. 2908

ENGINEER: **GMS, Inc.**
 611 No. Weber St., #300
 Colorado Springs, CO 80903
 719-475-2935 Roger Sams

OWNER: **Lower Fountain Metropolitan
 Sewage Disposal District**
 901 S. Santa Fe Ave.
 Fountain, CO 80817
 719-382-5303 James Heckman

CONTRACTOR: **Dalco Industries Inc.**
 3730 Salem Street
 Denver, CO 80239
 303-371-3950 Manuel Morales

SUBJECT: Revised Rebar Drawings for Headworks Building (P5, P6, P7, P8, P9, P10)

SPEC SECTION: 03200 - Concrete Reinforcement

PREVIOUS SUBMISSION DATES: None

DEVIATIONS FROM SPEC: ___ YES X NO

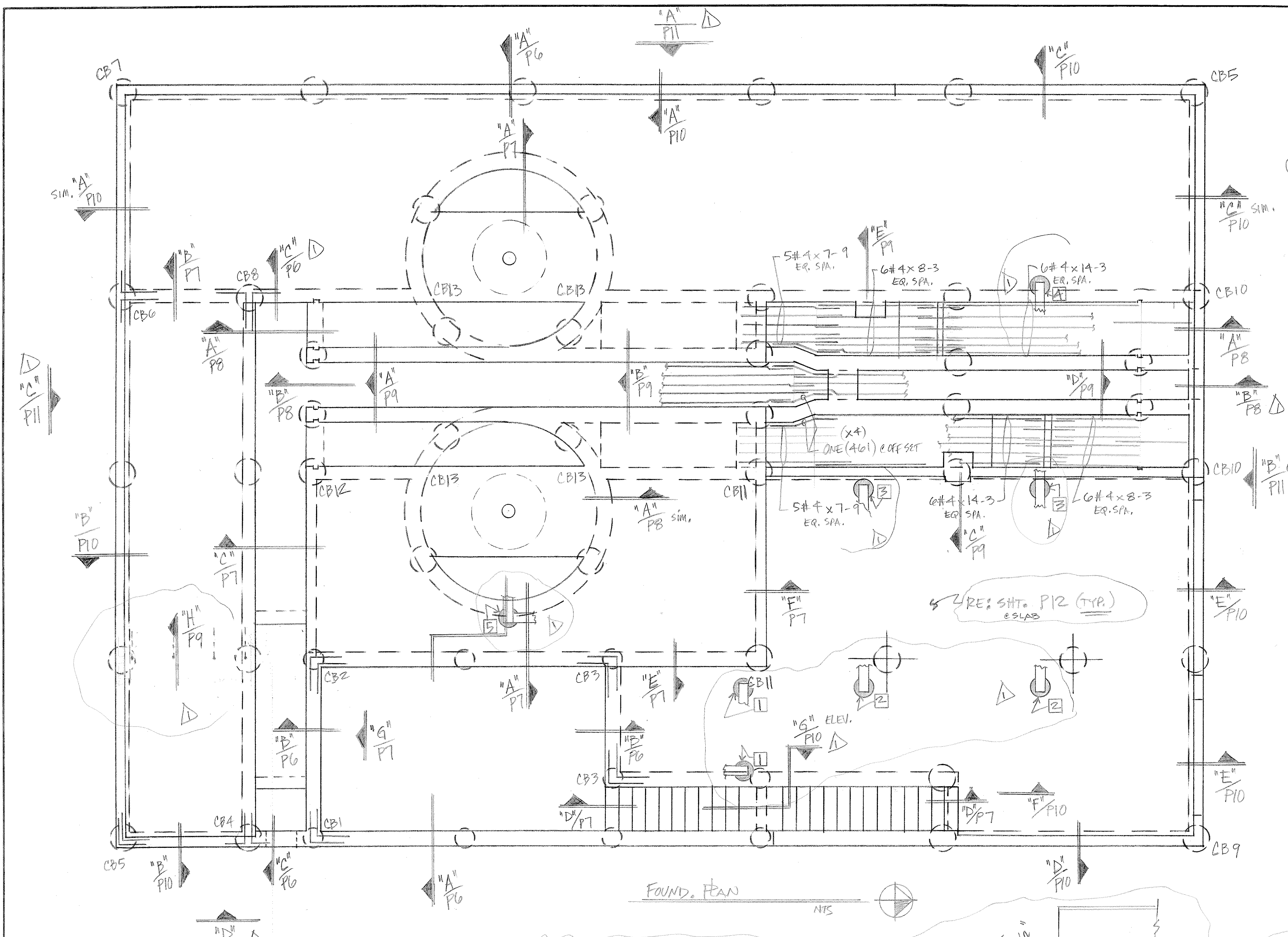
CONTRACTOR'S STAMP: This submittal has been reviewed by Weaver General Construction and approved with respect to the means, methods, techniques, & safety precautions & programs incidental thereto. Weaver General Construction also warrants that this submittal complies with contracted documents and comprises on deviations thereto:

Contractor's Stamp:

Engineer's Stamp:

Date: 3/02/11
 Reviewed by: H.C. Myers
 (X) Reviewed Without Comments
 () Reviewed With Comments

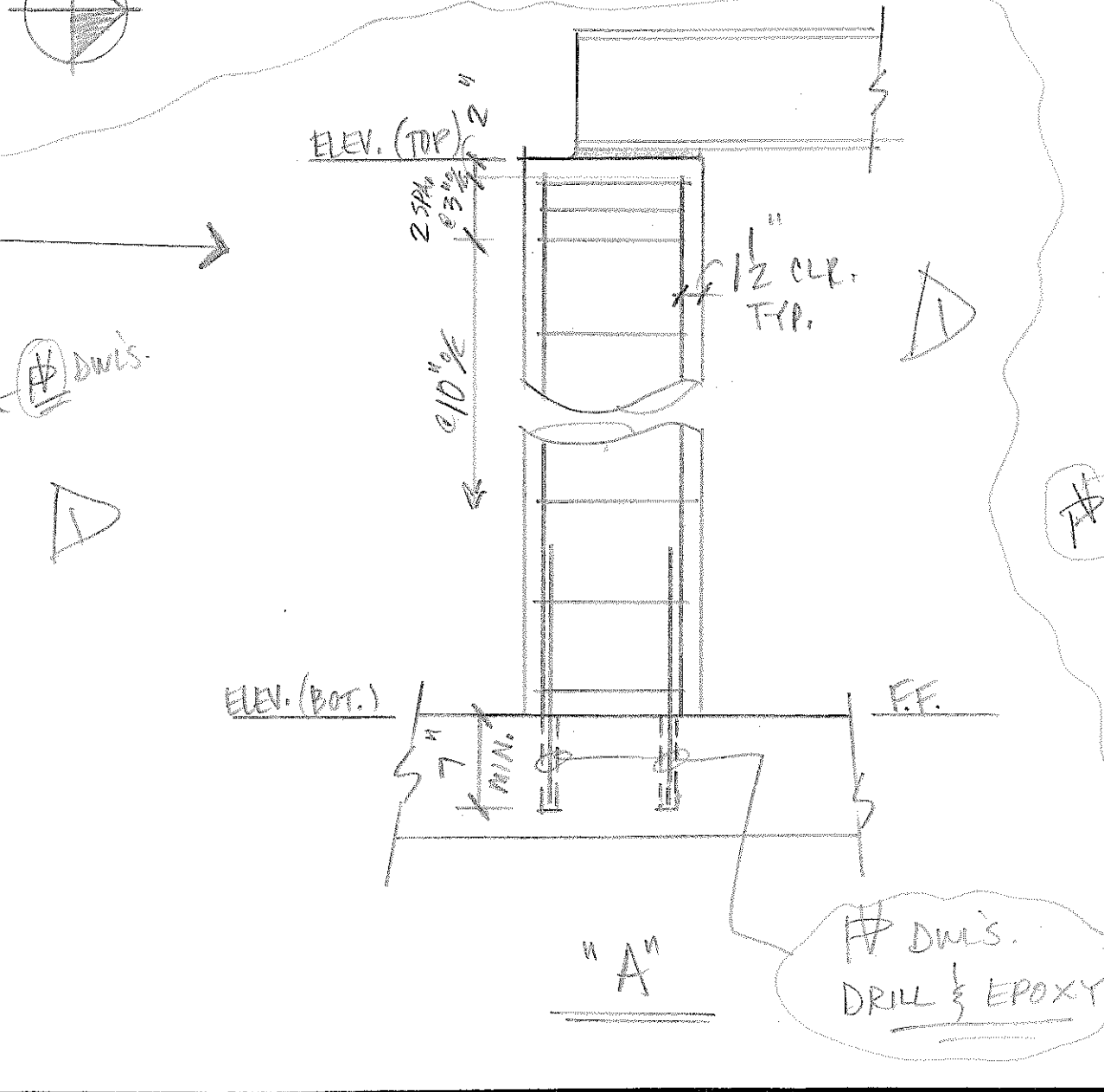
**ENGINEER'S
 COMMENTS:** _____



QTY	SIZE	TYPE	LENGTH FT. - IN.	MARK	SKETCH	A	B	C	D	E	F/R	G	H	K	J	O
7	11		727	L			3-4	4-0								
4	11		428	L			3-0	3-0								
6	17		629	L			2-10	3-6								
5	17		530	L			2-6	2-6								
3	T2		331	□		+	1-0	0-10		+			+			
3	T2		332	□		+	1-0	0-4		+			+			
6	20		633	□			4-0	2-8	4-0							
6	20		634	□			4-0	1-0	4-0							
4	17		435	□			0-8	2-2								
8	17		836	□			1-4	5-0								
3	T2		337	□		+	0-8	0-8		+			+			
8	9		838	□			18-6					6-9				+
8	9		839	□			17-3					6-3				+
8	9		840	□			16-2					5-9				+
8	17		841	□			1-4	13-8	1-4							
8	17		842	□			1-4	13-6	1-4							
8	17		843	□			1-4	13-1	1-4							
8	17		844	□			1-4	12-3	1-4							
8	17		845	□			1-4	11-1	1-4							
8	17		846	□			1-4	9-4	1-4							
4	17		447	□			0-8	2-6								
4	17		448	□			0-8	4-0	0-8							
4	17		449	□			0-8	3-10 1/2	0-8							
4	17		450	□			0-8	3-5 1/2	0-8							
4	17		451	□			0-8	2-8 1/2	0-8							
4	17		452	□			0-8	1-5	0-8							
7	9		753	□			18-0					6-10		+		+
7	9		754	□			17-3					6-6		+		+
7	9		755	□			16-9					6-2		+		+
6	9		656	□			17-0					6-10		+		+
6	9		657	□			15-9					6-2		+		+
4	9		458	□			16-6					6-10		+		+
4	9		459	□			15-3					6-2		+		+
4	3		460	□			1-9	+	2-3				0-6	1-4		
4	3		461	□			2-3	+	2-3				0-6	1-4		
6	3		662	□			3-3	+	3-3				0-6	1-4		
4	17		463	□			0-8	5-6								
3	T2		364	□		+	0-4	0-8		+			+			
4	20		465	□			1-4	0-6	1-4							
4	17		466	□			0-10	3-8	0-10							
4	17		467	□			0-10	3-0	0-10							
3	17		368	□			0-6	2-6								
4	17		469	□			0-8	2-8								
4	17		470	□			2-8	1-8	2-8							
3	T2		371	□		+	0-6	2-8		+			+			
6	20		672	□			4-0	2-6	4-0							
6	3		673	□			3-0	+	4-0					2-10	10-9	
6	3		674	□			3-0	+	5-6					2-6	9-3	
4	17		475	□			1-4	2-2								
3	T2		376	□		+	1-8	1-8		+			+			
4	3		477	□			1-0	+	1-0					0-3 1/2	1-0	
4	3		478	□			1-0	1-0						0-3 1/2	+	
4	17		479	□			0-8	3-6								
4	17		480	□			1-0	2-4								

CORNER BAR SCHED.		NO.	QTY.	BAR	NO.	QTY.	BAR
CB1	ONE	6(7105) 3EF TOP 4(6106) 2MID/BOT. 33(4107) MATCH IFR.	ONE	2(4107) IFR. M.	CB12	ONE	6(6106) 2T, M, B. 18(4107) 9EF
CB2	ONE	6(7105) 3EF (T.) 4(6106) 2M/B. 22(4107) IFR.	ONE	6(7105) 3T/B 7(4107) 3EF / 1 MATCH CURB	CB13	4	4(6109) IF 4(6110) OF 6(4111) IF ALT. 6(4112) OF (A.)
CB3	2	8(6106) 2EF TOP / 2 MID / BOT. 12(4107) IFR.	ONE	6(6106) 2T, M, B 12(4107) 6EF	CB9	ONE	6(8108) 3T/B 5(4107) 2EF, 1 MATCH CURB
CB4	ONE	6(6106) 2T, M, B. 20(4107) 10EF	ONE	6(6106) 2T, M, B 12(4107) 6EF	CB10	2	6(6106) 2T, M, B 12(4107) 6EF
CB5	2	6(6106) 5(4107) 2(530)	ONE	6(6106) 2T, M, B 3(4107) MID.	CB11	2	6(6106) 2T, M, B 3(4107) MID.

COL. SCHEDULE (RE: "A")				
NO.	QTY.	ELEV. TOP	VERT.	TIES
1	2	5428.00 5417.92	6# 5 x 9-11	15(311)
2	2	5432.00 5417.92	6# 5 x 13-11	20(311)
3	2	5432.00 5418.00	6# 5 x 13-10	20(311)
4	ONE	5432.00 5421.33	6# 5 x 10-6	16(311)
5	ONE	5433.43 5421.33	6# 5 x 11-11	17(311)



NOTE: REF. P11
BALANCE OF
BENDINGS...

(38bd)
(TOP) LAP (OTHER)
1-6-#3-1-3
2-0-4-1-7
2-6-5-2-0
3-0-6-2-5
3-6-7-2-10
4-0-8-3-2
4-7-9-3-7
5-1-10-4-0
5-6-11-4-5

- LEGEND
- O.F. - OUTSIDE FACE
- I.F. - INSIDE FACE
- E.F. - EACH FACE
- HORIZ. - HORIZONTAL
- VERT. - VERTICAL
- DWLS. - DOWELS
- FTG. - FOOTING
- ELEV. - ELEVATION
- E.W. - EACH WAY
- T.O.F. - TOP OF FOOTING
- B.O.F. - BOTTOM OF FOOTING
- T.O.W. - TOP OF WALL
- B.O.W. - BOTTOM OF WALL
- GRD. BM. - GRADE BEAM
- MK. - MARK
- MAS. - MASONRY
- DIAG. - DIAGONAL
- COL. - COLUMN
- PROJ. - PROJECTION
- T & B - TOP & BOTTOM
- N.F. - NEAR FACE
- F.F. - FAR FACE
- % - ON CENTER
- @ - AT EACH

3/11/11 REVISE & RESUBMIT

NO. DATE ISSUED FOR

DALCO INDUSTRIES, INC.
An Employee Owned Company

AREA CODE 303 371-3950 3730 SALEM ST. DENVER, COLO. 80239

JOB HAROLD D. THOMPSON REG. WATER RECLAIM.

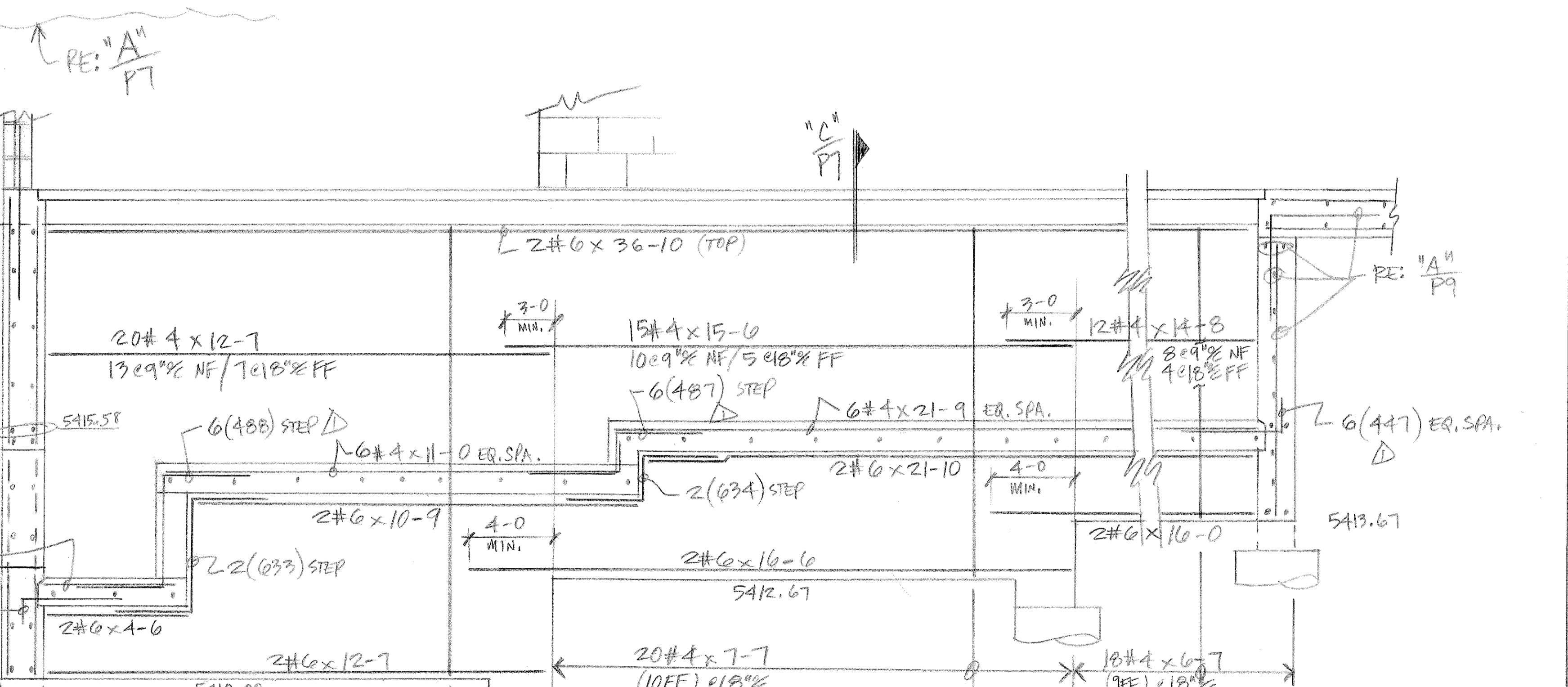
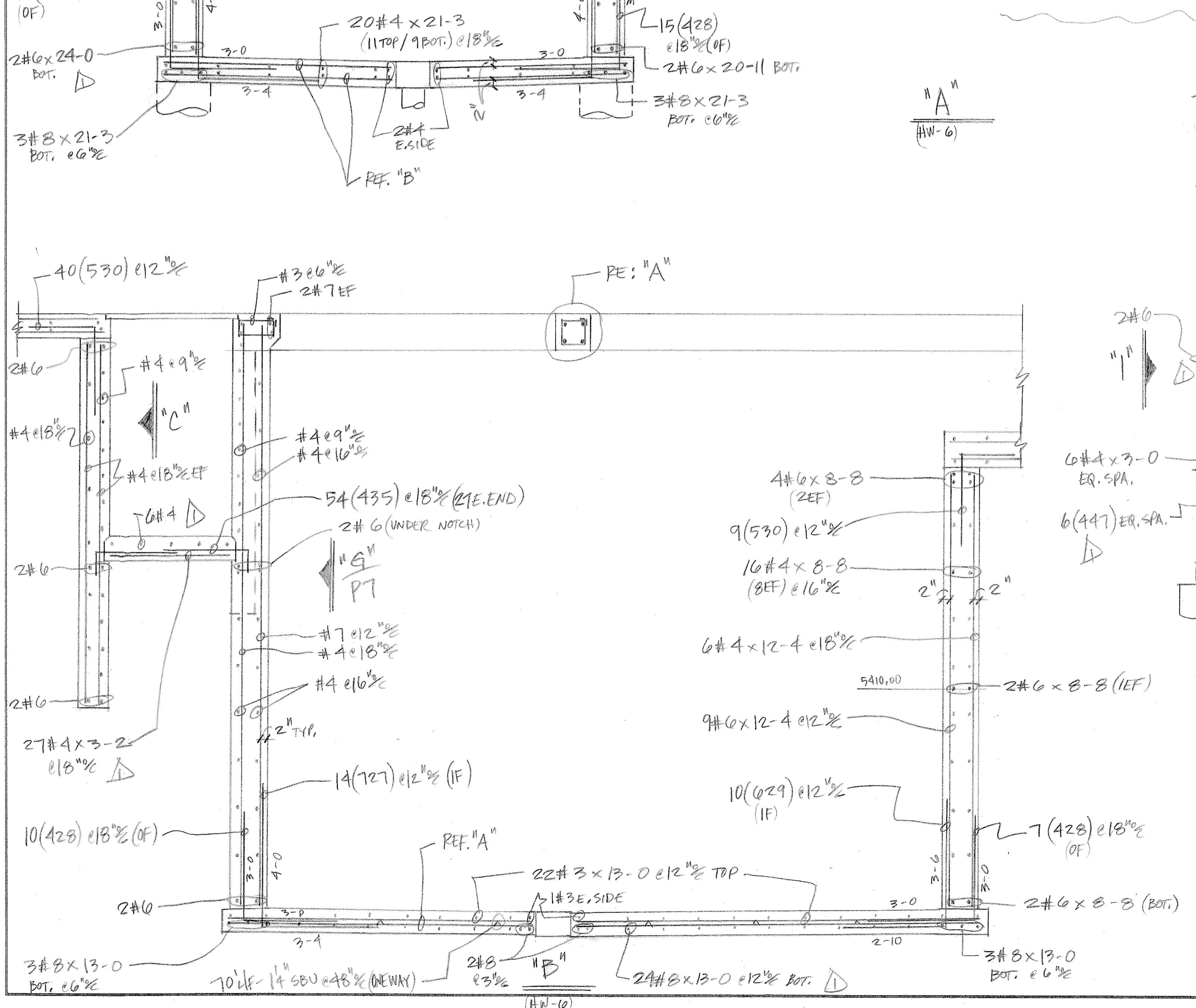
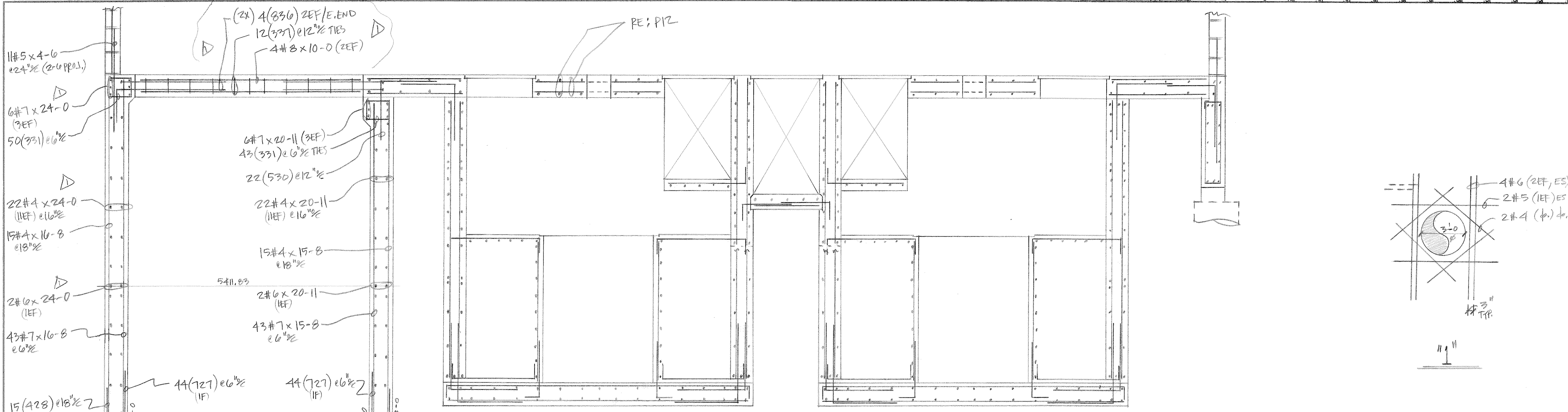
LOCATION FOUNTAIN, CO.

DESCRIPTION PLAN & HEADWORKS

CONTRACTOR WEAVER CONST.

ARCHITECT GMS, INC.

DRAWN: D. TAKIN CHECKED: DATE: 1-6-11 REVISIONS: JOB NO. 10082 DRAWING NO. P5A



LEGEND

- O.F. - OUTSIDE FACE
- I.F. - INSIDE FACE
- E.F. - EACH FACE
- HORIZ. - HORIZONTAL
- VERT. - VERTICAL
- DWLS. - DOWELS
- FTG. - FOOTING
- ELEV. - ELEVATION
- E.W. - EACH WAY
- T.O.F. - TOP OF FOOTING
- B.O.F. - BOTTOM OF FOOTING
- T.O.W. - TOP OF WALL
- B.O.W. - BOTTOM OF WALL
- GRD. BM. - GRADE BEAM
- MK. - MARK
- MAS. - MASONRY
- DIAG. - DIAGONAL
- COL. - COLUMN
- PROJ. - PROJECTION
- T & B - TOP & BOTTOM
- N.F. - NEAR FACE
- F.F. - FAR FACE
- φ - ON CENTER
- @ - AT EACH

3/11/11 REVISE & RESUBMIT.

NO	DATE	ISSUED FOR

DALCO INDUSTRIES, INC.
An Employee Owned Company

AREA CODE 303 371-3950 3730 SALEM ST DENVER, CO. 80239

JOB: HAROLD D. THOMPSON REG. WATER RECLAIM.

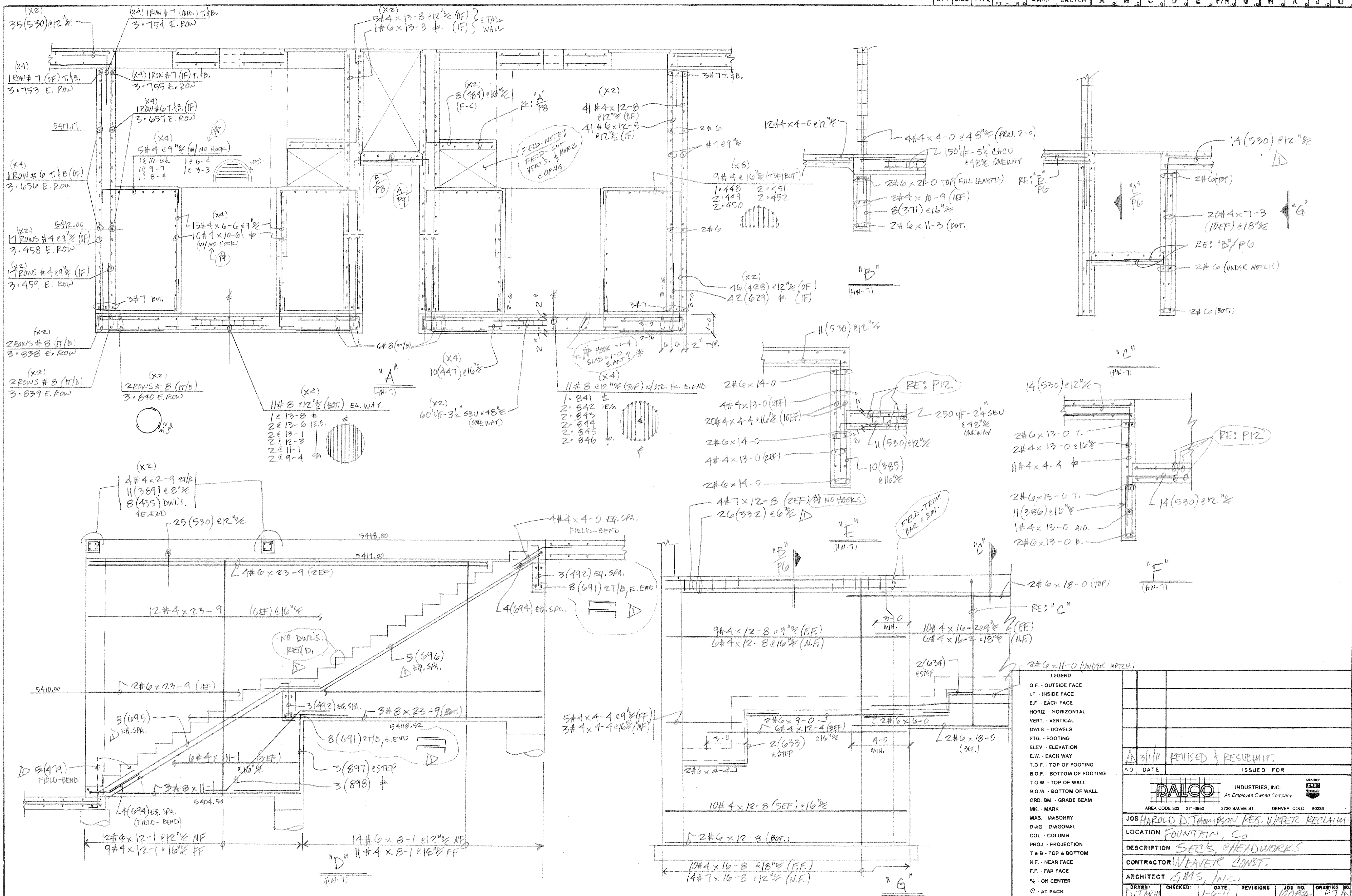
LOCATION: FOUNTAIN, CO.

DESCRIPTION: SEC'S. HEADWORKS

CONTRACTOR: NEAVER CONST.

ARCHITECT: GMS, INC.

DRAWN: D. TARN CHECKED: DATE: 1-6-11 REVISIONS: JOB NO. 10082 DRAWING NO. PG 1/N



LEGEND

- O.F. - OUTSIDE FACE
- I.F. - INSIDE FACE
- E.F. - EACH FACE
- HORIZ. - HORIZONTAL
- VERT. - VERTICAL
- DWLS. - DOWELS
- FTG. - FOOTING
- ELEV. - ELEVATION
- E.W. - EACH WAY
- T.O.F. - TOP OF FOOTING
- B.O.F. - BOTTOM OF FOOTING
- T.O.W. - TOP OF WALL
- B.O.W. - BOTTOM OF WALL
- GRD. BM. - GRADE BEAM
- M.K. - MARK
- MAS. - MASONRY
- DIAG. - DIAGONAL
- COL. - COLUMN
- PROJ. - PROJECTION
- T & B - TOP & BOTTOM
- N.F. - NEAR FACE
- F.F. - FAR FACE
- % - ON CENTER
- @ - AT EACH

REVISIONS

NO	DATE	ISSUED FOR
3/11		REVISED & RESUBMIT.

MEMBER

DALCO INDUSTRIES, INC.
An Employee Owned Company

AREA CODE 303 371-3950 3730 SALEM ST. DENVER, COLO. 80239

JOB HAROLD D. THOMPSON REG. WATER RECLAIM.

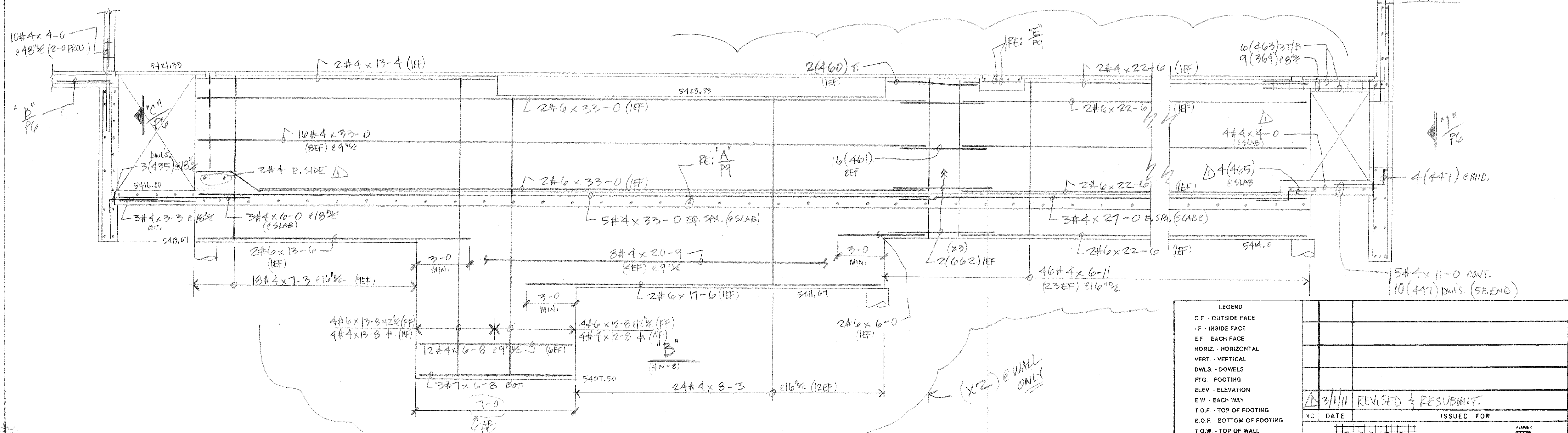
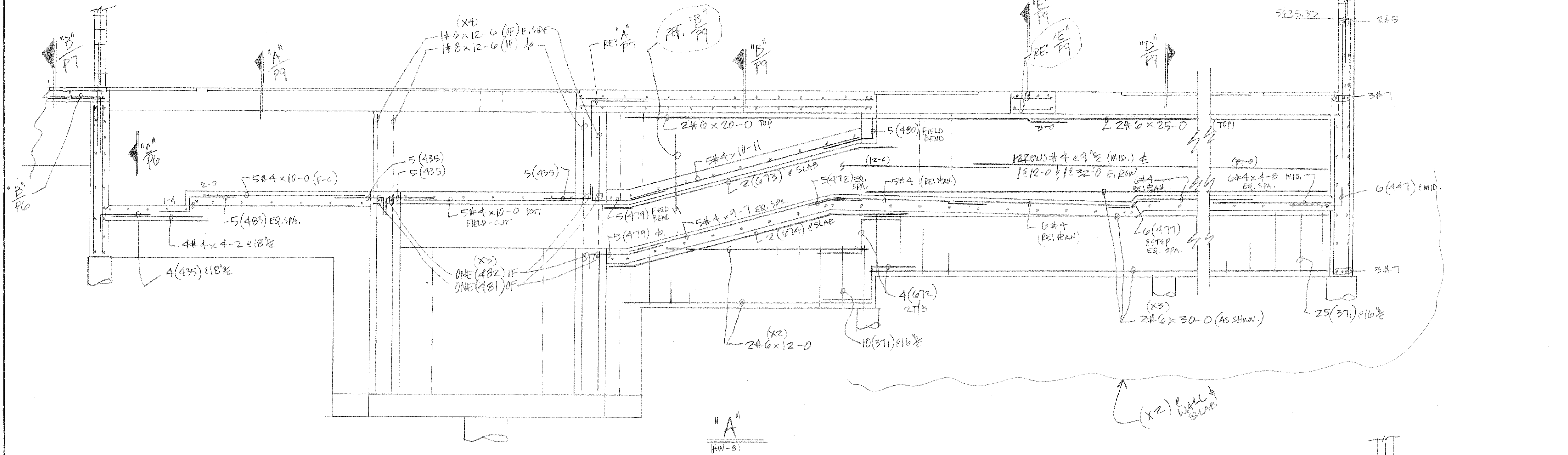
LOCATION FOUNTAIN, CO.

DESCRIPTION SEC'S. @ HEADWORKS

CONTRACTOR NEAVER CONST.

ARCHITECT GMS, INC.

DRAWN D. TAKIM **CHECKED** DATE: 1-6-11 **REVISIONS** **JOB NO.** 10082 **DRAWING NO.** PTN



- LEGEND
- O.F. - OUTSIDE FACE
 - I.F. - INSIDE FACE
 - E.F. - EACH FACE
 - HORIZ. - HORIZONTAL
 - VERT. - VERTICAL
 - DWLS. - DOWELS
 - FTG. - FOOTING
 - ELEV. - ELEVATION
 - E.W. - EACH WAY
 - T.O.F. - TOP OF FOOTING
 - B.O.F. - BOTTOM OF FOOTING
 - T.O.W. - TOP OF WALL
 - B.O.W. - BOTTOM OF WALL
 - GRD. BM. - GRADE BEAM
 - MK. - MARK
 - MAS. - MASONRY
 - DIAG. - DIAGONAL
 - COL. - COLUMN
 - PROJ. - PROJECTION
 - T & B - TOP & BOTTOM
 - N.F. - NEAR FACE
 - F.F. - FAR FACE
 - % - ON CENTER
 - @ - AT EACH

3/1/11 REVISED & RESUBMIT.

NO.	DATE	ISSUED FOR

DALCO INDUSTRIES, INC.
An Employee Owned Company

AREA CODE 303 371-3950 3730 SALEM ST DENVER, CO. 80239

JOB HAROLD D. THOMPSON REG. WATER RECLAIM.

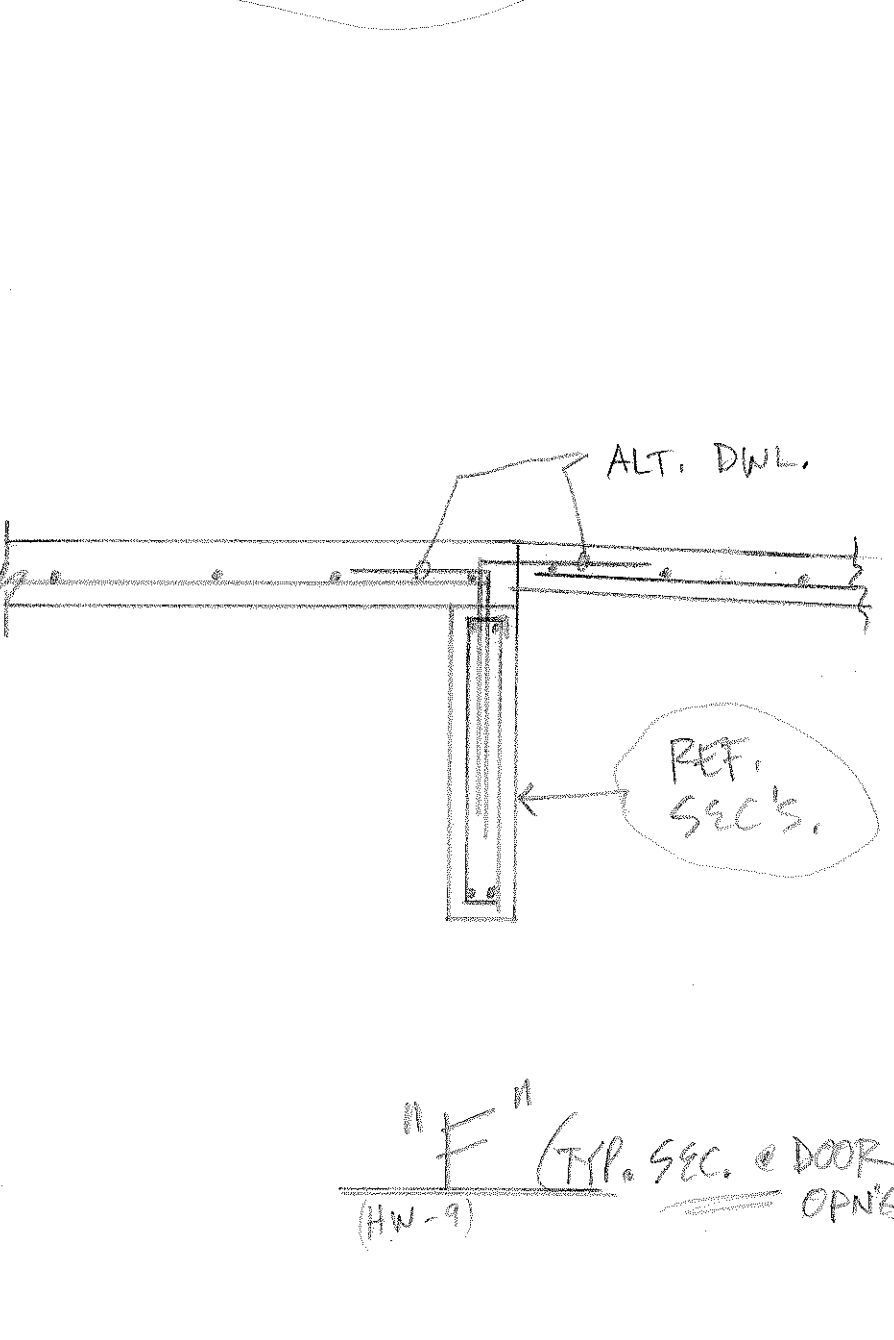
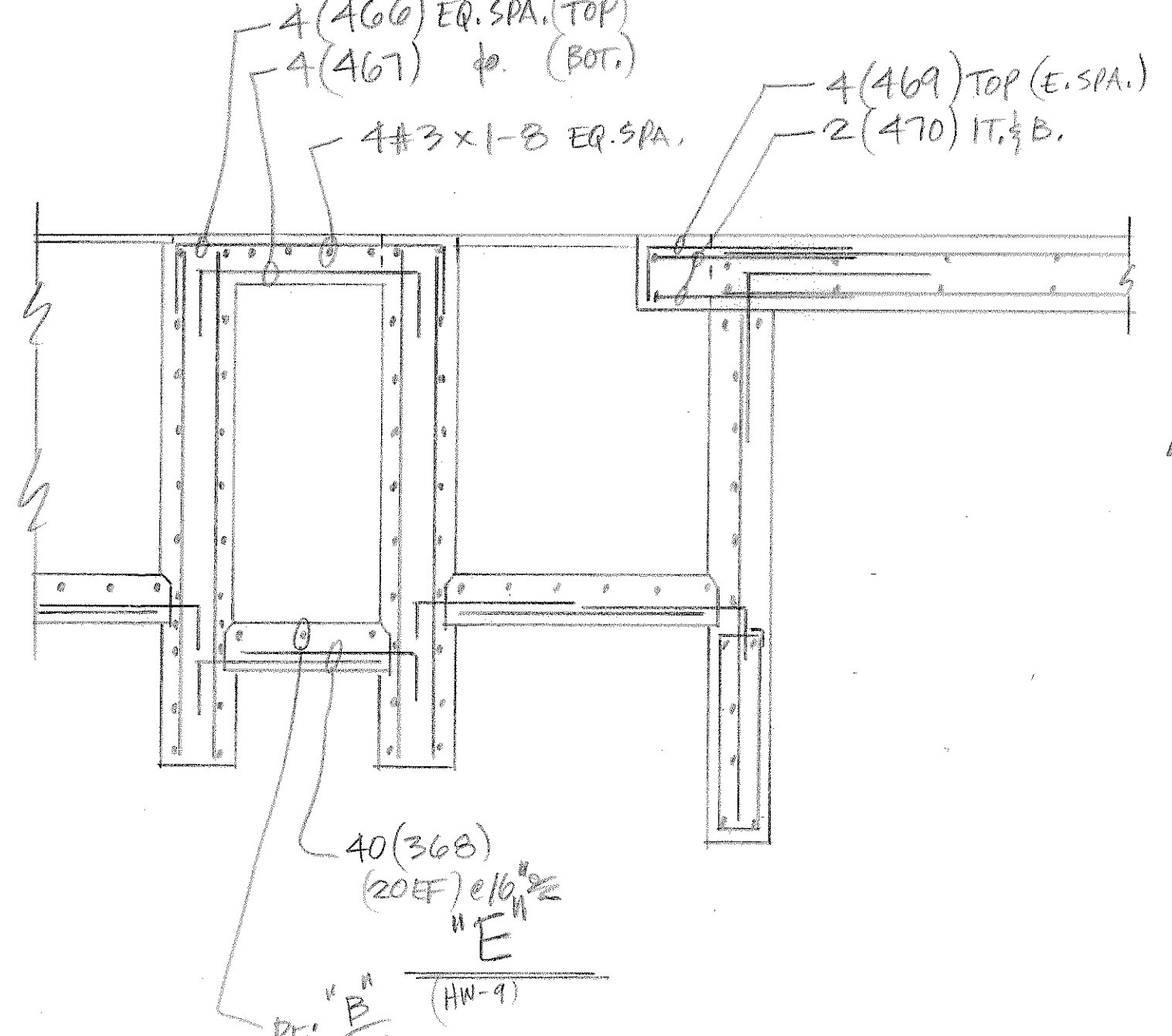
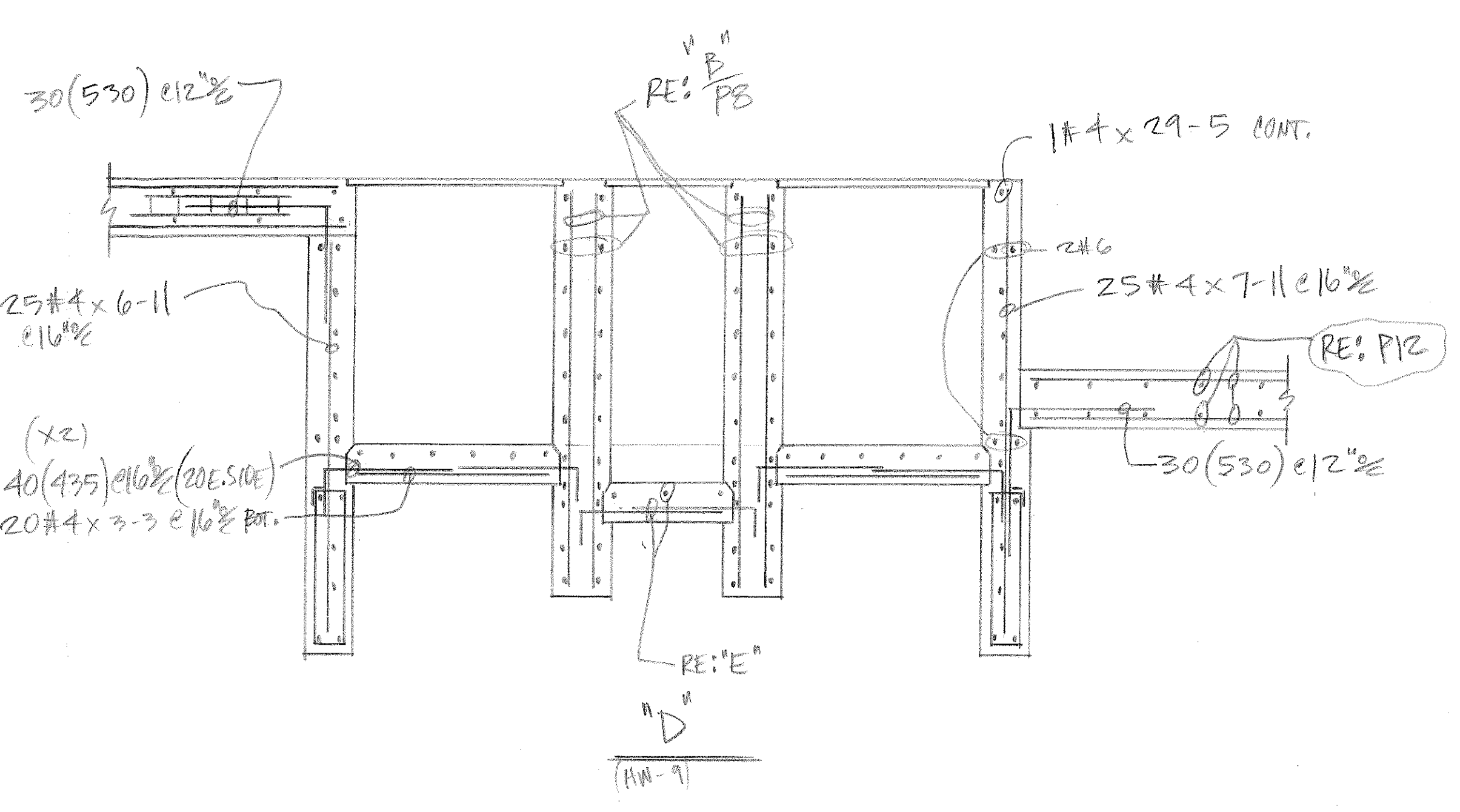
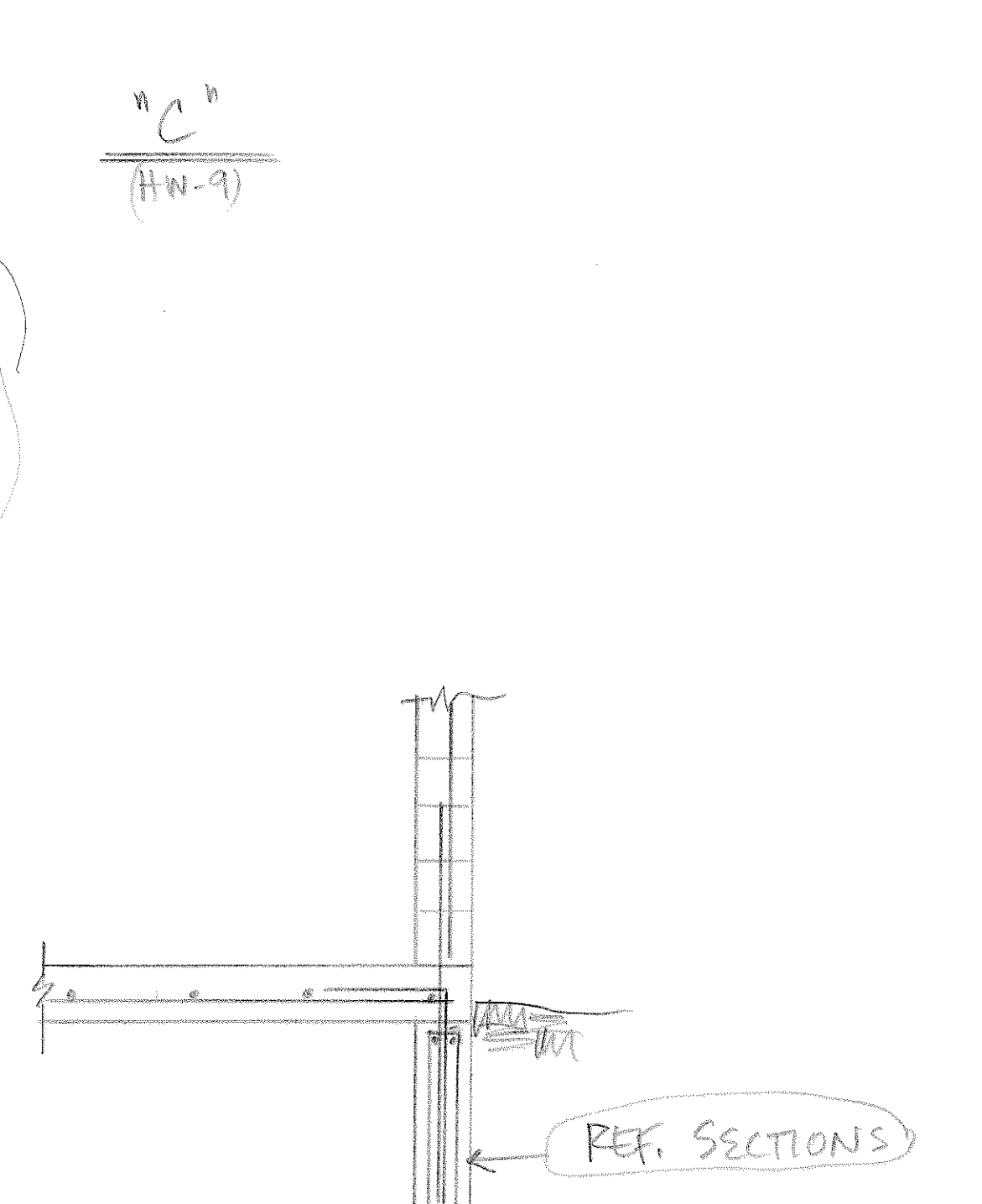
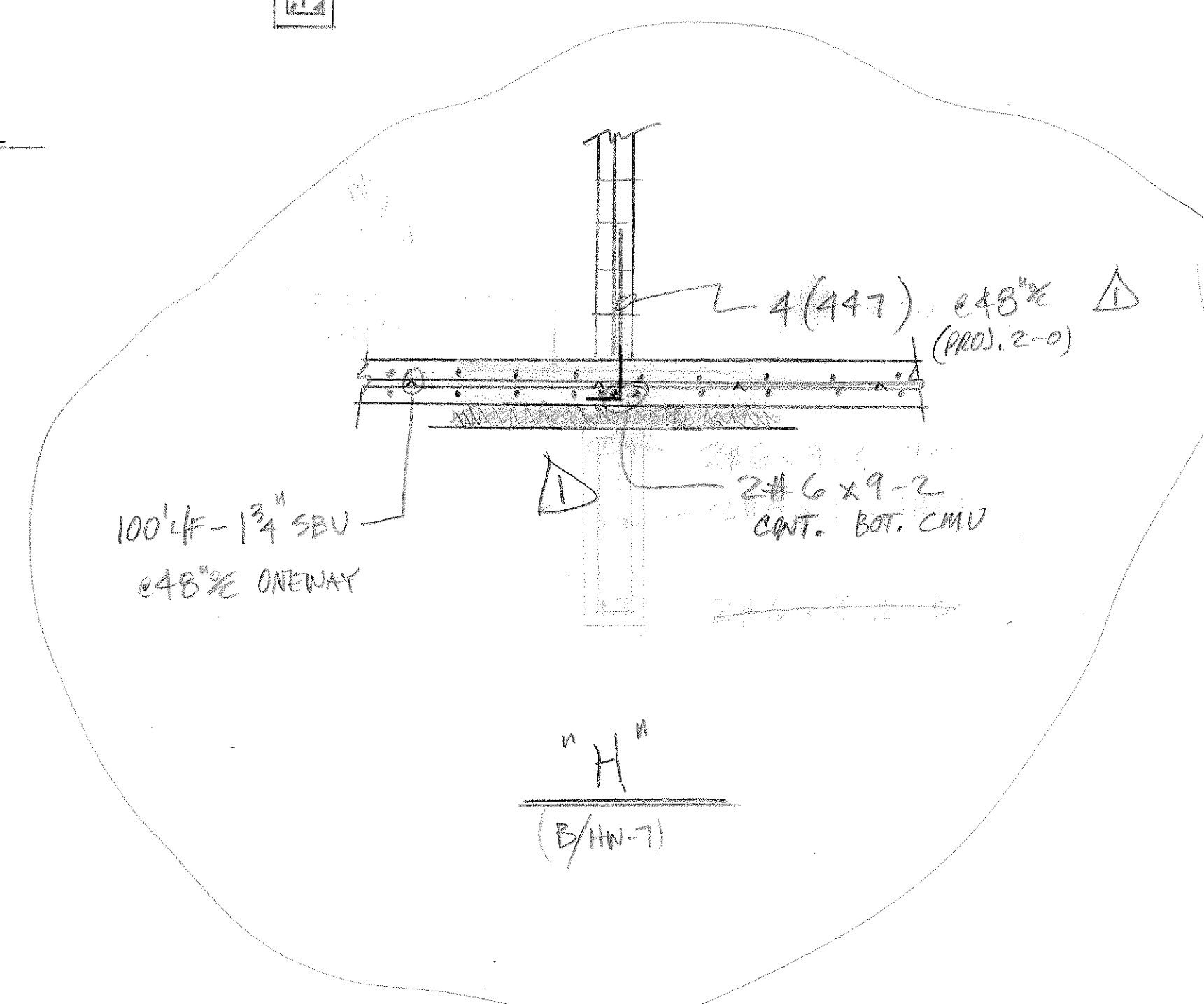
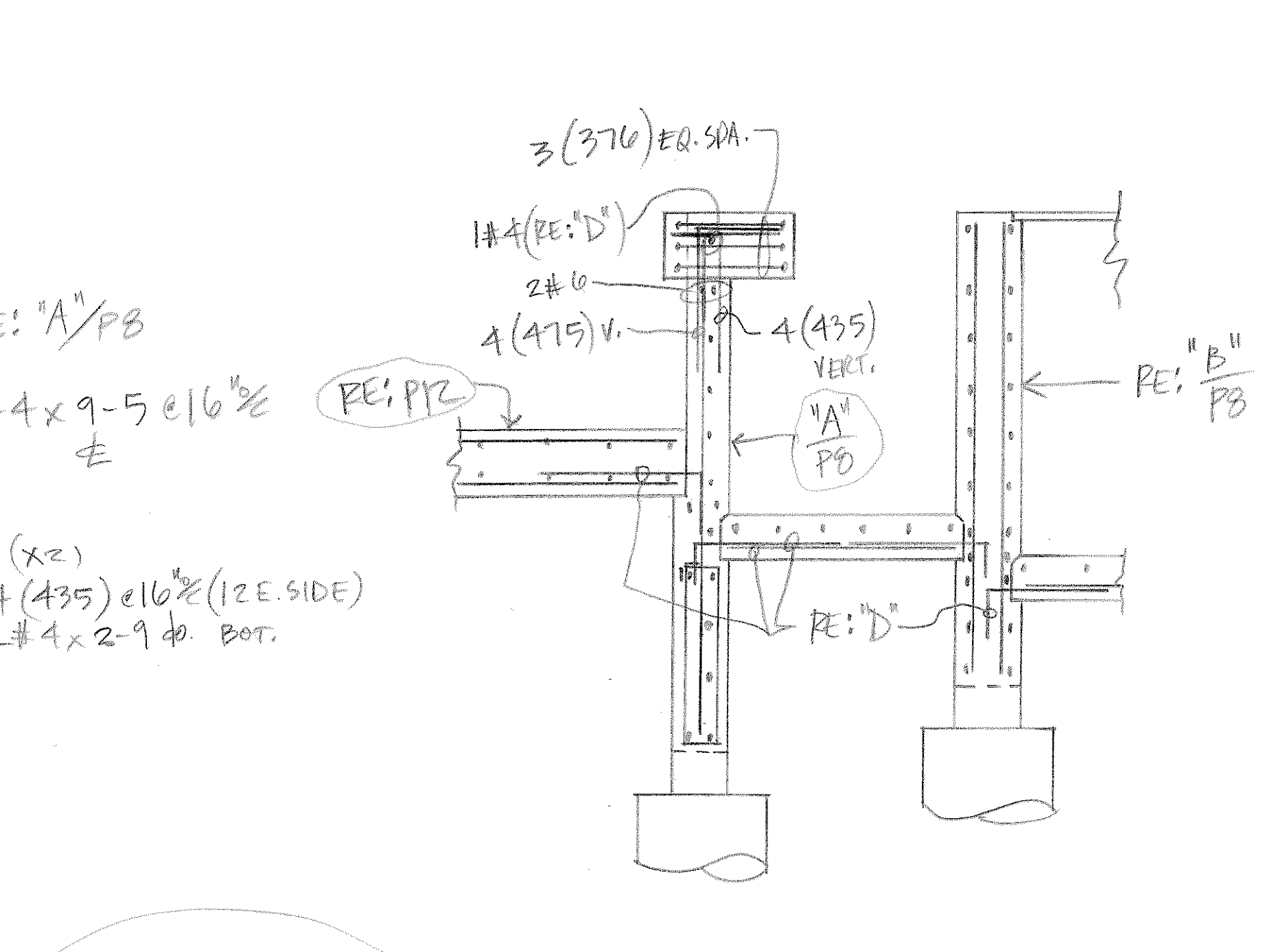
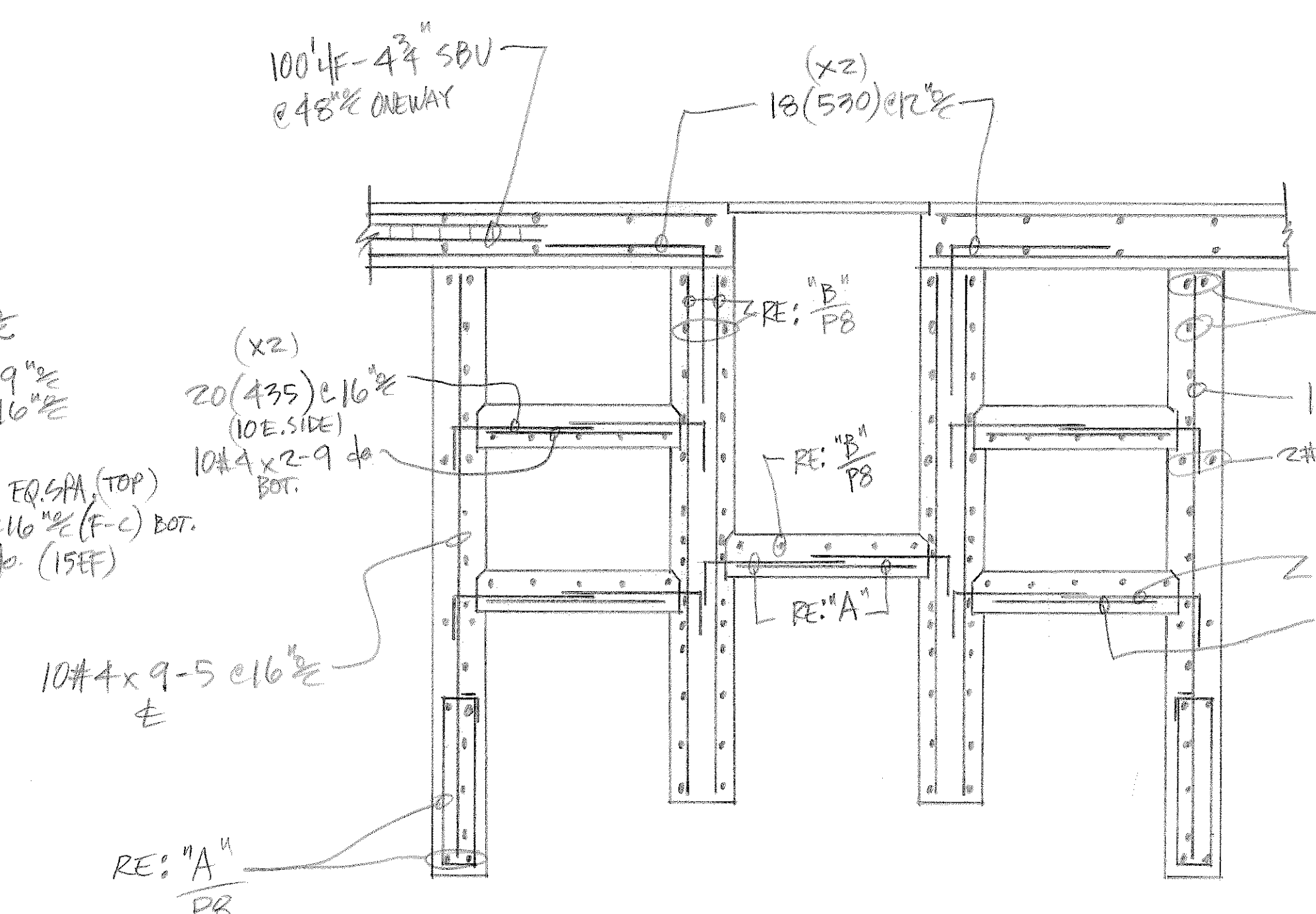
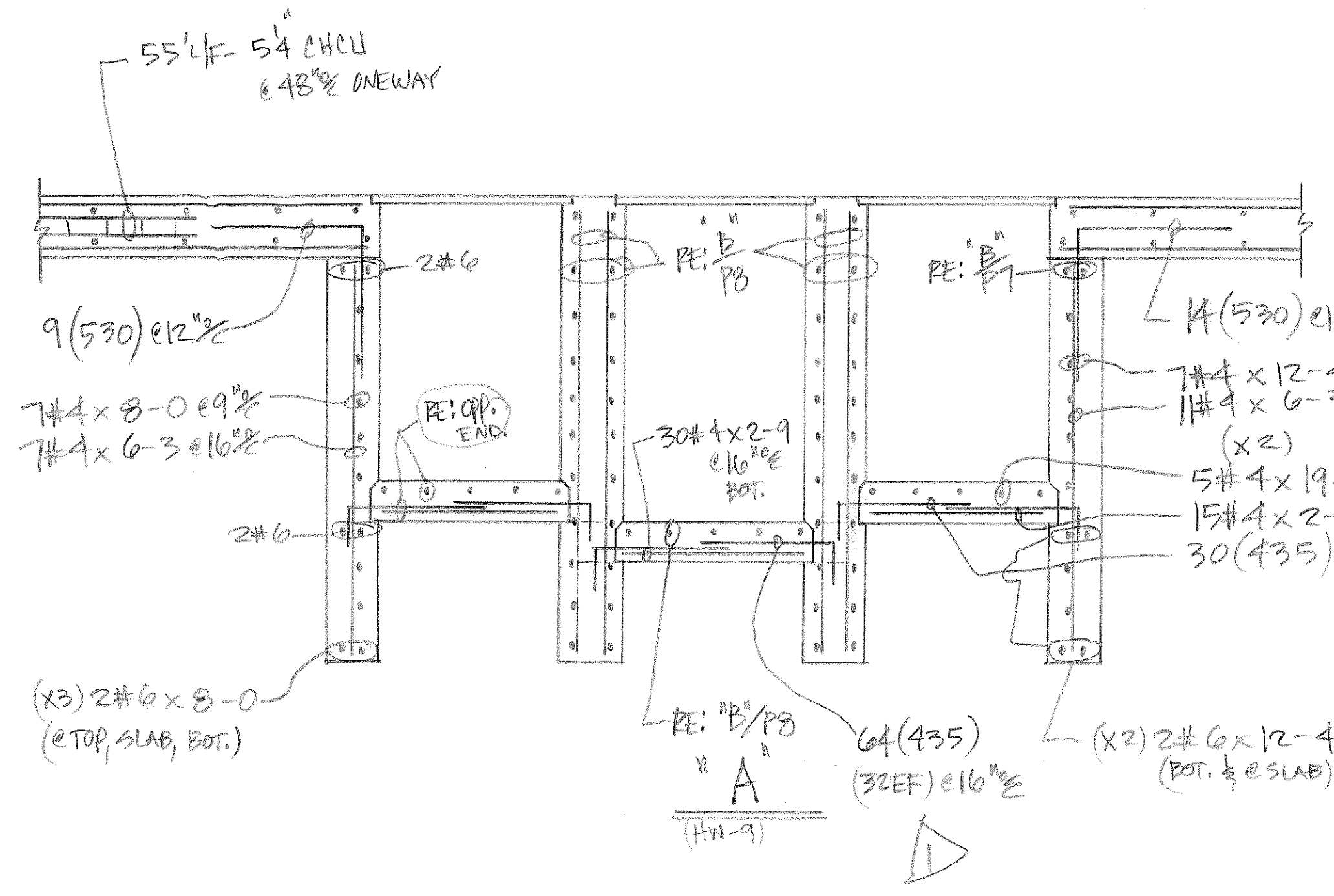
LOCATION FOUNTAIN, CO.

DESCRIPTION SEC'S. & HEADWORKS

CONTRACTOR NEAVER CONST.

ARCHITECT GMS, INC.

DRAWN: D. TAKEN	CHECKED:	DATE: 1-6-11	REVISIONS:	JOB NO. 100.82	DRAWING NO. P811
-----------------	----------	--------------	------------	----------------	------------------

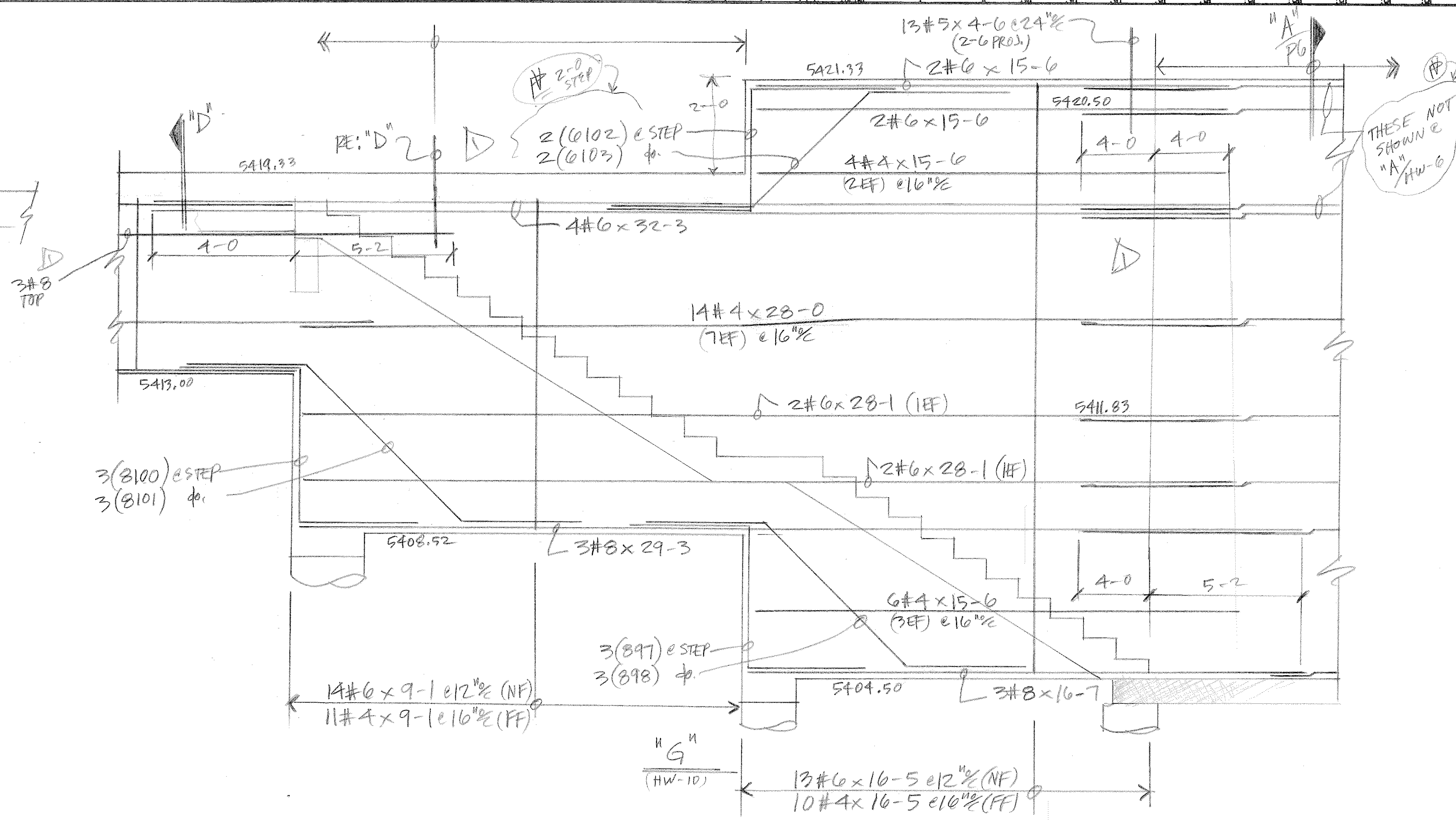
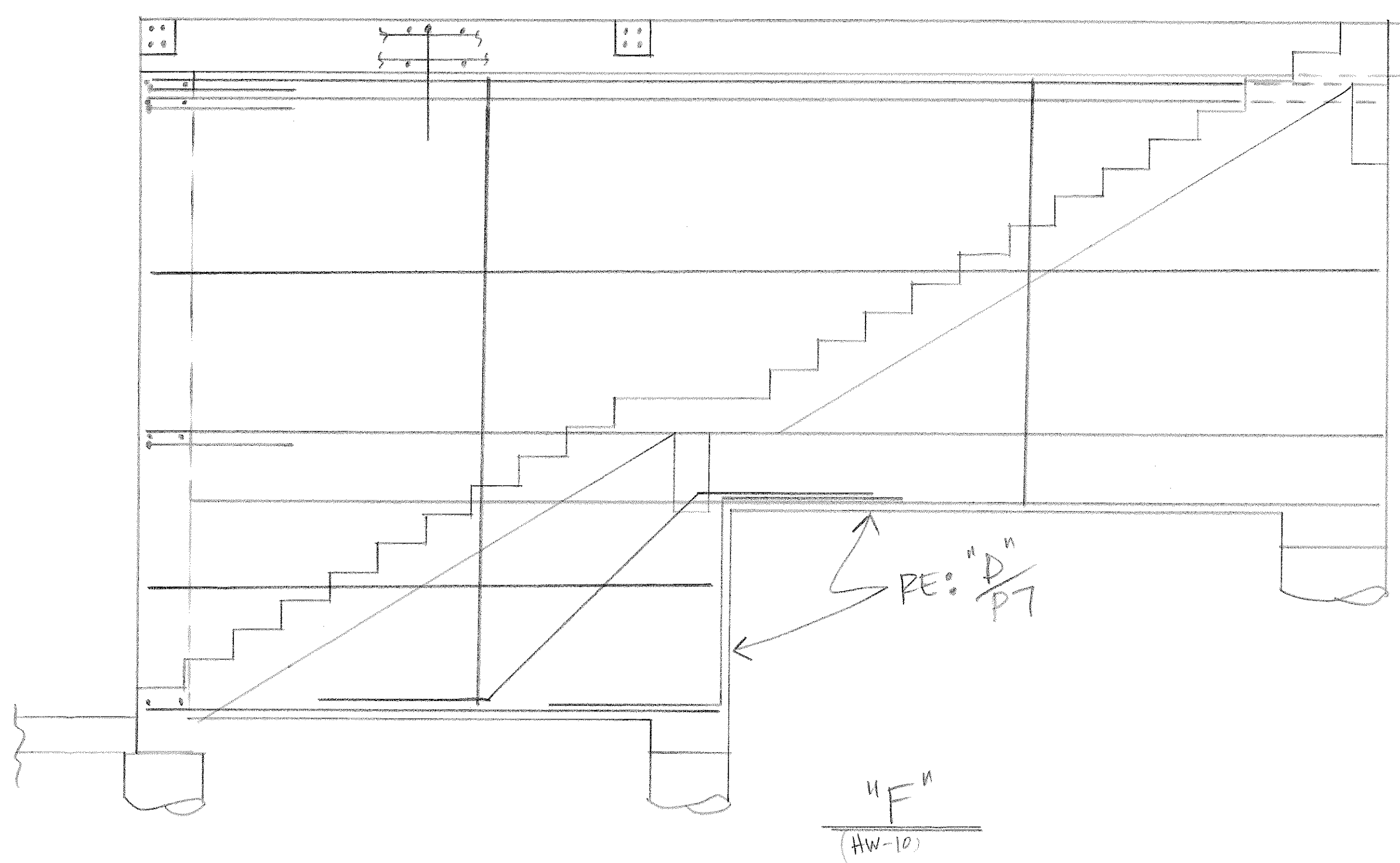


LEGEND

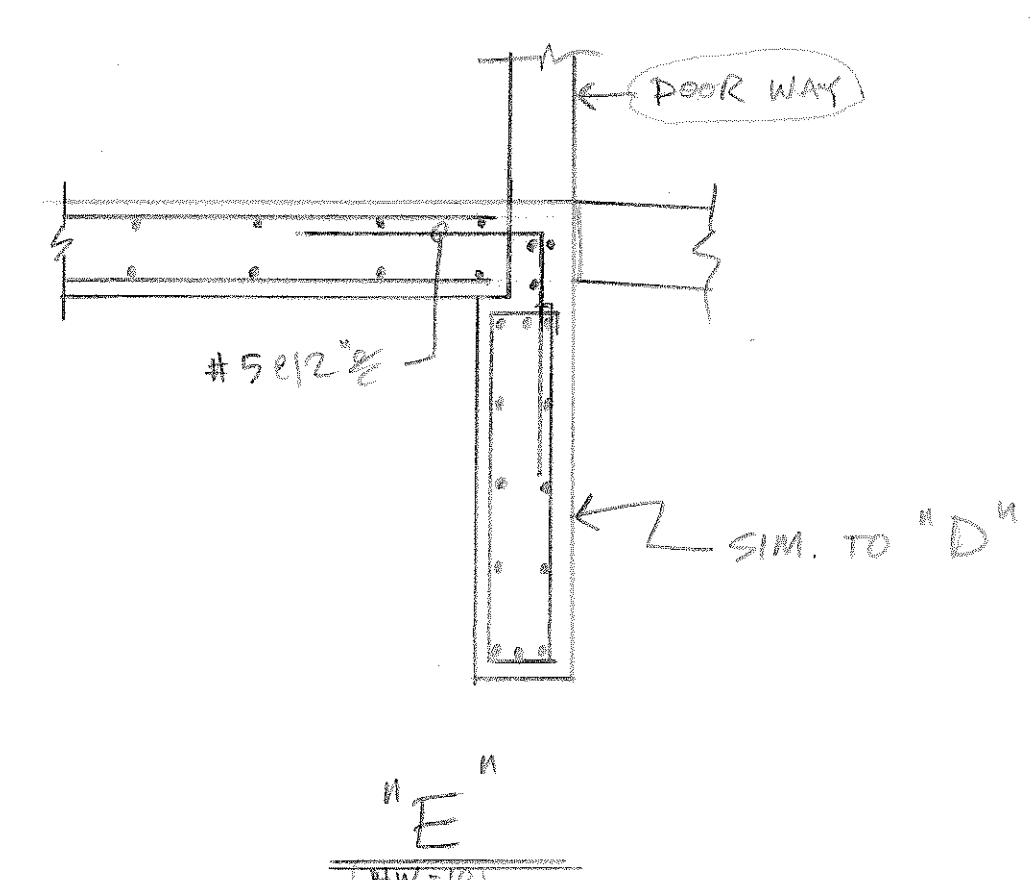
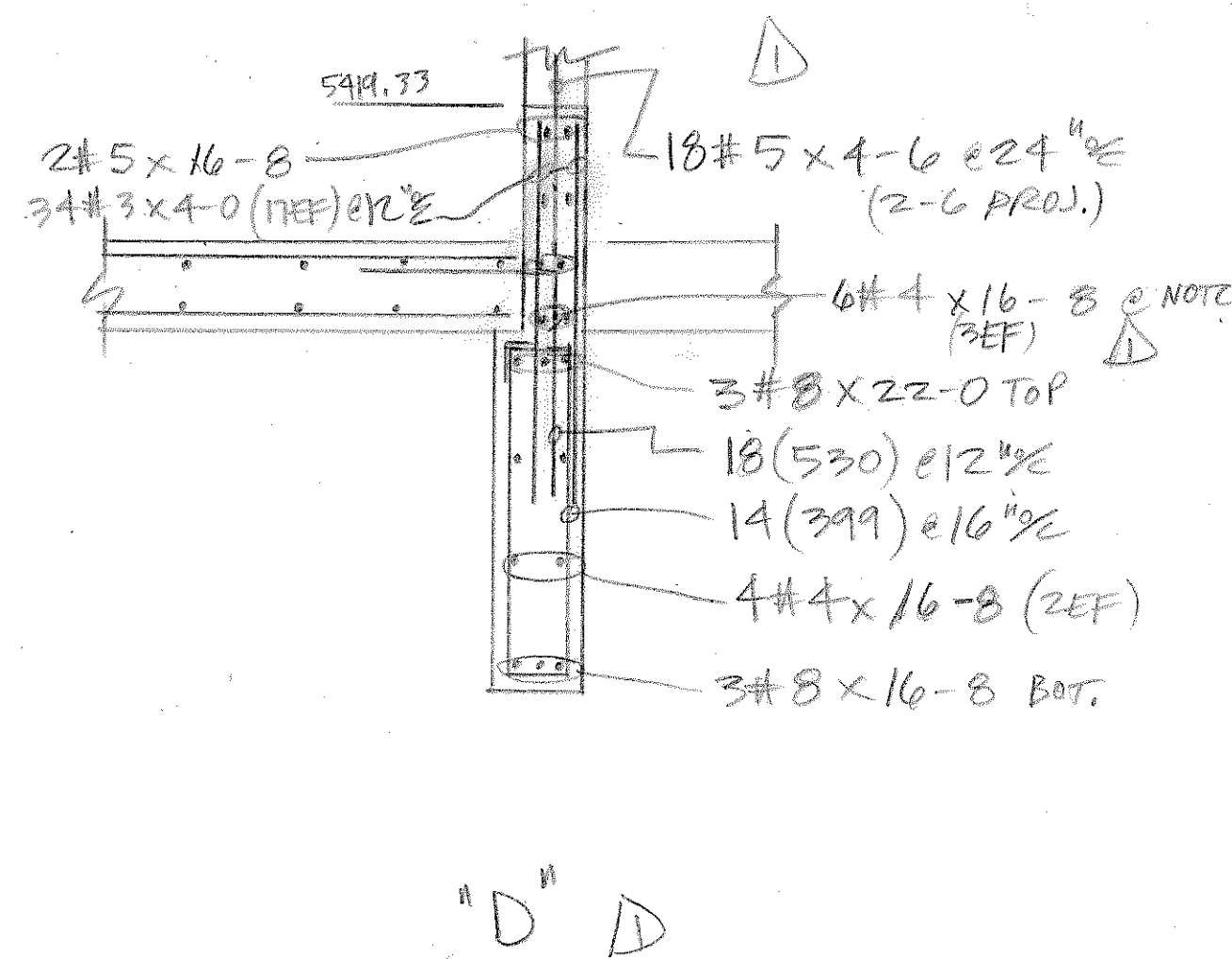
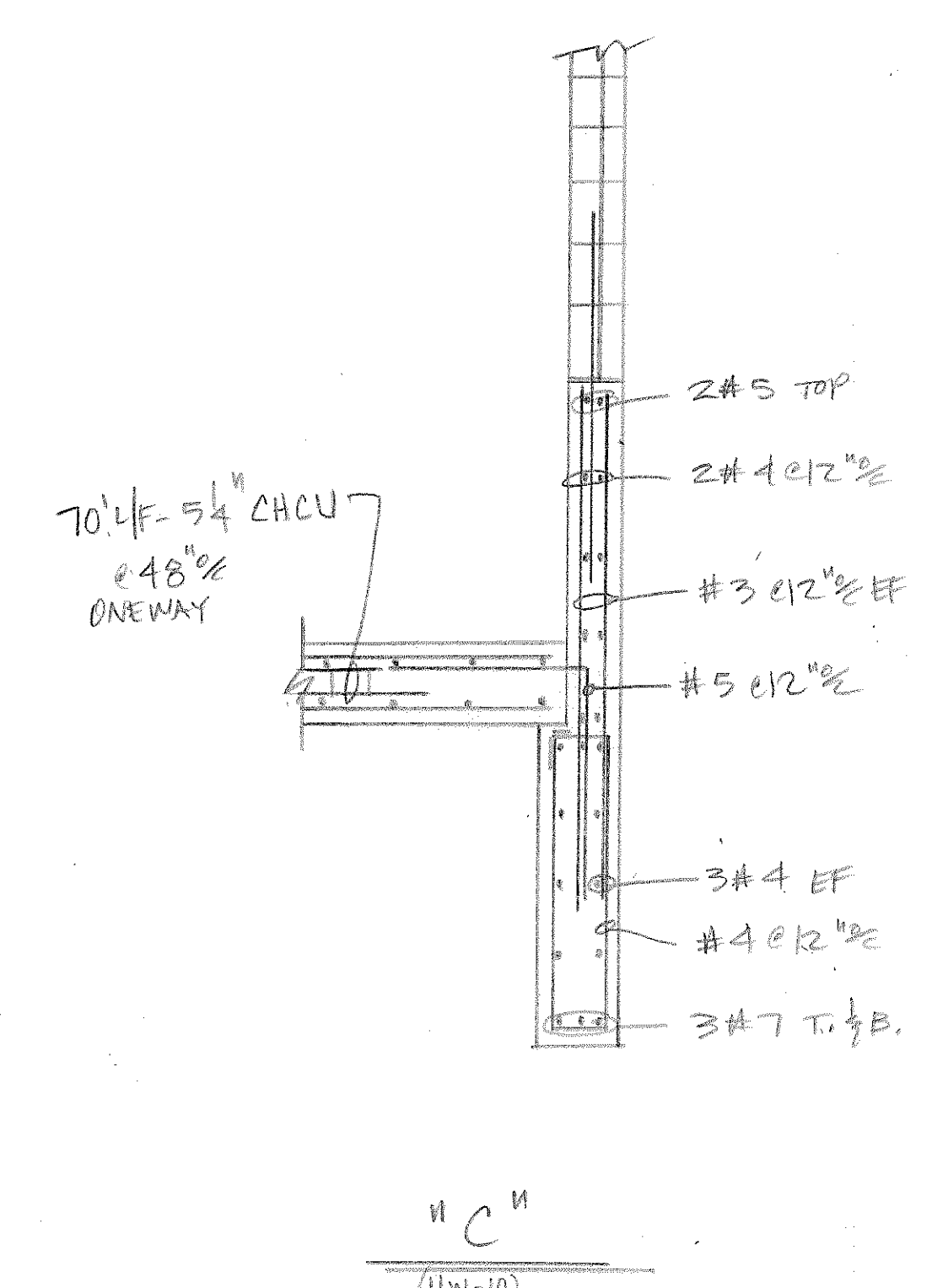
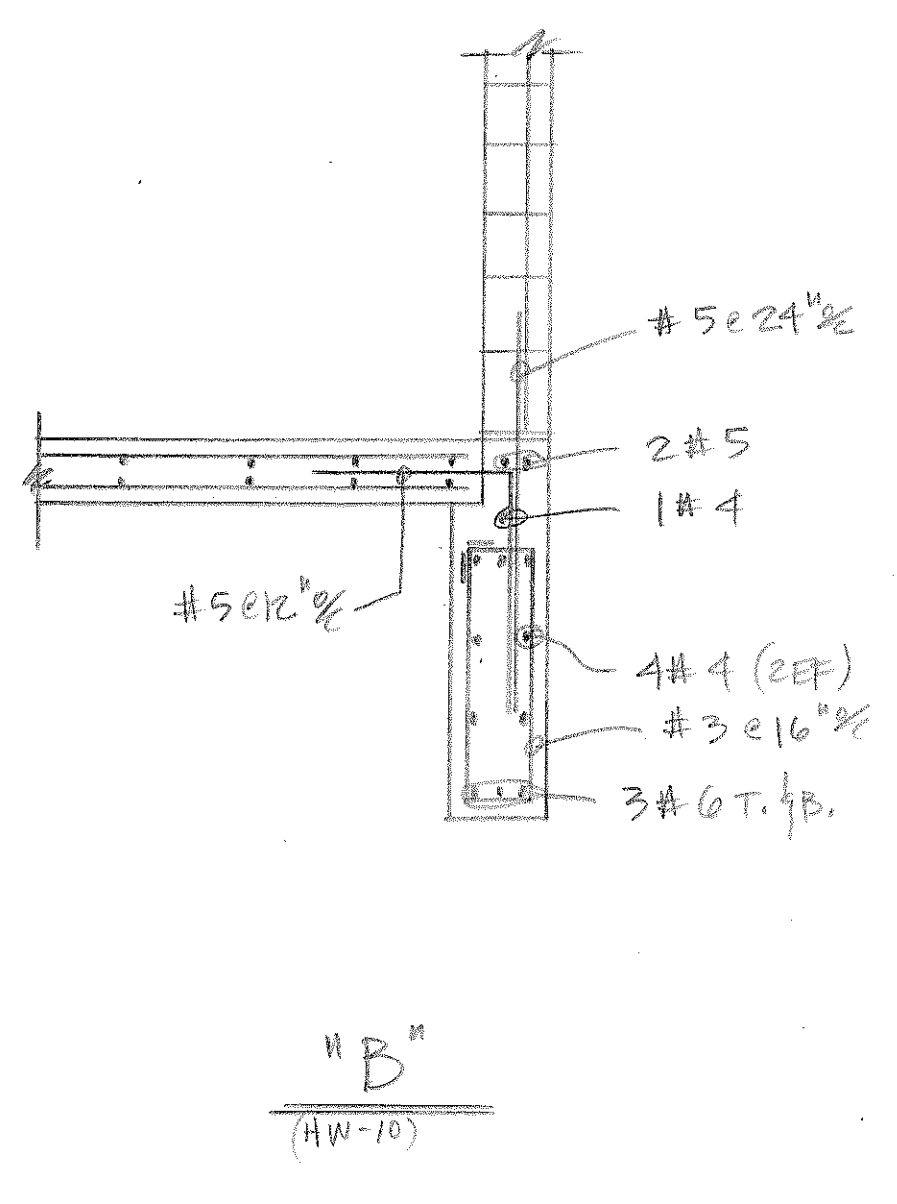
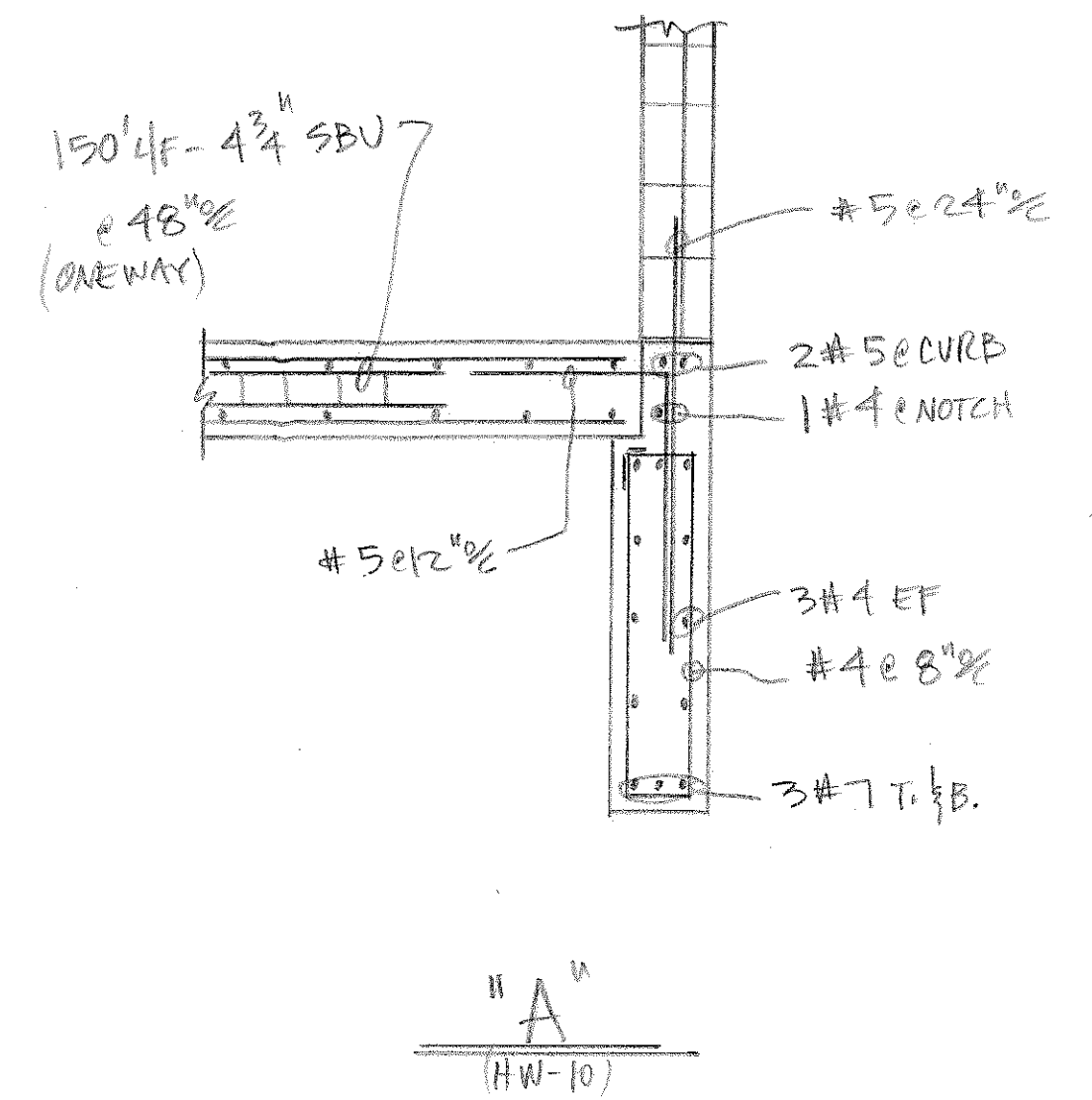
O.F.	- OUTSIDE FACE
I.F.	- INSIDE FACE
E.F.	- EACH FACE
HORIZ.	- HORIZONTAL
VERT.	- VERTICAL
DWLS.	- DOWELS
FTG.	- FOOTING
ELEV.	- ELEVATION
E.W.	- EACH WAY
T.O.F.	- TOP OF FOOTING
B.O.F.	- BOTTOM OF FOOTING
T.O.W.	- TOP OF WALL
B.O.W.	- BOTTOM OF WALL
GRD. BM.	- GRADE BEAM
MK.	- MARK
MAS.	- MASONRY
DIAG.	- DIAGONAL
COL.	- COLUMN
PROJ.	- PROJECTION
T & B	- TOP & BOTTOM
N.F.	- NEAR FACE
F.F.	- FAR FACE
%	- ON CENTER
@	- AT EACH

"G" (T.P. SEC. & WALL)
(HW-9)

NO.	DATE	ISSUED FOR
Δ 3/11/11		REVISED & RESUBMIT
AREA CODE 303 371-3950 3730 SALEM ST. DENVER, CO. 80239		
JOB: HAROLD D. THOMPSON REG. WATER RECLAIM.		
LOCATION: FOUNTAIN, CO.		
DESCRIPTION: SECS. & HEADWORKS		
CONTRACTOR: WEAVER CONST.		
ARCHITECT: GMS, INC.		
DRAWN: D. TRAM	CHECKED: GMS	DATE: 1-6-11
REVISIONS	JOB NO. 10092	DRAWING NO. P9/D



THESE NOT SHOWN @ "A" / HW-6



LEGEND	
O.F.	OUTSIDE FACE
I.F.	INSIDE FACE
E.F.	EACH FACE
HORIZ.	HORIZONTAL
VERT.	VERTICAL
DWLS.	DOWELS
FTG.	FOOTING
ELEV.	ELEVATION
E.W.	EACH WAY
T.O.F.	TOP OF FOOTING
B.O.F.	BOTTOM OF FOOTING
T.O.W.	TOP OF WALL
B.O.W.	BOTTOM OF WALL
GRD. BM.	GRADE BEAM
MK.	MARK
MAS.	MASONRY
DIAG.	DIAGONAL
COL.	COLUMN
PROJ.	PROJECTION
T & B	TOP & BOTTOM
N.F.	NEAR FACE
F.F.	FAR FACE
%	ON CENTER
@	AT EACH

NO	DATE	ISSUED FOR
3/1/11	REVISE	RESUBMIT
DALCO INDUSTRIES, INC. An Employee Owned Company AREA CODE 303 371-3950 3730 SALEM ST DENVER, COLO. 80239		
JOB HAROLD D. THOMPSON REG. WATER RECLAIM.		
LOCATION FOUNTAIN CO.		
DESCRIPTION SEC'S. @ HEADWORKS		
CONTRACTOR WEAVER CONST.		
ARCHITECT GMS, INC.		
DRAWN: D. TARIN	CHECKED:	DATE: 1-6-11
REVISIONS	JOB NO. 10082	DRAWING NO. P101A