



WEAVER GENERAL CONSTRUCTION COMPANY
 3679 S. Huron St., Suite 404
 Englewood, CO 80110
 Phone: (303) 789-4111 FAX: (303) 789-4310

SUBMITTAL TRANSMITTAL

January 10, 2010
WGC Submittal No: 03200-004

PROJECT: **Harold Thompson Regional WRF**
 Birdsall Rd.
 Fountain, CO 80817
 Job No. 2908

ENGINEER: **GMS, Inc.**
 611 No. Weber St., #300
 Colorado Springs, CO 80903
 719-475-2935 Roger Sams

OWNER: **Lower Fountain Metropolitan
 Sewage Disposal District**
 901 S. Santa Fe Ave.
 Fountain, CO 80817
 719-382-5303 James Heckman

CONTRACTOR: **Dalco Industries Inc.**
 3730 Salem Street
 Denver, CO 80239
 303-371-3950 Manuel Morales

SUBJECT: Rebar for Headworks Building (P5, P6, P7, P8, P9, P10, P11, P12)

SPEC SECTION: 03200 - Concrete Reinforcement

PREVIOUS SUBMISSION DATES: None

DEVIATIONS FROM SPEC: ___ YES X NO

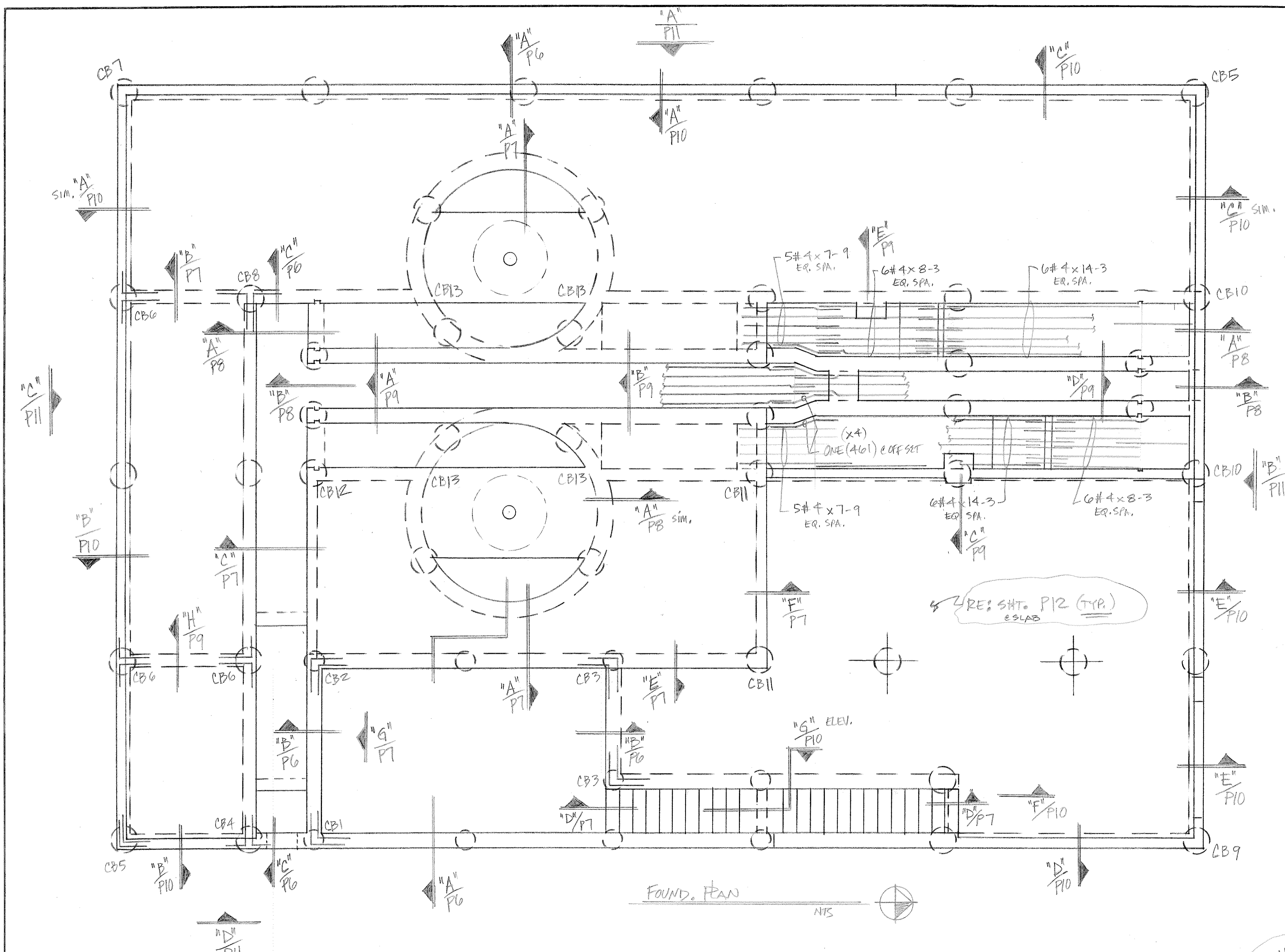
CONTRACTOR'S STAMP: This submittal has been reviewed by Weaver General Construction and approved with respect to the means, methods, techniques, & safety precautions & programs incidental thereto. Weaver General Construction also warrants that this submittal complies with contracted documents and comprises on deviations thereto:

Contractor's Stamp:

Date: 1/10/11
 Reviewed by: H.C. Myers
 (X) Reviewed Without Comments
 () Reviewed With Comments

Engineer's Stamp:

ENGINEER'S COMMENTS: _____



QTY	SIZE	TYPE	LENGTH FT. - IN.	MARK	SKETCH	A	B	C	D	E	F/R	G	H	K	J	O
7	17		727	L			3-4	4-0								
4	17		428	L			3-0	3-0								
6	17		629	L			2-10	3-6								
5	17		530	L			2-6	2-6								
3	T2		331	□		+	1-0	0-10	+	+						
3	T2		332	□		+	1-0	0-6	+	+						
6	20		633	□			4-0	2-8	4-0							
6	20		634	□			4-0	1-0	4-0							
4	17		435	□			0-8	2-2								
8	17		836	□			1-4	12-0	1-4							
3	T2		337	□		+	0-8	0-8	+	+						
8	9		838	()			18-6				6-9		+			+
8	9		839	()			17-3				6-3		+			+
8	9		840	()			16-2				5-9		+			+
8	17		841	□			1-4	13-8	1-4							
8	17		842	□			1-4	13-6	1-4							
8	17		843	□			1-4	13-1	1-4							
8	17		844	□			1-4	12-3	1-4							
8	17		845	□			1-4	11-1	1-4							
8	17		846	□			1-4	9-4	1-4							
4	17		447	□			0-8	2-6								
4	17		448	□			0-8	4-0	0-8							
4	17		449	□			0-8	3-10	0-8							
4	17		450	□			0-8	3-5	0-8							
4	17		451	□			0-8	2-8	0-8							
4	17		452	□			0-8	1-5	0-8							
7	9		753	()			18-0				6-10		+			+
7	9		754	()			17-3				6-6		+			+
7	9		755	()			16-9				6-2		+			+
6	9		656	()			17-0				6-10		+			+
6	9		657	()			15-9				6-2		+			+
4	9		458	()			16-6				6-10		+			+
4	9		459	()			15-3				6-2		+			+
4	3		460	—			1-9	+	2-3				0-6	1-4		
4	3		461	—			2-3	+	2-3				0-6	1-4		
6	3		662	—			3-3	+	3-3				0-6	1-4		
4	17		463	□			0-8	5-6								
3	T2		364	□		+	0-4	0-8	+	+						
4	20		465	□			1-4	0-10	1-4							
4	17		466	□			0-10	3-8	0-10							
4	17		467	□			0-10	3-0	0-10							
3	17		368	□			0-6	2-6								
4	17		469	□			0-8	2-8								
4	17		470	□			2-8	1-8	2-8							
3	T2		371	□		+	0-6	2-8	+	+						
6	20		672	□			4-0	2-6	4-0							
6	3		673	—			3-0	+	4-0					2-10	10-9	
6	3		674	—			3-0	+	5-6					2-6	9-3	
4	17		475	□			1-4	2-2								
3	T2		376	□		+	1-8	1-8	+	+						
4	3		477	—			1-0	+	1-0					0-3	1-0	
4	3		478	—			1-0	1-0						0-3	+	
4	17		479	□			0-8	3-6								
4	17		480	□			1-0	2-4								

CORNER BAR SCHED.		NK.	QTY.	BAR	NK.	QTY.	BAR
CB1	ONE	CB6	3	4(6106) 2T/B 2(4107) 1EF, M.	CB12	ONE	6(6106) 2T, M, B. 18(4107) 9EF
CB2	ONE	CB7	ONE	6(7105) 3T/B 7(4107) 2EF/1 MATCH 2(530) CURB	CB13	4	4(6109) 1F 4(6110) 0F 6(4111) 1F ALT. 6(4112) 0F (40.)
CB3	2	CB8	ONE	6(6106) 2T, M, B 12(4107) 6EF			
CB4	ONE	CB9	ONE	6(8108) 3T/B 5(4107) 2EF, 1 MATCH 2(530) CURB			
CB5	2	CB10	2	6(6106) 2T, M, B 12(4107) 6EF			
		CB11	2	6(6106) 2T, M, B 3(4107) MID.			

NOTE: REF. P11
BALANCE OF
BENDINGS ...

(38bd) (38bd)
(TOP) LAP (OTHER)
1-6 - #3 - 1-3
2-0 - 4 - 1-7
2-6 - 5 - 2-0
3-0 - 6 - 2-5
3-6 - 7 - 2-10
4-0 - 8 - 3-2
4-7 - 9 - 3-7
5-1 - 10 - 4-0
5-6 - 11 - 4-5

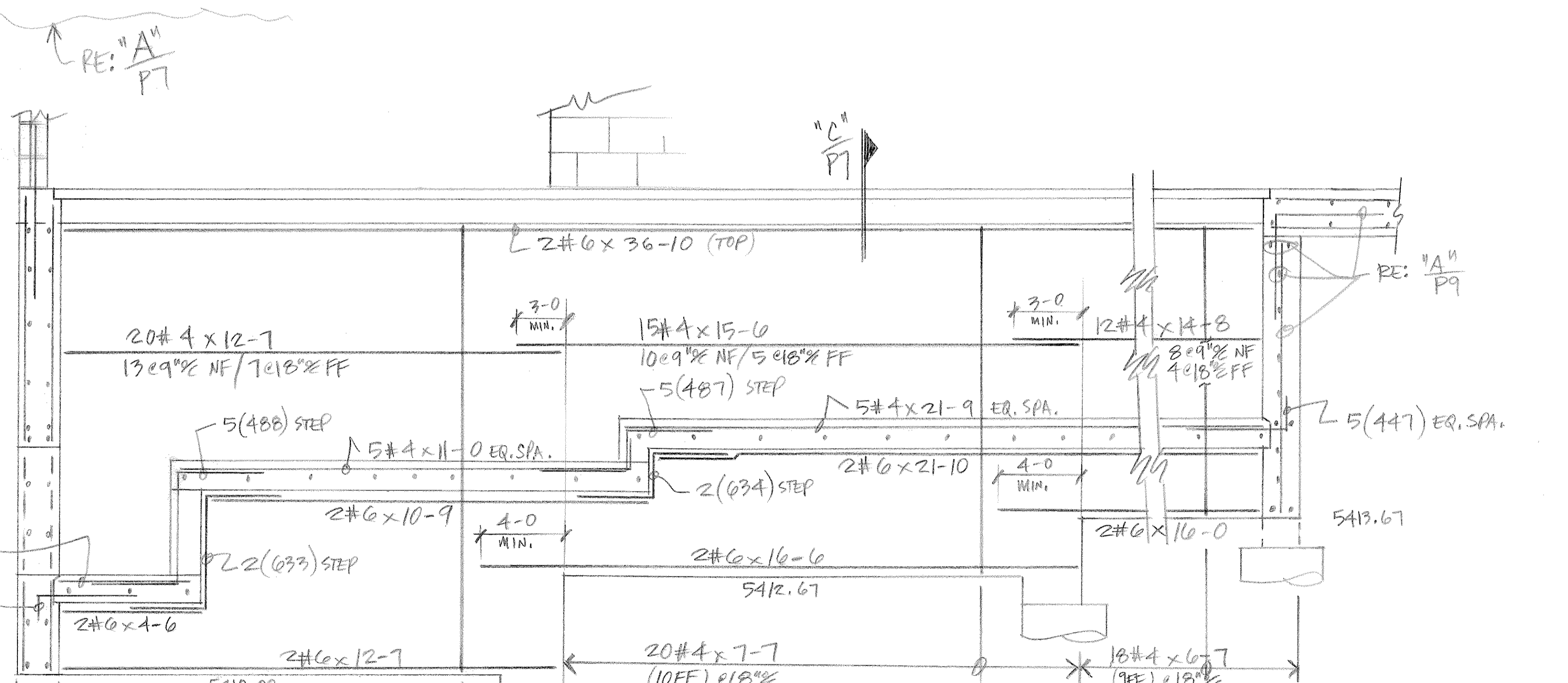
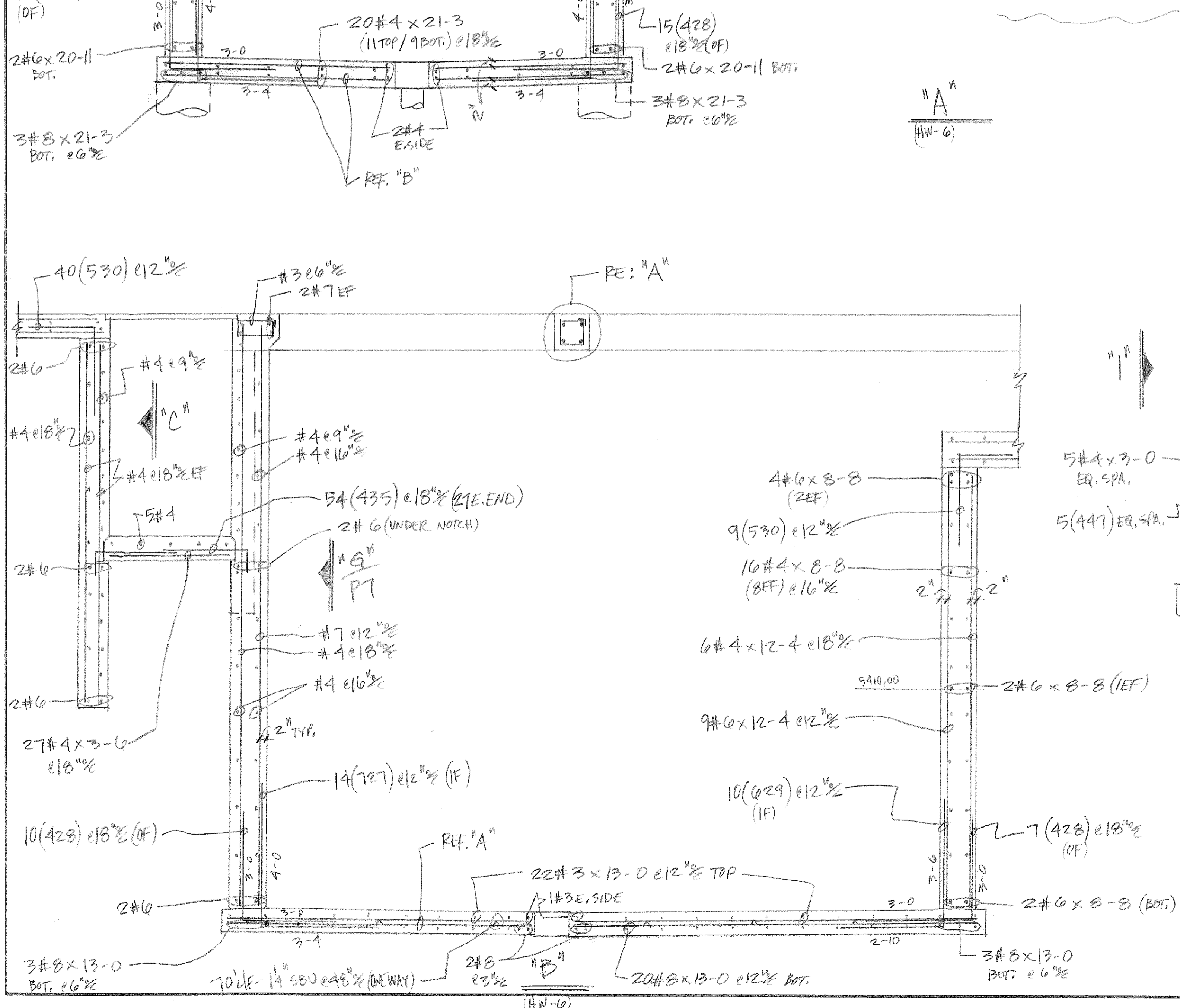
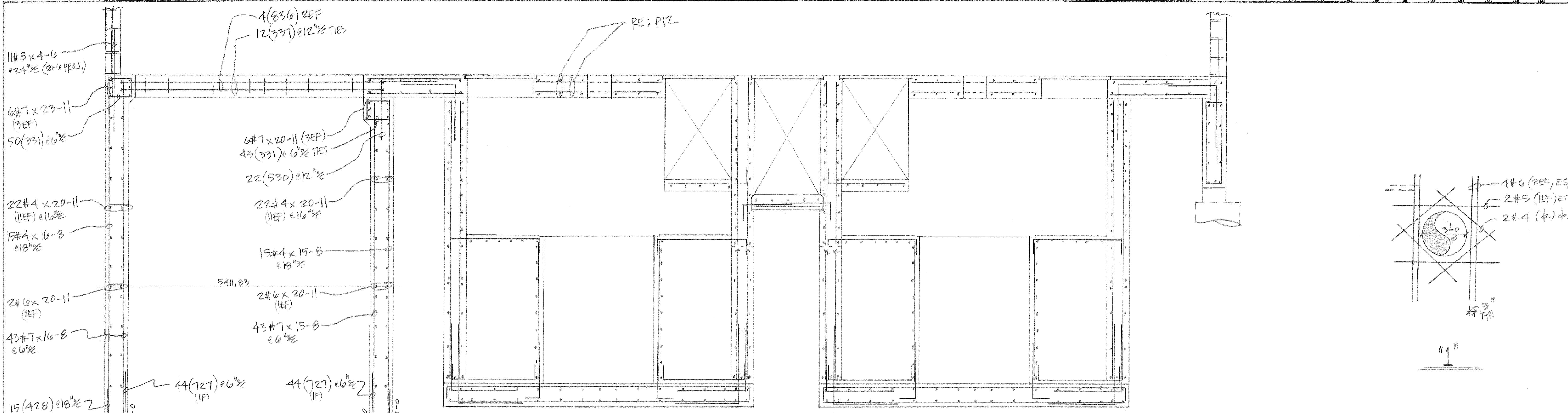
LEGEND
 O.F. - OUTSIDE FACE
 I.F. - INSIDE FACE
 E.F. - EACH FACE
 HORIZ. - HORIZONTAL
 VERT. - VERTICAL
 DWLS. - DOWELS
 FTG. - FOOTING
 ELEV. - ELEVATION
 E.W. - EACH WAY
 T.O.F. - TOP OF FOOTING
 B.O.F. - BOTTOM OF FOOTING
 T.O.W. - TOP OF WALL
 B.O.W. - BOTTOM OF WALL
 GR. BM. - GRADE BEAM
 MK. - MARK
 MAS. - MASONRY
 DIAG. - DIAGONAL
 COL. - COLUMN
 PROJ. - PROJECTION
 T & B - TOP & BOTTOM
 N.F. - NEAR FACE
 F.F. - FAR FACE
 % - ON CENTER
 @ - AT EACH

NO. DATE ISSUED FOR

DALCO INDUSTRIES, INC.
An Employee Owned Company
AREA CODE 303 371-3950 3730 SALEM ST. DENVER, COLO. 80239

JOB HAROLD D. THOMPSON REG. WATER RECLAIM.
 LOCATION FOUNTAIN, Co.
 DESCRIPTION PLAN & HEADWORKS
 CONTRACTOR WEAVER CONST.
 ARCHITECT GMS, INC.

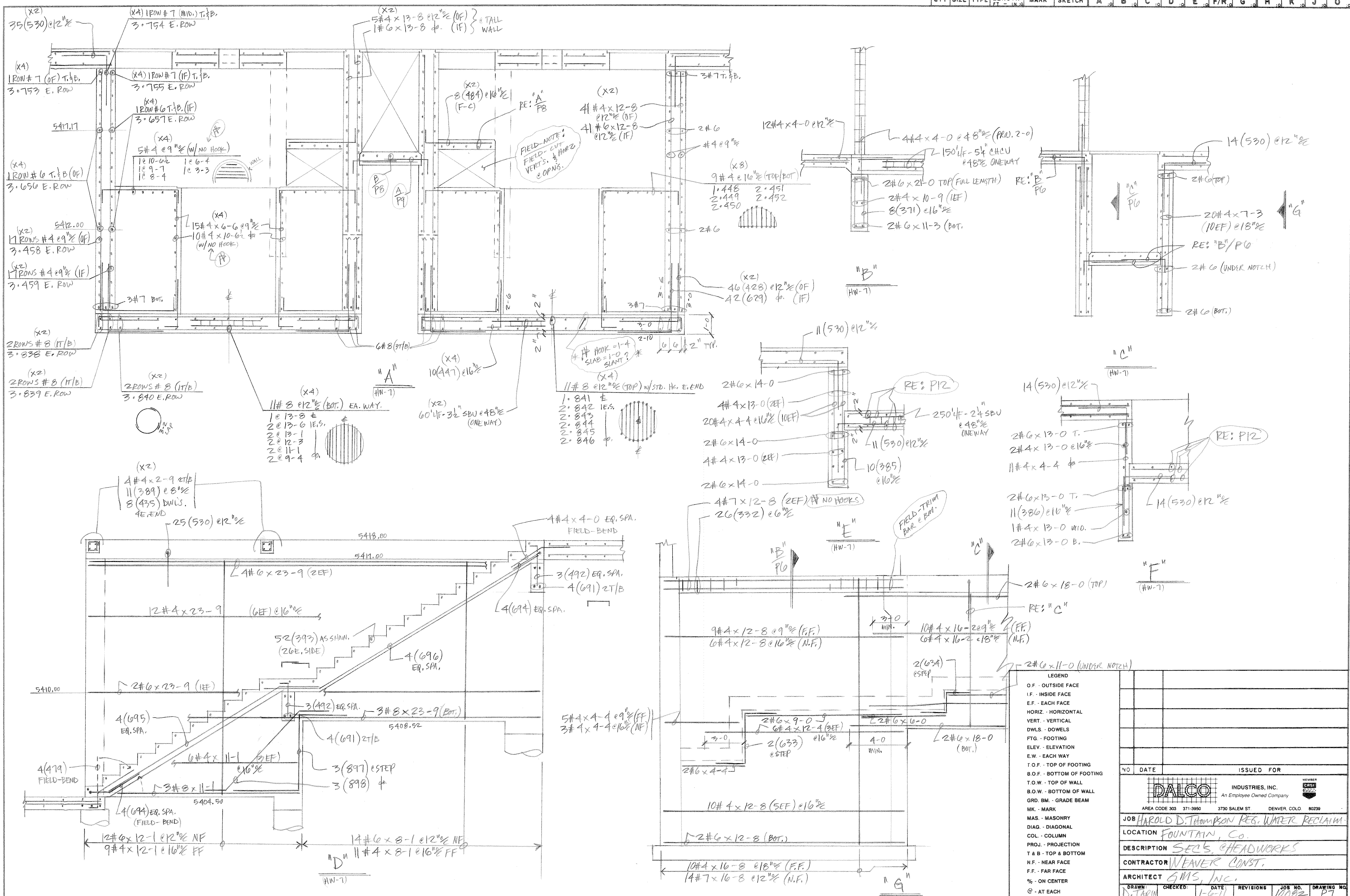
DRAWN: D. TARIN CHECKED: DATE: 1-6-11 REVISIONS: JOB NO. 10082 DRAWING NO. P5

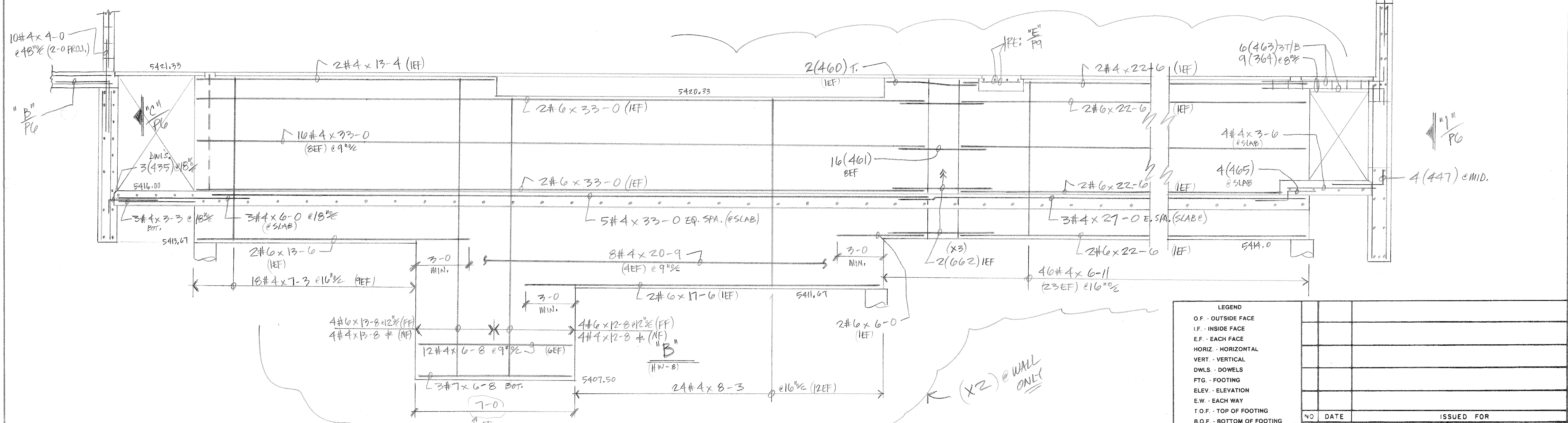
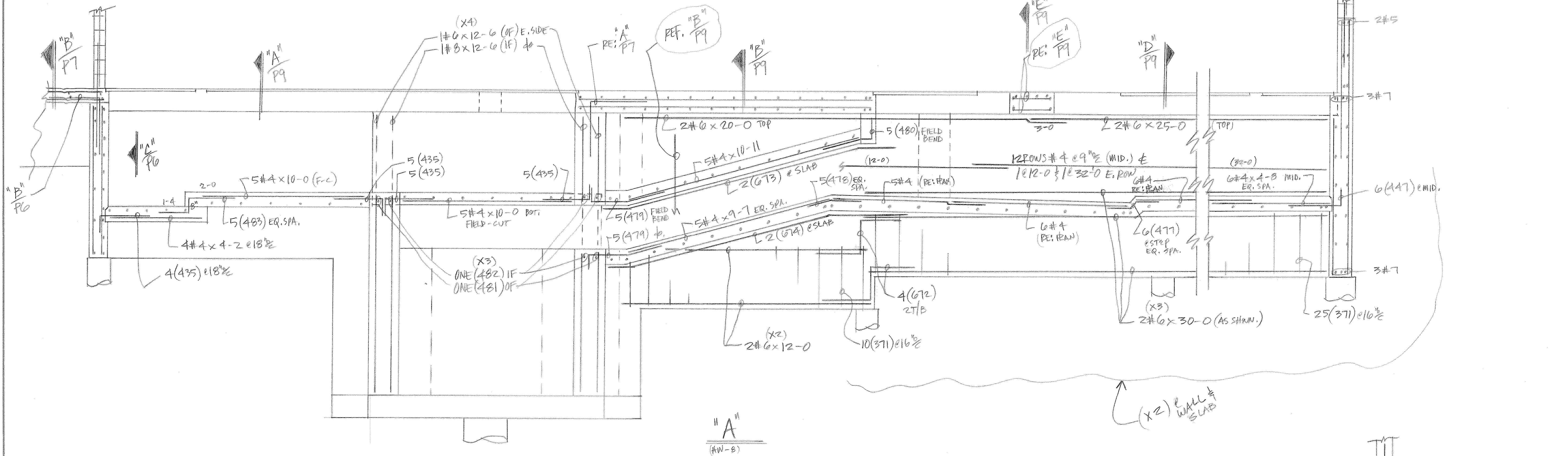


LEGEND

- O.F. - OUTSIDE FACE
- I.F. - INSIDE FACE
- E.F. - EACH FACE
- HORIZ. - HORIZONTAL
- VERT. - VERTICAL
- DWLS. - DOWELS
- FTG. - FOOTING
- ELEV. - ELEVATION
- E.W. - EACH WAY
- T.O.F. - TOP OF FOOTING
- B.O.F. - BOTTOM OF FOOTING
- T.O.W. - TOP OF WALL
- B.O.W. - BOTTOM OF WALL
- GRD. BM. - GRADE BEAM
- MK. - MARK
- MAS. - MASONRY
- DIAG. - DIAGONAL
- COL. - COLUMN
- PROJ. - PROJECTION
- T & B - TOP & BOTTOM
- N.F. - NEAR FACE
- F.F. - FAR FACE
- φ - ON CENTER
- @ - AT EACH

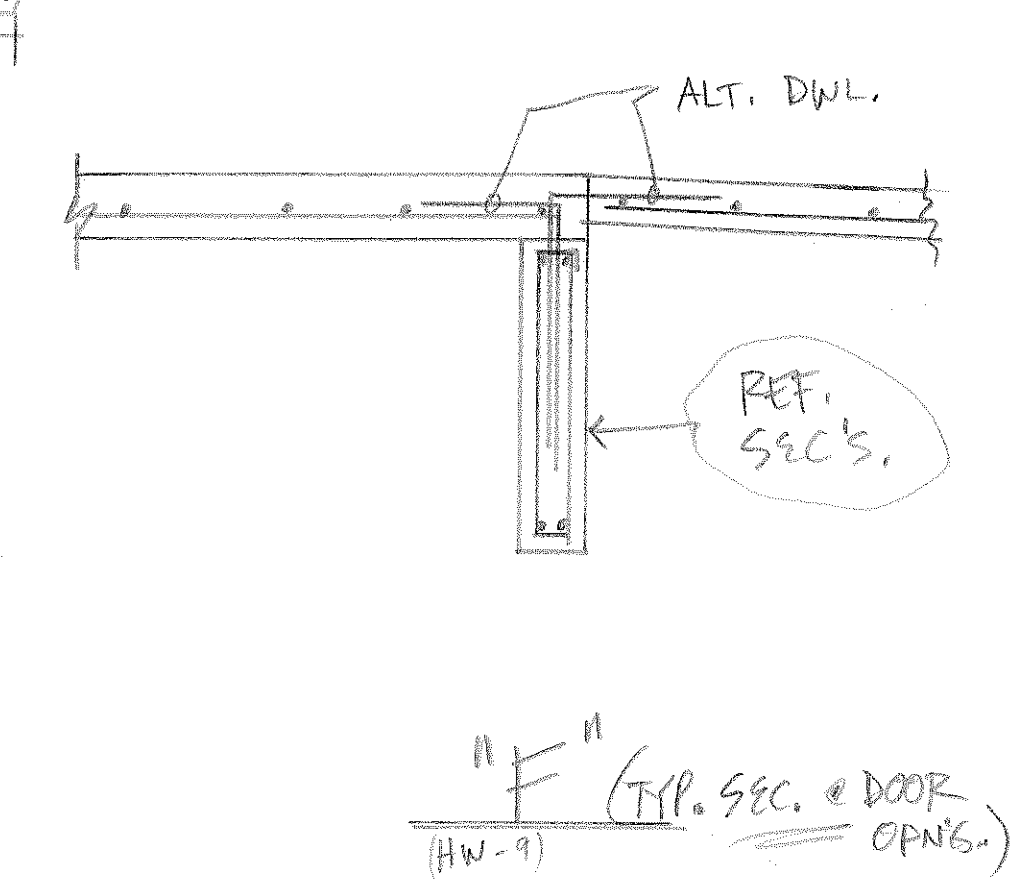
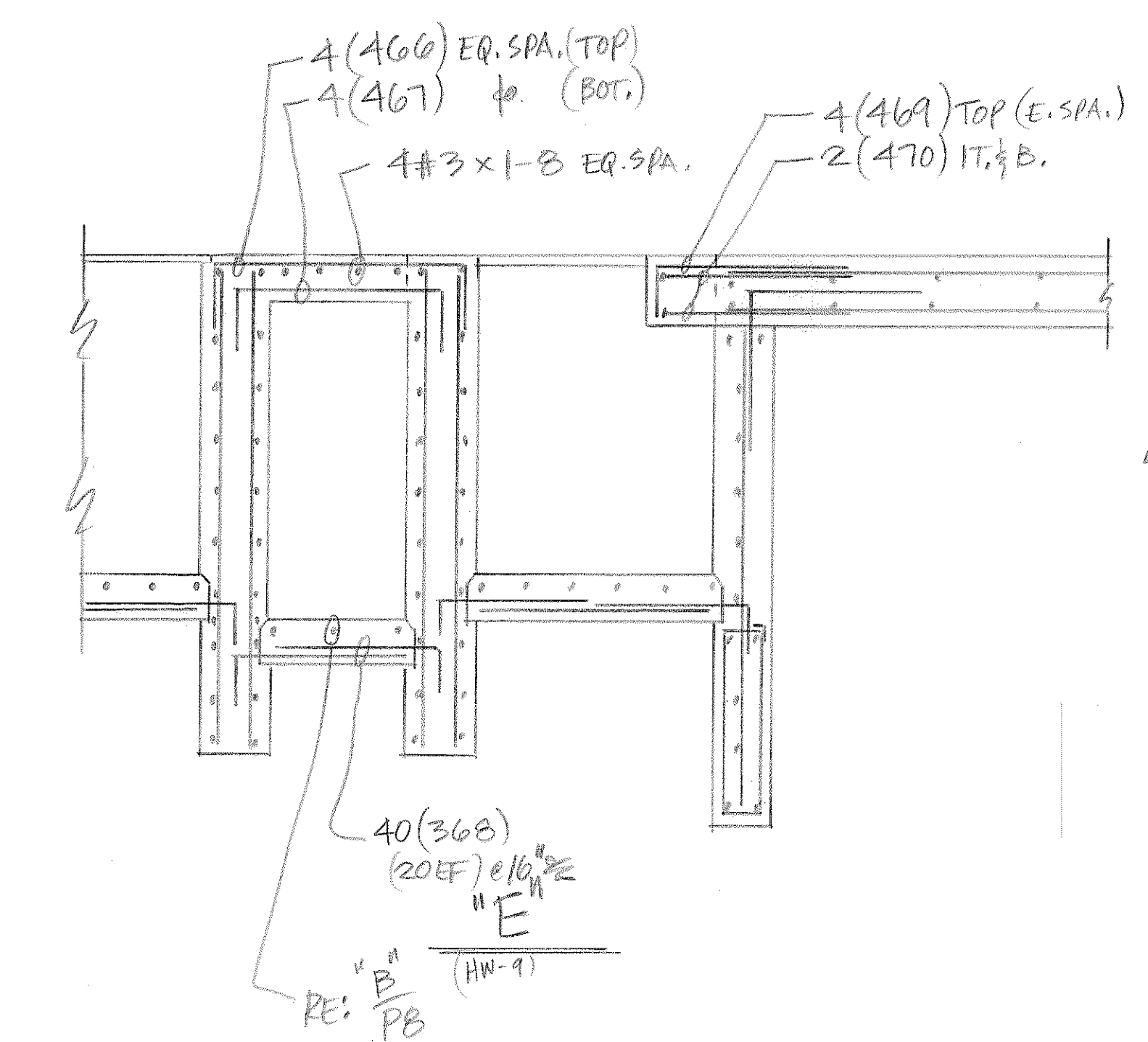
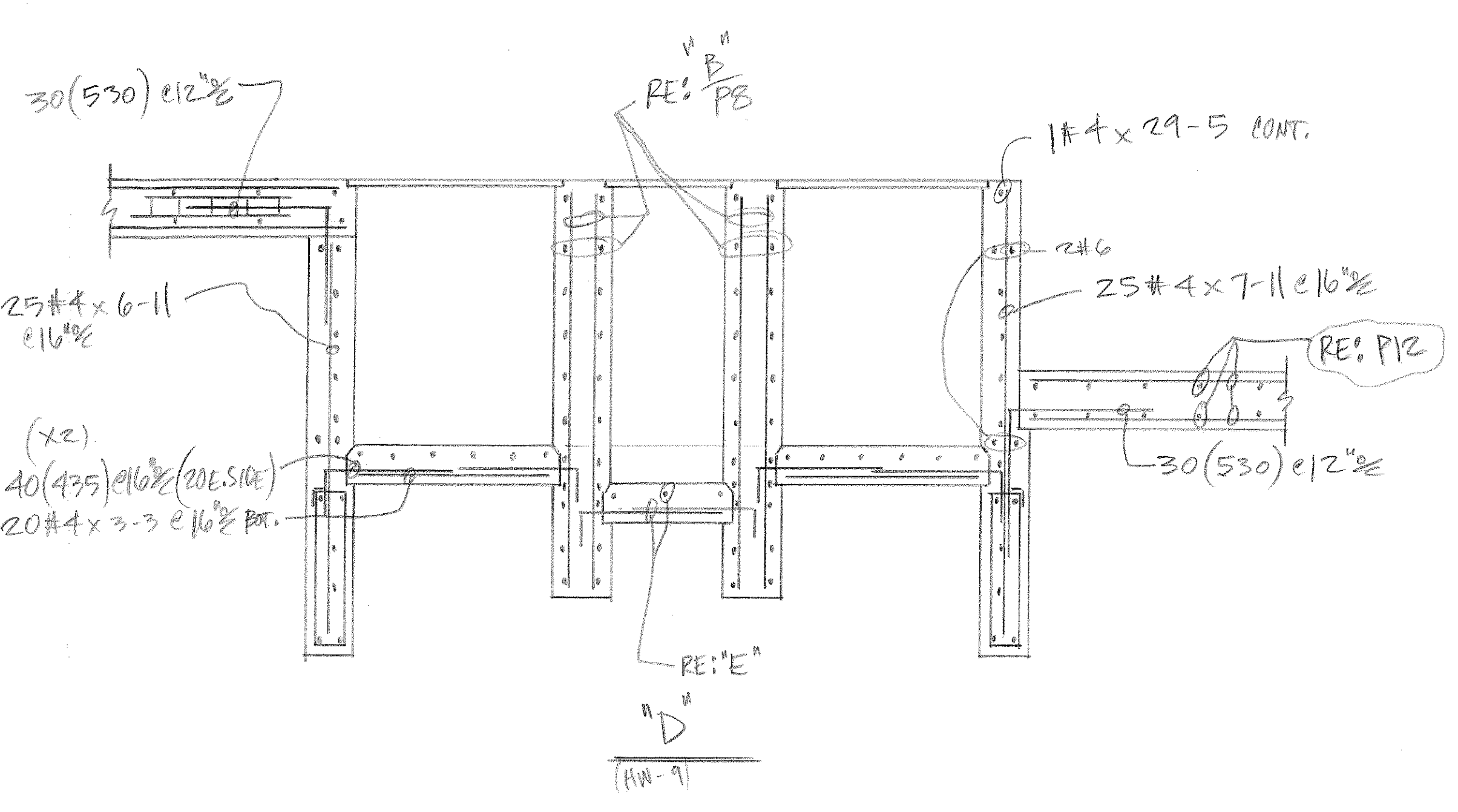
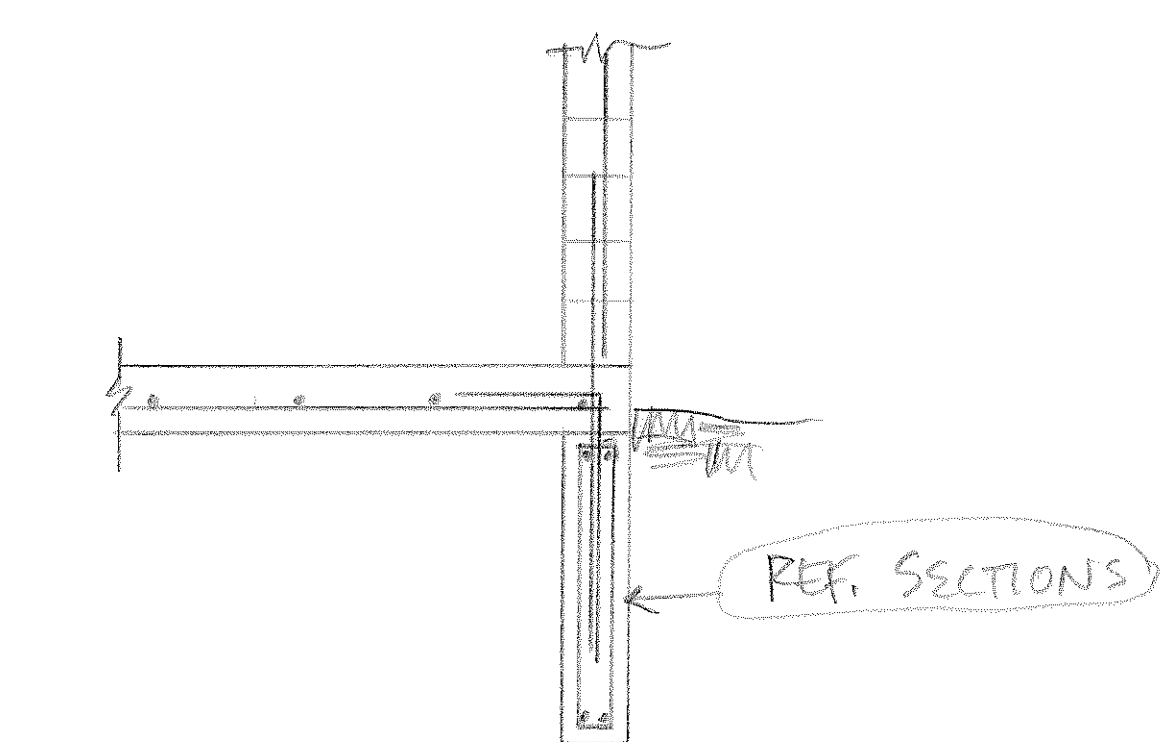
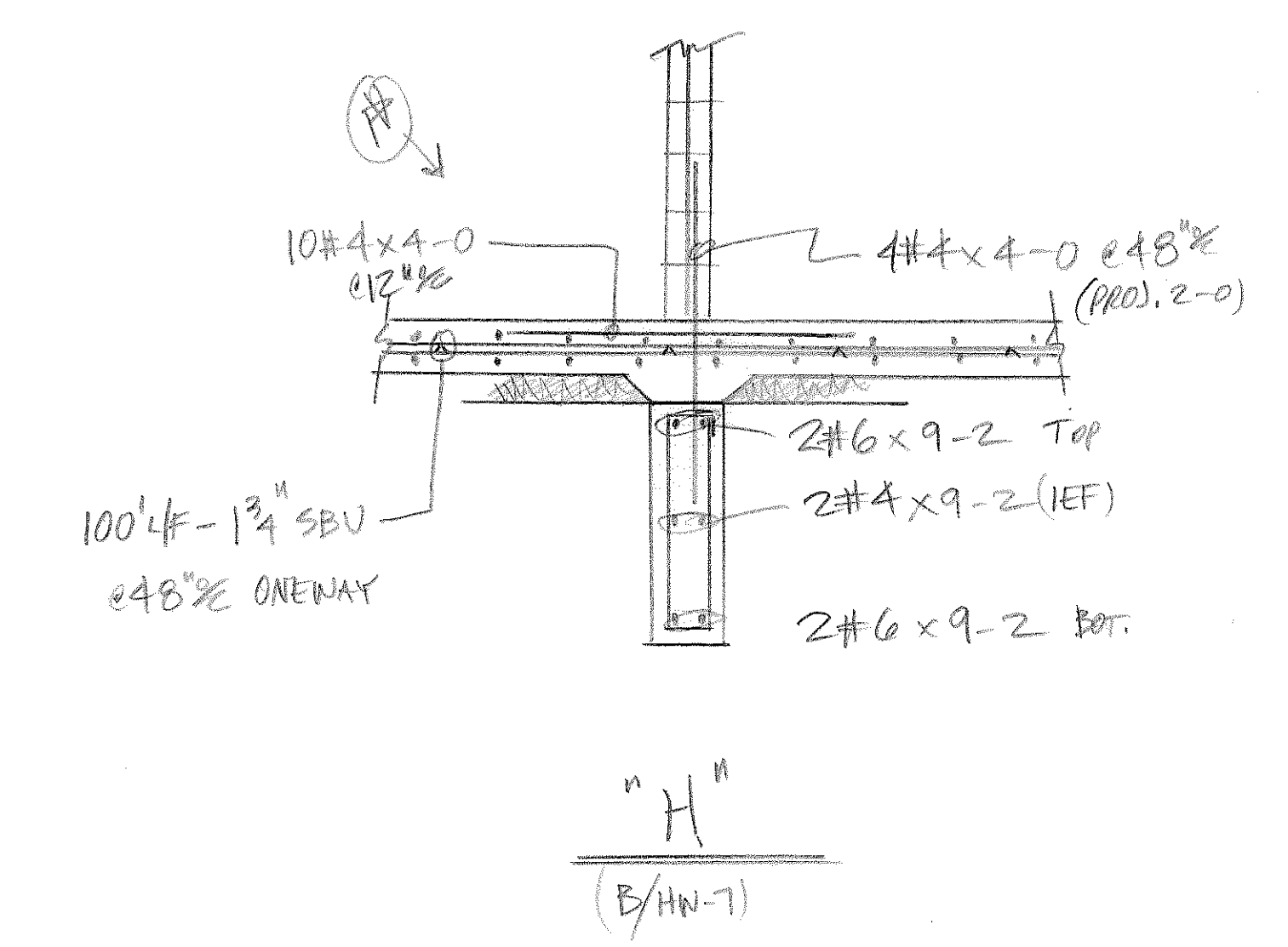
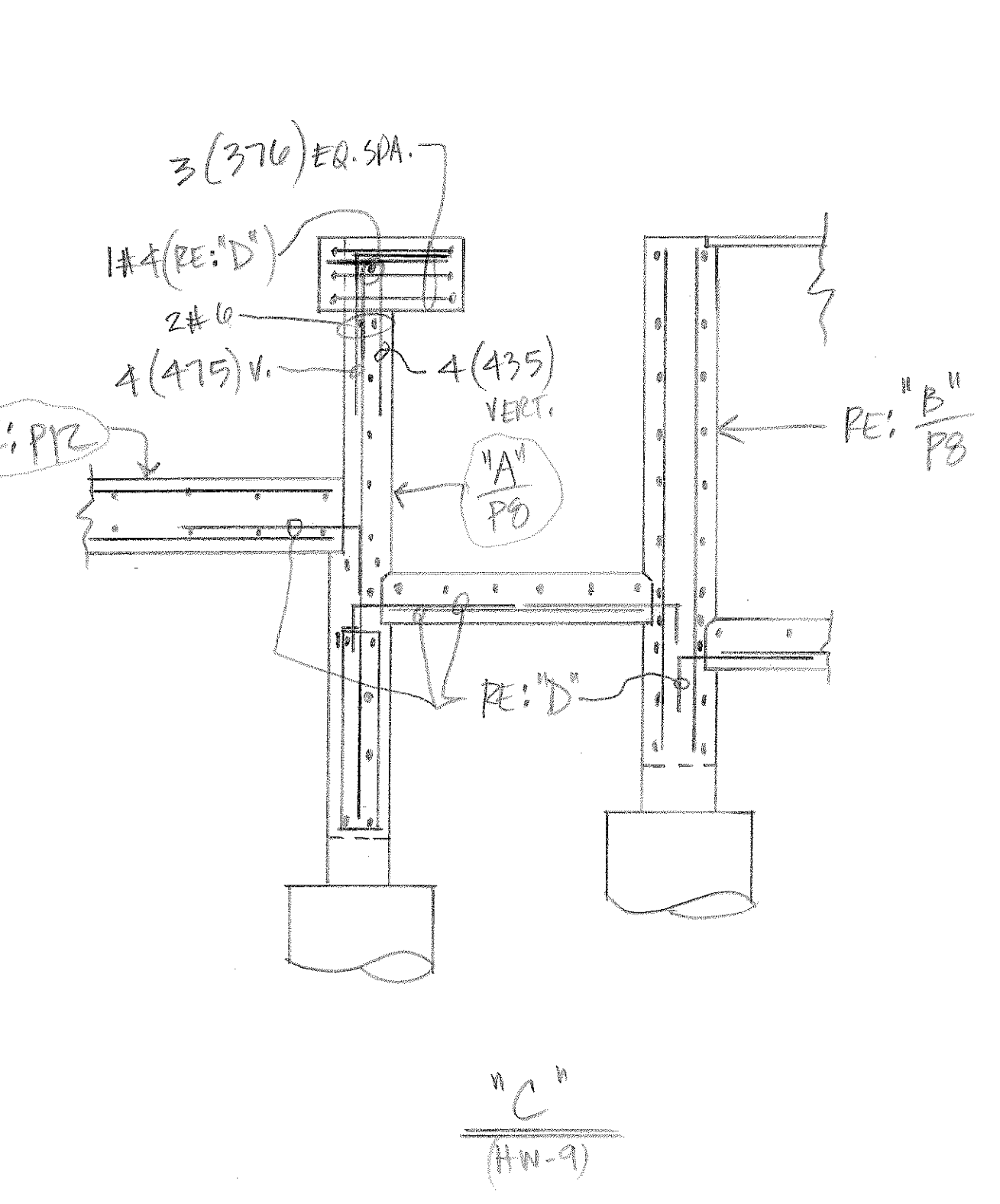
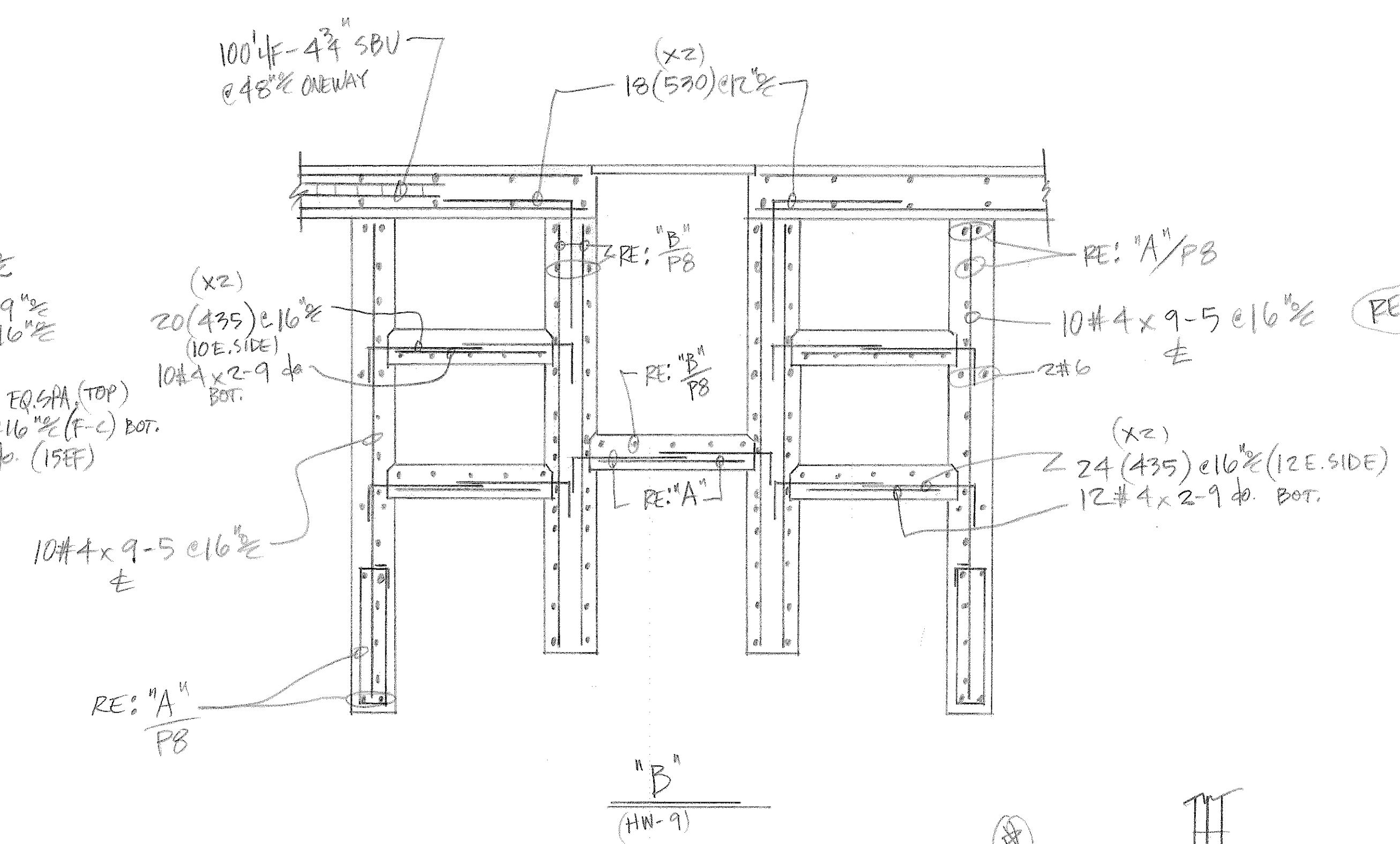
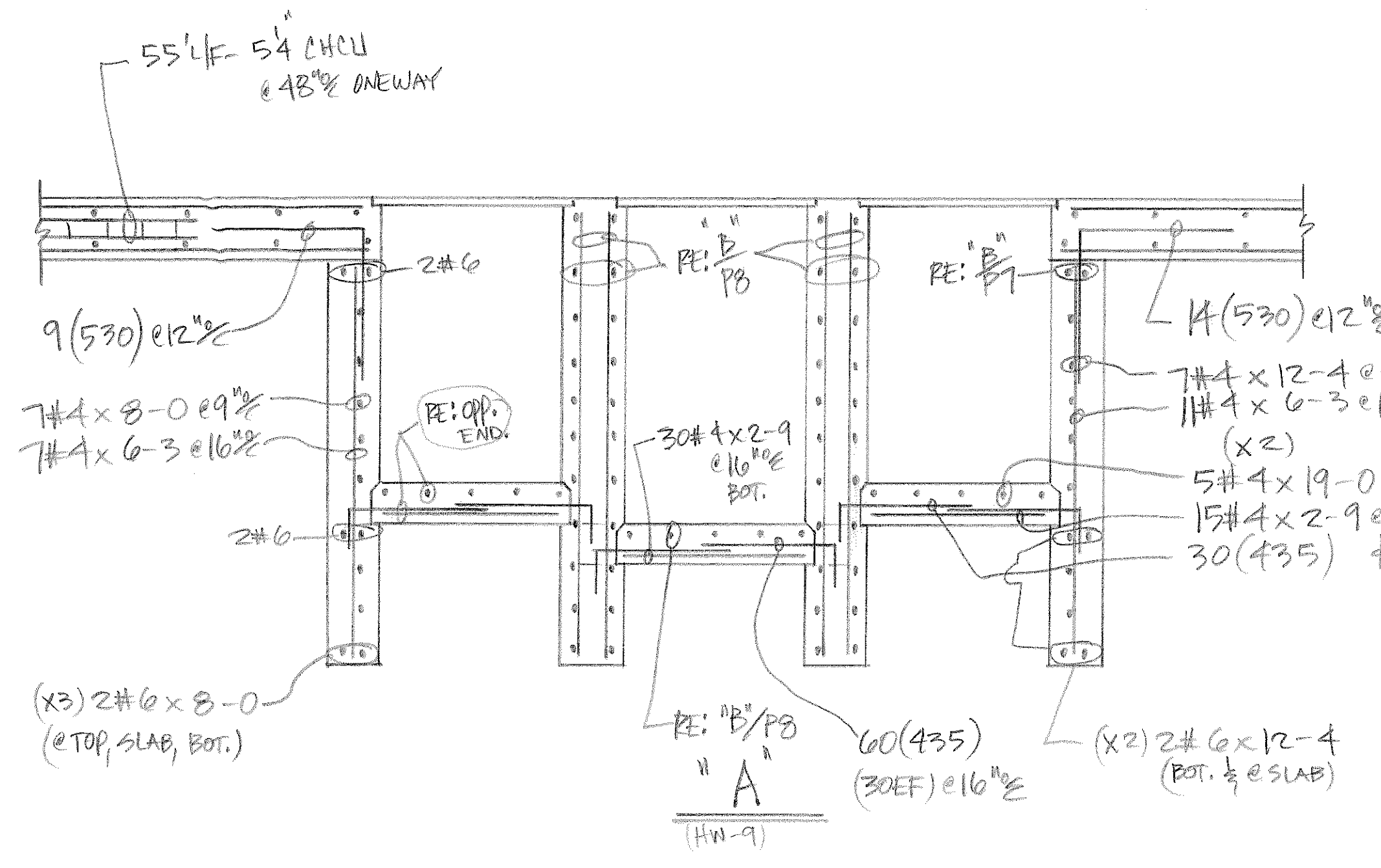
NO	DATE	ISSUED FOR
AREA CODE 303 371-3850 3730 SALEM ST. DENVER, COLO. 80229		
JOB: HAROLD D. THOMPSON REG. WATER RECLAIM.		
LOCATION: FOUNTAIN, CO.		
DESCRIPTION: SEC'S. HEADWORKS		
CONTRACTOR: NEAVER CONST.		
ARCHITECT: GMS, INC.		
DRAWN: D. TARN	CHECKED:	DATE: 1-6-11
REVISIONS:	JOB NO. 10082	DRAWING NO. PG





- LEGEND
- O.F. - OUTSIDE FACE
 - I.F. - INSIDE FACE
 - E.F. - EACH FACE
 - HORIZ. - HORIZONTAL
 - VERT. - VERTICAL
 - DWLS. - DWELS
 - FTG. - FOOTING
 - ELEV. - ELEVATION
 - E.W. - EACH WAY
 - T.O.F. - TOP OF FOOTING
 - B.O.F. - BOTTOM OF FOOTING
 - T.O.W. - TOP OF WALL
 - B.O.W. - BOTTOM OF WALL
 - GRD. BM. - GRADE BEAM
 - MK. - MARK
 - MAS. - MASONRY
 - DIAG. - DIAGONAL
 - COL. - COLUMN
 - PROJ. - PROJECTION
 - T & B - TOP & BOTTOM
 - N.F. - NEAR FACE
 - F.F. - FAR FACE
 - % - ON CENTER
 - @ - AT EACH

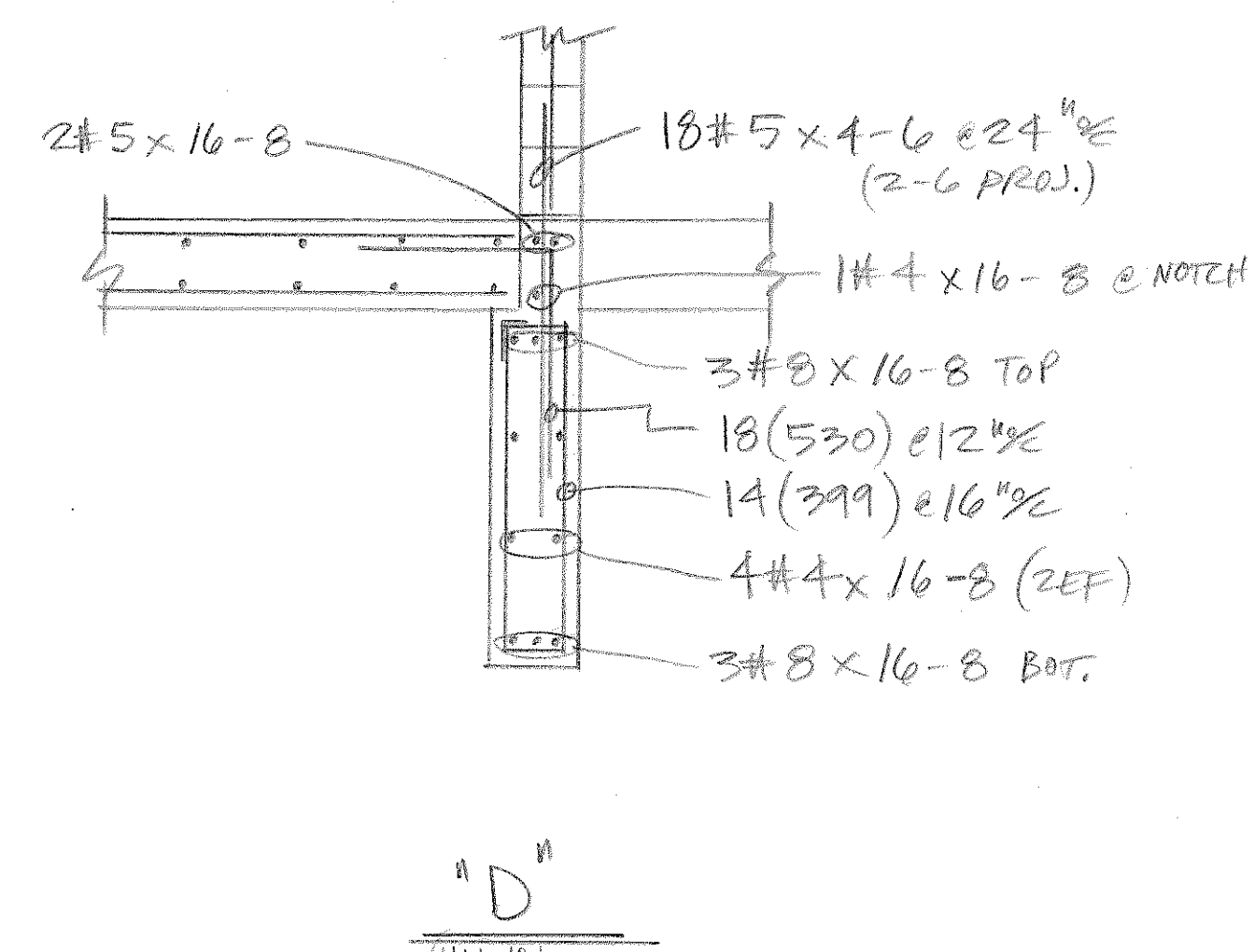
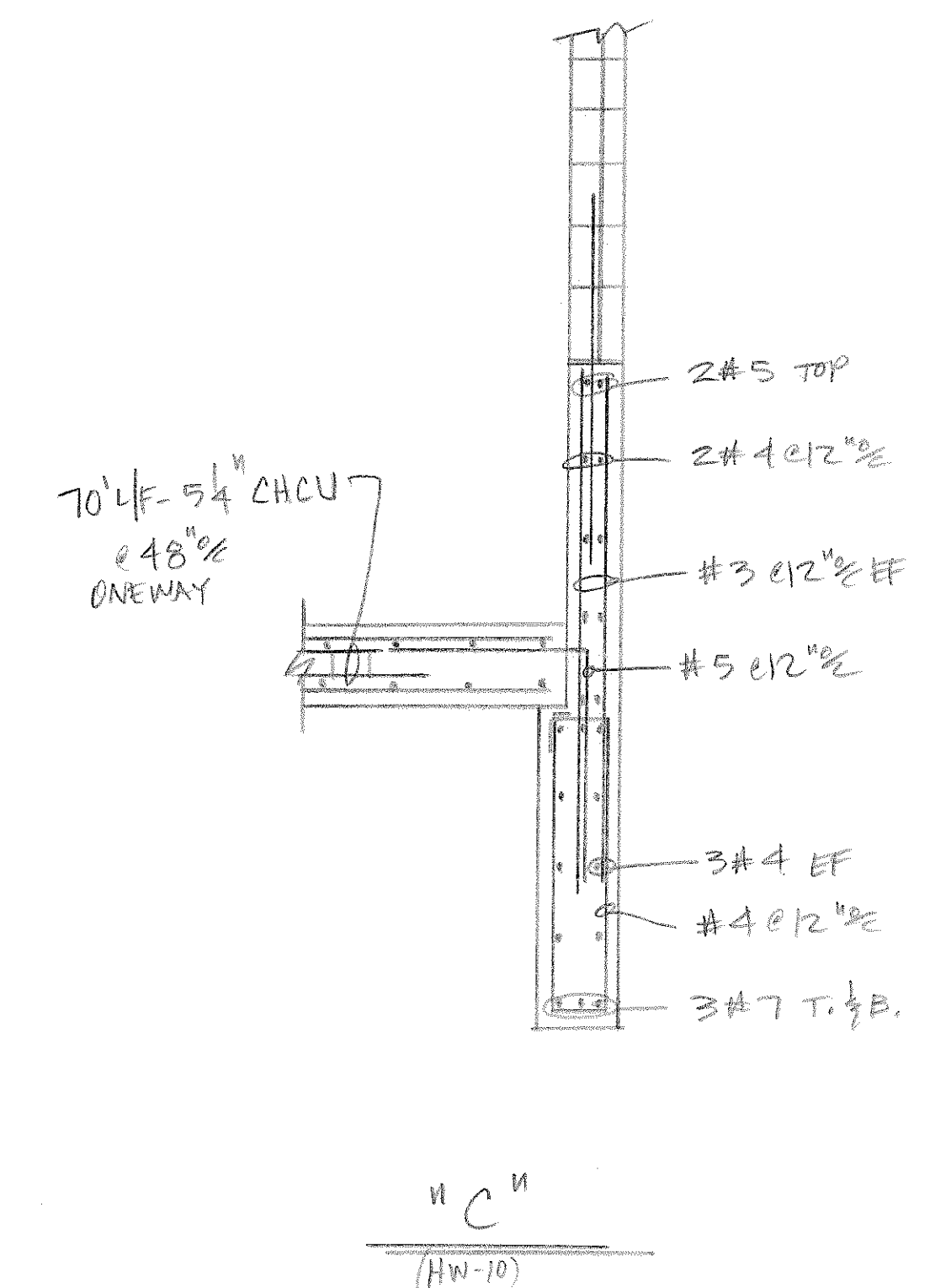
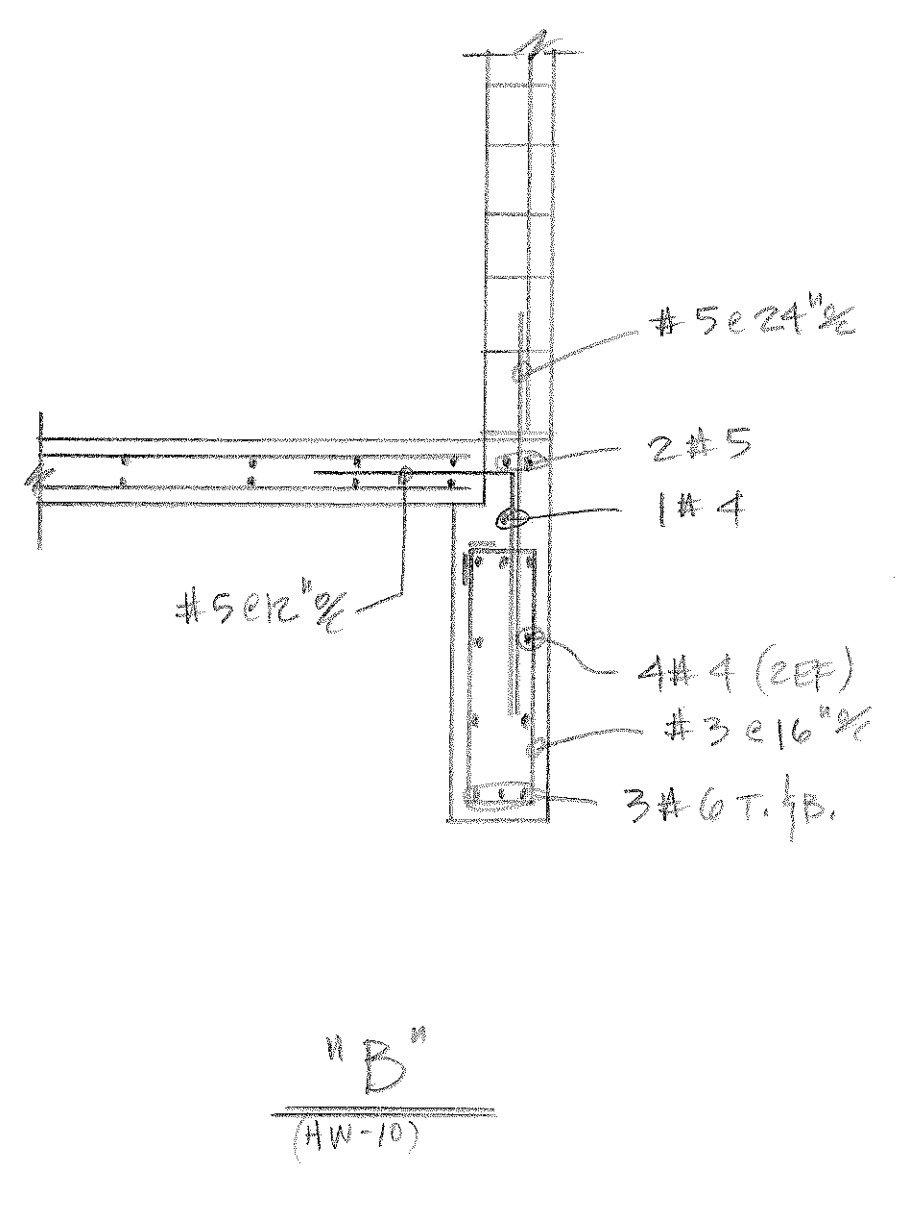
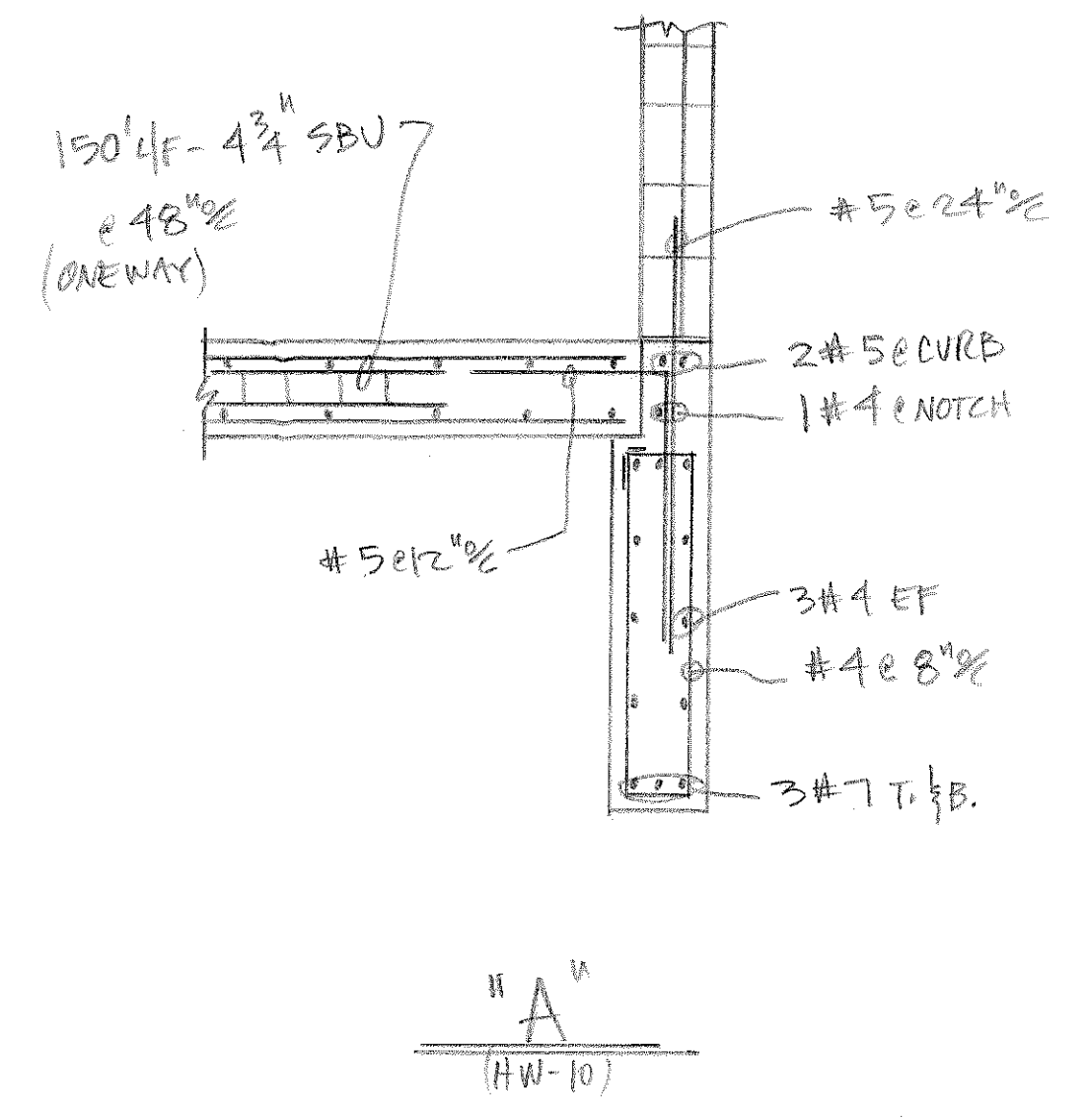
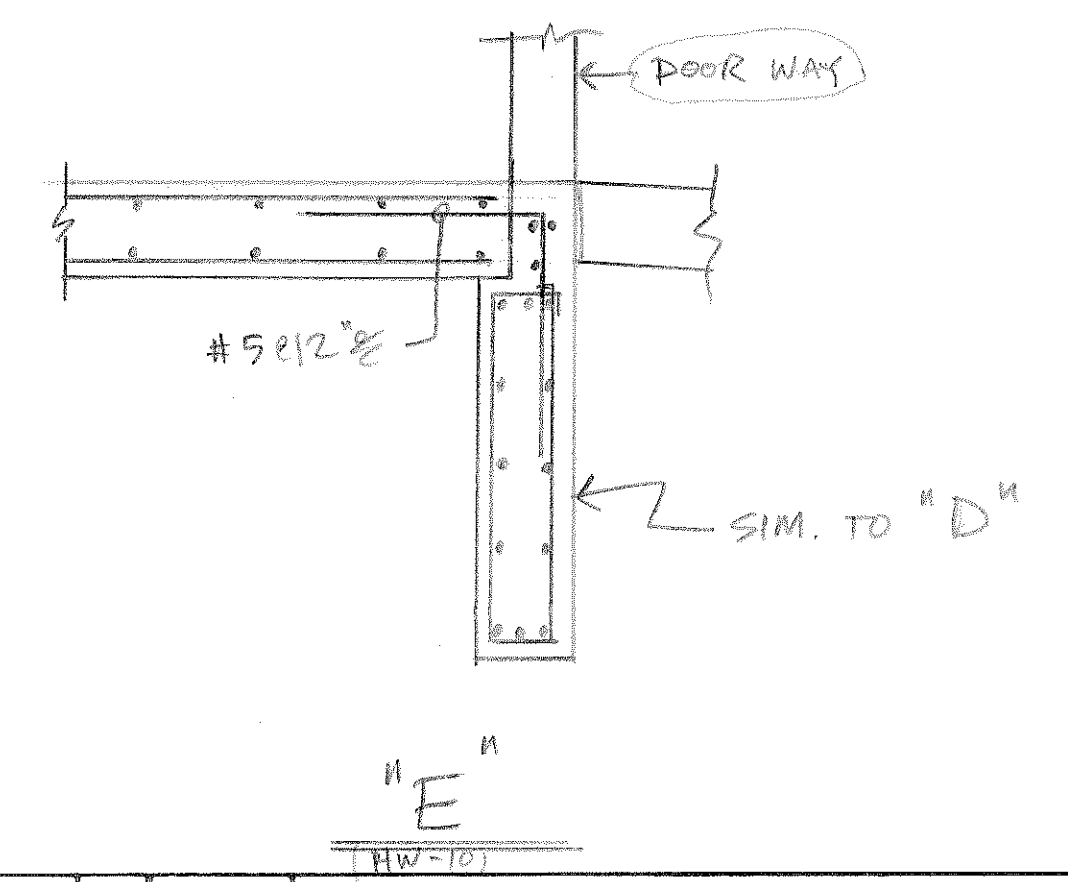
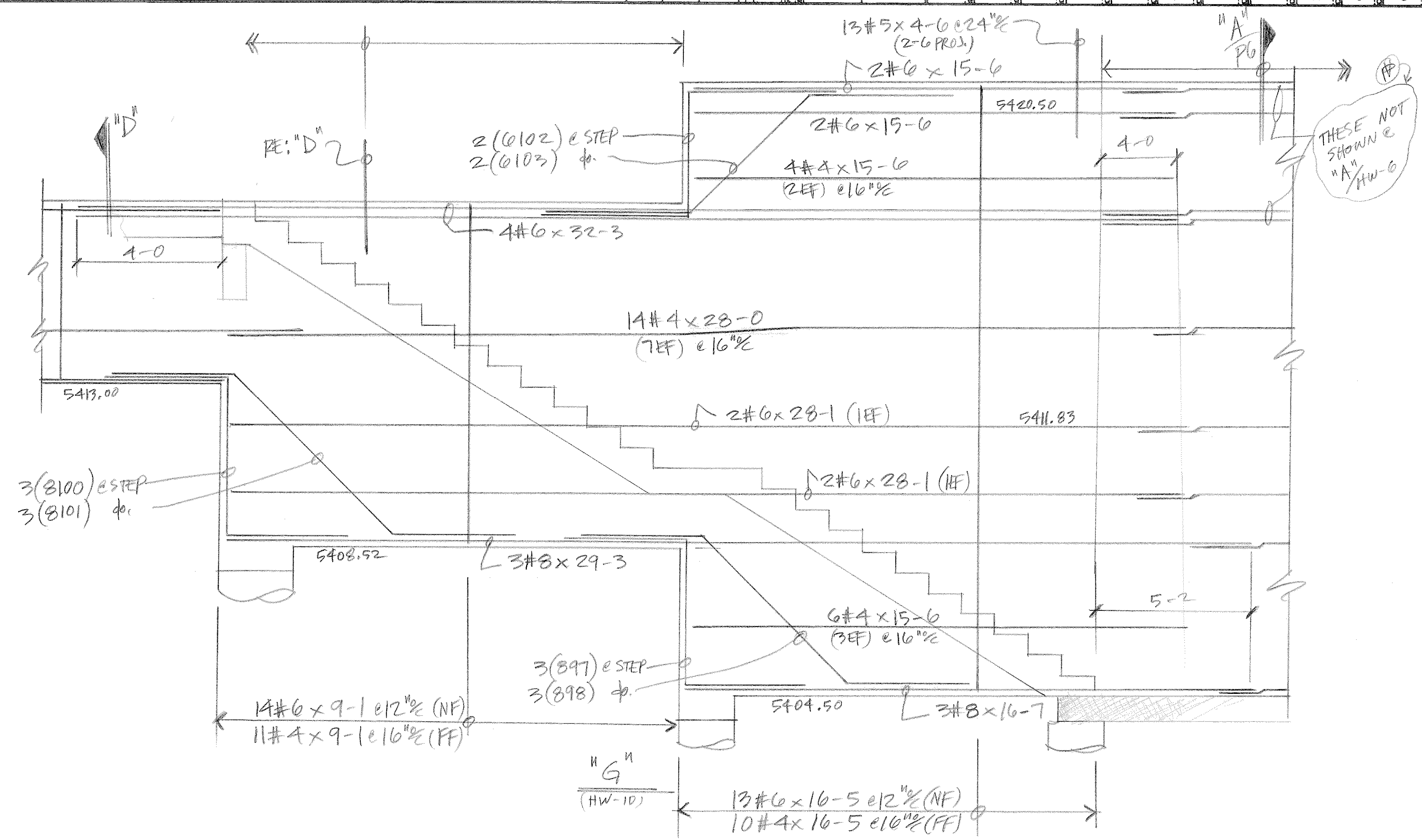
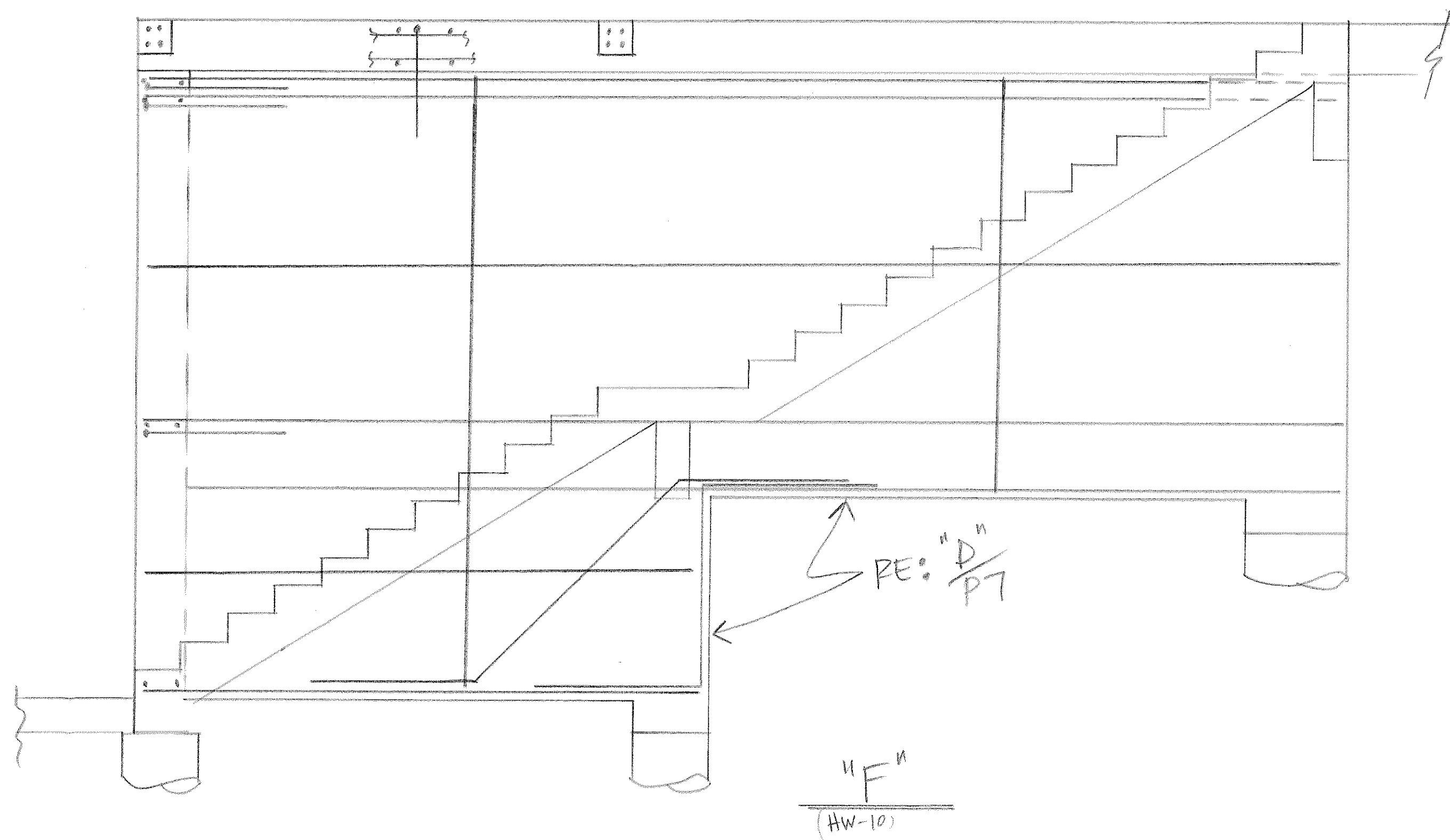
NO	DATE	ISSUED FOR
AREA CODE 303 371-3950 3730 SALEM ST. DENVER, CO. 80239		
JOB HAROLD D. THOMPSON REG. WATER RECLAIM.		
LOCATION FOUNTAIN, CO.		
DESCRIPTION SEC'S. @ HEADWORKS		
CONTRACTOR NEAVER CONST.		
ARCHITECT GMS, INC.		
DRAWN: D. TAKIN	CHECKED:	DATE: 1-6-11
REVISIONS:	JOB NO. 10082	DRAWING NO. PB



LEGEND	
O.F.	- OUTSIDE FACE
I.F.	- INSIDE FACE
E.F.	- EACH FACE
HORIZ.	- HORIZONTAL
VERT.	- VERTICAL
DWLS.	- DOWELS
FTG.	- FOOTING
ELEV.	- ELEVATION
E.W.	- EACH WAY
T.O.F.	- TOP OF FOOTING
B.O.F.	- BOTTOM OF FOOTING
T.O.W.	- TOP OF WALL
B.O.W.	- BOTTOM OF WALL
GRD. BM.	- GRADE BEAM
MK.	- MARK
MAS.	- MASONRY
DIAG.	- DIAGONAL
COL.	- COLUMN
PROJ.	- PROJECTION
T & B	- TOP & BOTTOM
N.F.	- NEAR FACE
F.F.	- FAR FACE
%	- ON CENTER
@	- AT EACH

NO	DATE	ISSUED FOR

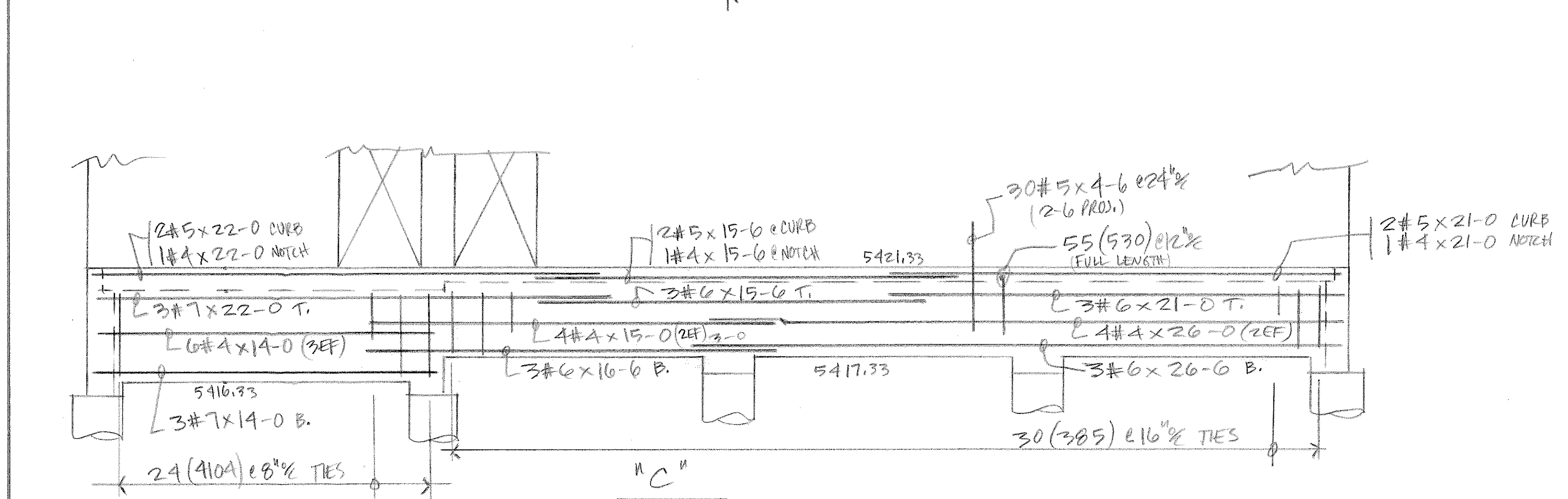
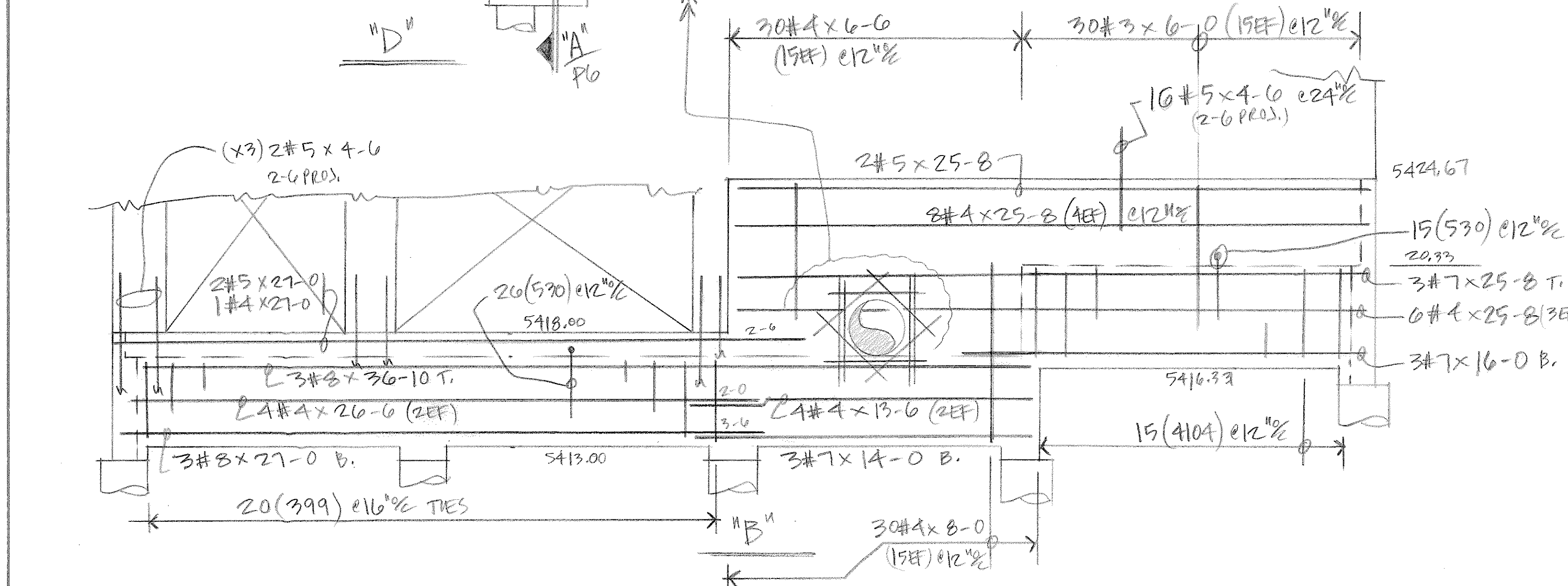
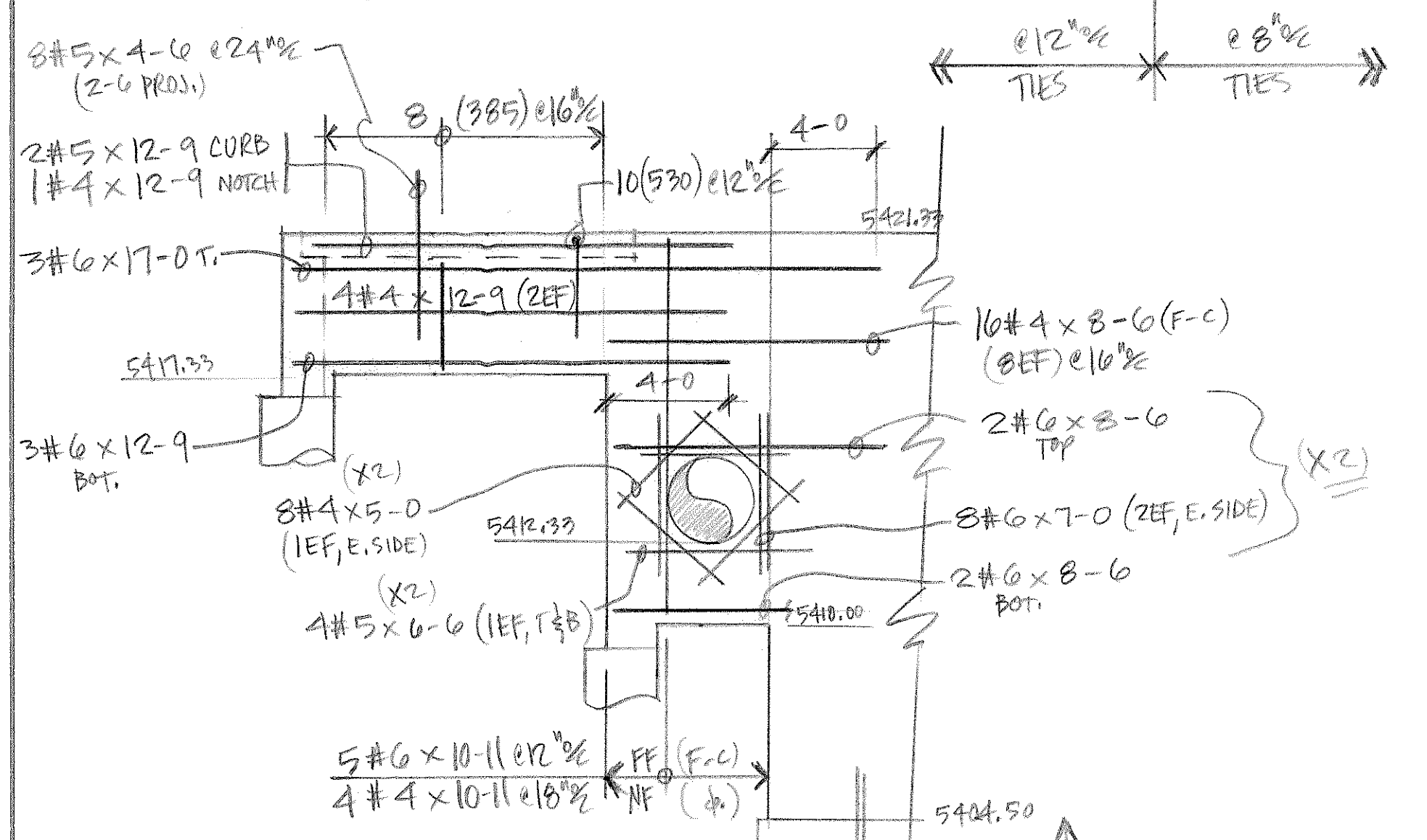
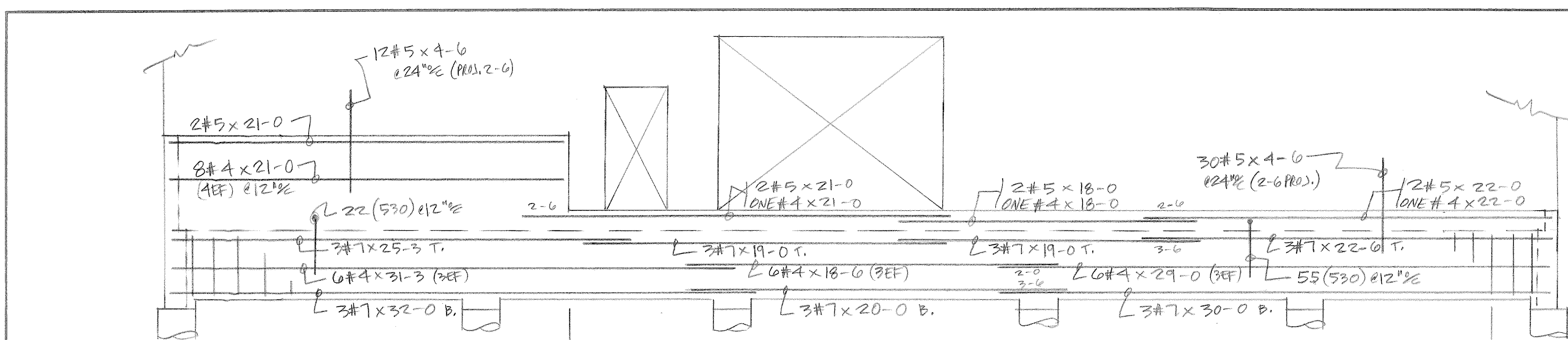
AREA CODE 303 371-3950		3730 SALEM ST. DENVER, COLO. 80239
JOB: HAROLD D. THOMPSON REG. WATER RECLAIM.		
LOCATION: FOUNTAIN, CO.		
DESCRIPTION: SECS. & HEADWORKS		
CONTRACTOR: WEAVER CONST.		
ARCHITECT: GMS, INC.		
DRAWN: D. TAJM	CHECKED:	DATE: 1-6-11
REVISIONS:	JOB NO. 10082	DRAWING NO. P9



LEGEND	
O.F.	OUTSIDE FACE
I.F.	INSIDE FACE
E.F.	EACH FACE
HORIZ.	HORIZONTAL
VERT.	VERTICAL
DWLS.	DOWELS
FTG.	FOOTING
ELEV.	ELEVATION
E.W.	EACH WAY
T.O.F.	TOP OF FOOTING
B.O.F.	BOTTOM OF FOOTING
T.O.W.	TOP OF WALL
B.O.W.	BOTTOM OF WALL
GRD. BM.	GRADE BEAM
MK.	MARK
MAS.	MASONRY
DIAG.	DIAGONAL
COL.	COLUMN
PROJ.	PROJECTION
T & B	TOP & BOTTOM
N.F.	NEAR FACE
F.F.	FAR FACE
%	ON CENTER
@	AT EACH

NO.	DATE	ISSUED FOR

		INDUSTRIES, INC. An Employee Owned Company
AREA CODE 303	371-3950	3730 SALEM ST. DENVER, CO. 80239
JOB: HAROLD D. THOMPSON REG. WATER RECLAIM.		
LOCATION: FOUNTAIN CO.		
DESCRIPTION: SEC'S. & HEADWORKS		
CONTRACTOR: WEAVER CONST.		
ARCHITECT: GMS, INC.		
DRAWN: D. TARIN	CHECKED:	DATE: 1-6-11
REVISIONS:	JOB NO. 10082	DRAWING NO. P10



QTY	SIZE	TYPE	LENGTH FT. - IN.	MARK	SKETCH	A	B	C	D	E	F/R	G	H	K	J	O
4	9		181	—	—		6-6				6-10					+
4	9		182	—	—		6-6				6-2					+
4	20		183	—	—		1-4	0-8	2-0							
4	17		184	—	—		0-8	3-8								
3	12		385	□	+		0-8	2-8	+	+					+	
3	12		386	□	+		0-4	2-8	+	+					+	
4	20		487	—	—		2-0	1-0	2-0							
4	20		488	—	—		2-0	2-8	2-0							
3	12		389	□	+		0-4	0-4	+	+					+	
4	17		190	—	—		0-8	7-0								
6	17		691	—	—		1-0	4-0	1-0							
4	17		192	—	—		0-8	1-10								
3	17		393	—	—		0-6	2-0								
6	17		694	—	—		1-0	5-0								
6	3		695	—	—		10-6	2-0						1-0		+
6	3		696	—	—		13-3	2-9						1-5		+
8	20		897	—	—		3-4	4-0	3-4							
8	3		898	—	—		3-4	5-8	3-4						+	+
3	12		399	—	+		0-8	3-8	+	+					+	
8	20		8100	—	—		3-4	4-6	3-4							
8	3		8101	—	—		3-4	6-4	3-4						+	+
6	20		6102	—	—		4-0	3-4	4-0							
6	3		6103	—	—		4-0	4-8	4-0						+	+
4	12		4104	□	+		0-8	3-8	+	+					+	
7	17		7105	—	—		3-6	3-6								
6	17		6106	—	—		3-0	3-0								
4	17		4107	—	—		2-0	2-0								
8	17		8108	—	—		4-0	4-0								
6	3		6109	—	—		3-0	3-0						2-7		+
6	30		6110	—	—		3-0	3-0						2-7		+
4	3		4111	—	—		2-0	2-0						1-9		+
4	30		4112	—	—		2-0	2-0						1-9		+

LEGEND

- O.F. - OUTSIDE FACE
- I.F. - INSIDE FACE
- E.F. - EACH FACE
- HORIZ. - HORIZONTAL
- VERT. - VERTICAL
- DWLS. - DOWELS
- FTG. - FOOTING
- ELEV. - ELEVATION
- E.W. - EACH WAY
- T.O.F. - TOP OF FOOTING
- B.O.F. - BOTTOM OF FOOTING
- T.O.W. - TOP OF WALL
- B.O.W. - BOTTOM OF WALL
- GRD. BM. - GRADE BEAM
- MK. - MARK
- MAS. - MASONRY
- DIAG. - DIAGONAL
- COL. - COLUMN
- PROJ. - PROJECTION
- T & B - TOP & BOTTOM
- N.F. - NEAR FACE
- F.F. - FAR FACE
- % - ON CENTER
- @ - AT EACH

NO	DATE	ISSUED FOR

DALCO INDUSTRIES, INC.
An Employee Owned Company

AREA CODE 303 371-3850 3730 SALEM ST. DENVER, COLO. 80239

JOB: HAROLD D. THOMPSON RES. WATER RECLAIM.

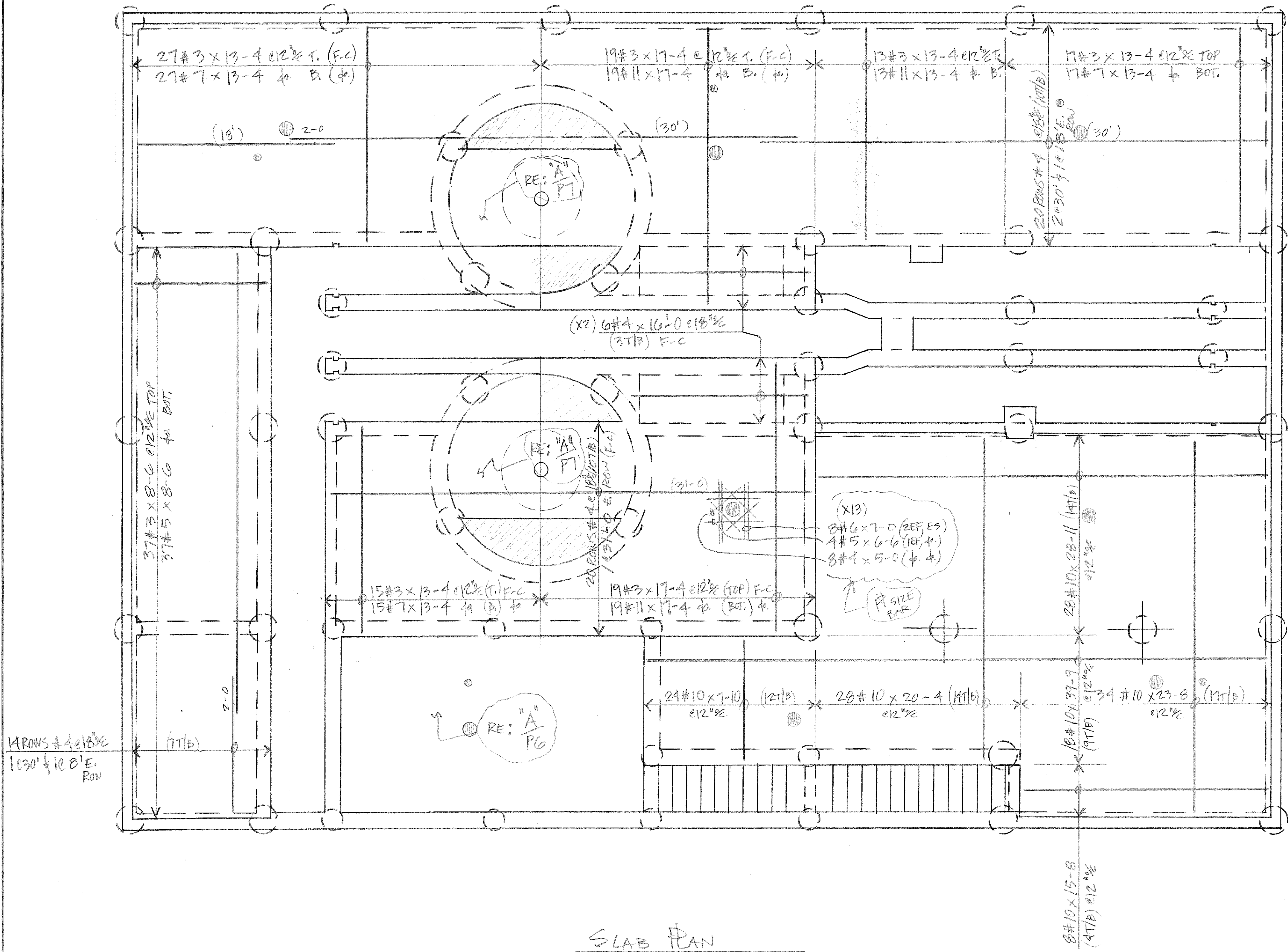
LOCATION: FOUNTAIN, CO.

DESCRIPTION: SECS. 1/2 ELEV. @ HEADWORKS

CONTRACTOR: WEAVER CONST.

ARCHITECT: GIMS, INC.

DRAWN: D. TARNI CHECKED: DATE: 1-6-11 REVISIONS: JOB NO. 100822 P11 DRAWING NO.



SLAB PLAN

REF. WALL SECTIONS FOR BAR CHAIRS BTWN. MATTS... (TYP.)

(F.C.) = FIELD - CUT

LEGEND	
O.F.	- OUTSIDE FACE
I.F.	- INSIDE FACE
E.F.	- EACH FACE
HORIZ.	- HORIZONTAL
VERT.	- VERTICAL
DWLS.	- DOWELS
FTG.	- FOOTING
ELEV.	- ELEVATION
E.W.	- EACH WAY
T.O.F.	- TOP OF FOOTING
B.O.F.	- BOTTOM OF FOOTING
T.O.W.	- TOP OF WALL
B.O.W.	- BOTTOM OF WALL
GRD. BM.	- GRADE BEAM
MK.	- MARK
MAS.	- MASONRY
DIAG.	- DIAGONAL
COL.	- COLUMN
PROJ.	- PROJECTION
T & B	- TOP & BOTTOM
N.F.	- NEAR FACE
F.F.	- FAR FACE
%	- ON CENTER
@	- AT EACH

NO.	DATE	ISSUED FOR

DALCO INDUSTRIES, INC. <small>An Employee Owned Company</small>	
AREA CODE 303 371-3950	3730 SALEM ST. DENVER, COLO. 80239
JOB HAROLD D. THOMPSON REG. WATER RECLAIM.	
LOCATION FOUNTAIN, Co.	
DESCRIPTION SLAB & HEADWORKS	
CONTRACTOR WEAVER CONST.	
ARCHITECT GMS, Inc.	
DRAWN: D. TARIN	CHECKED: 1-6-11
DATE: 1-6-11	REVISIONS: 10082
JOB NO. 10082	DRAWING NO. P12