



WEAVER GENERAL CONSTRUCTION COMPANY
 3679 S. Huron St., Suite 404
 Englewood, CO 80110
 Phone: (303) 789-4111 FAX: (303) 789-4310

SUBMITTAL TRANSMITTAL

February 14, 2011
WGC Submittal No: 03200-006

PROJECT: Harold Thompson Regional WRF
 Birdsall Rd.
 Fountain, CO 80817
 Job No. 2908

ENGINEER: GMS, Inc.
 611 No. Weber St., #300
 Colorado Springs, CO 80903
 719-475-2935 Roger Sams

OWNER: Lower Fountain Metropolitan
 Sewage Disposal District
 901 S. Santa Fe Ave.
 Fountain, CO 80817
 719-382-5303 James Heckman

CONTRACTOR: Dalco Industries Inc.
 3730 Salem Street
 Denver, CO 80239
 303-371-3950 Manuel Morales

SUBJECT: Rebar Plan View of Digester and Aeration Basin (P3A)

SPEC SECTION: 03200

PREVIOUS SUBMISSION DATES: None

DEVIATIONS FROM SPEC: ___ YES X NO

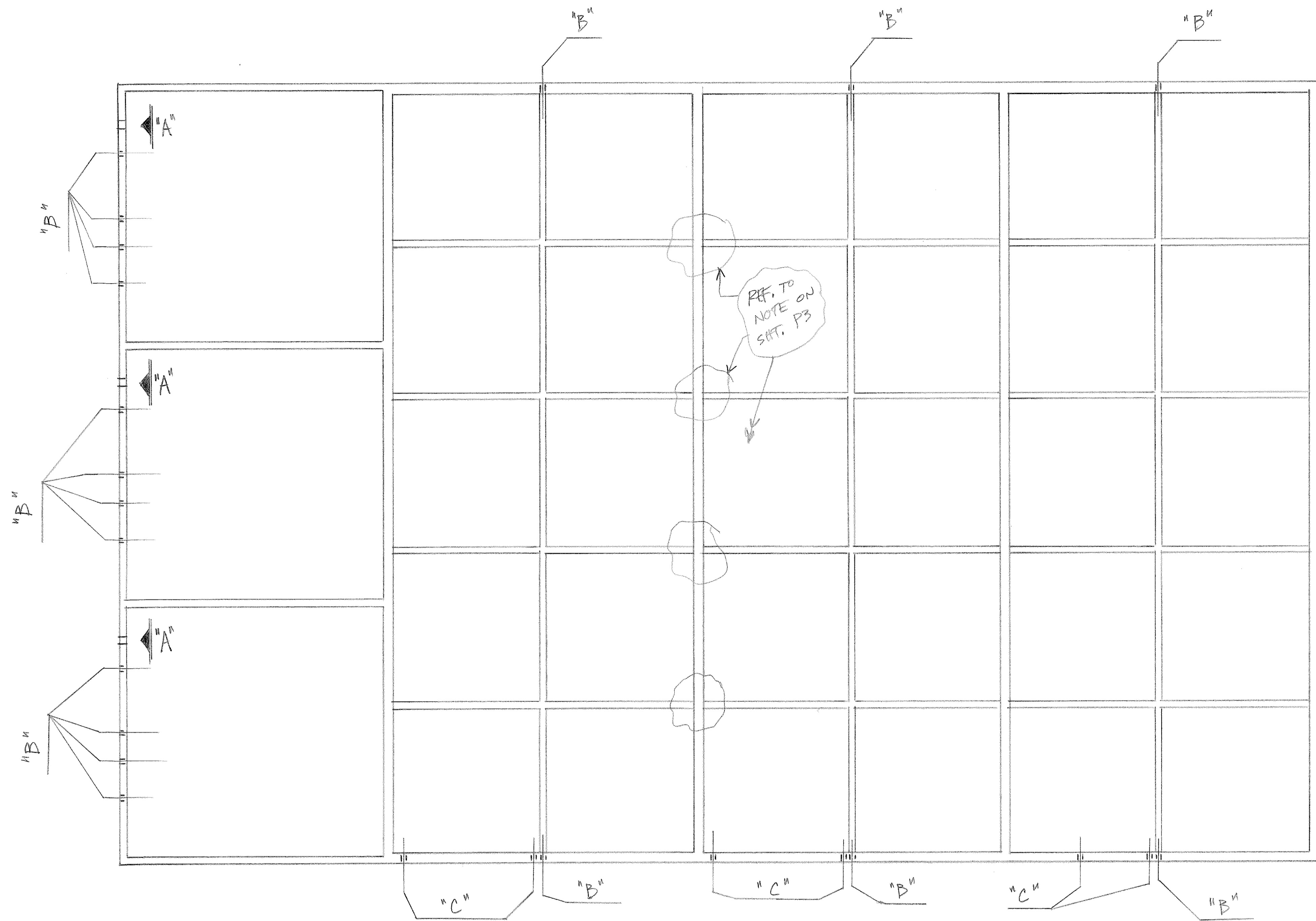
CONTRACTOR'S STAMP: This submittal has been reviewed by Weaver General Construction and approved with respect to the means, methods, techniques, & safety precautions & programs incidental thereto. Weaver General Construction also warrants that this submittal complies with contracted documents and comprises on deviations thereto:

Contractor's Stamp:

Engineer's Stamp:

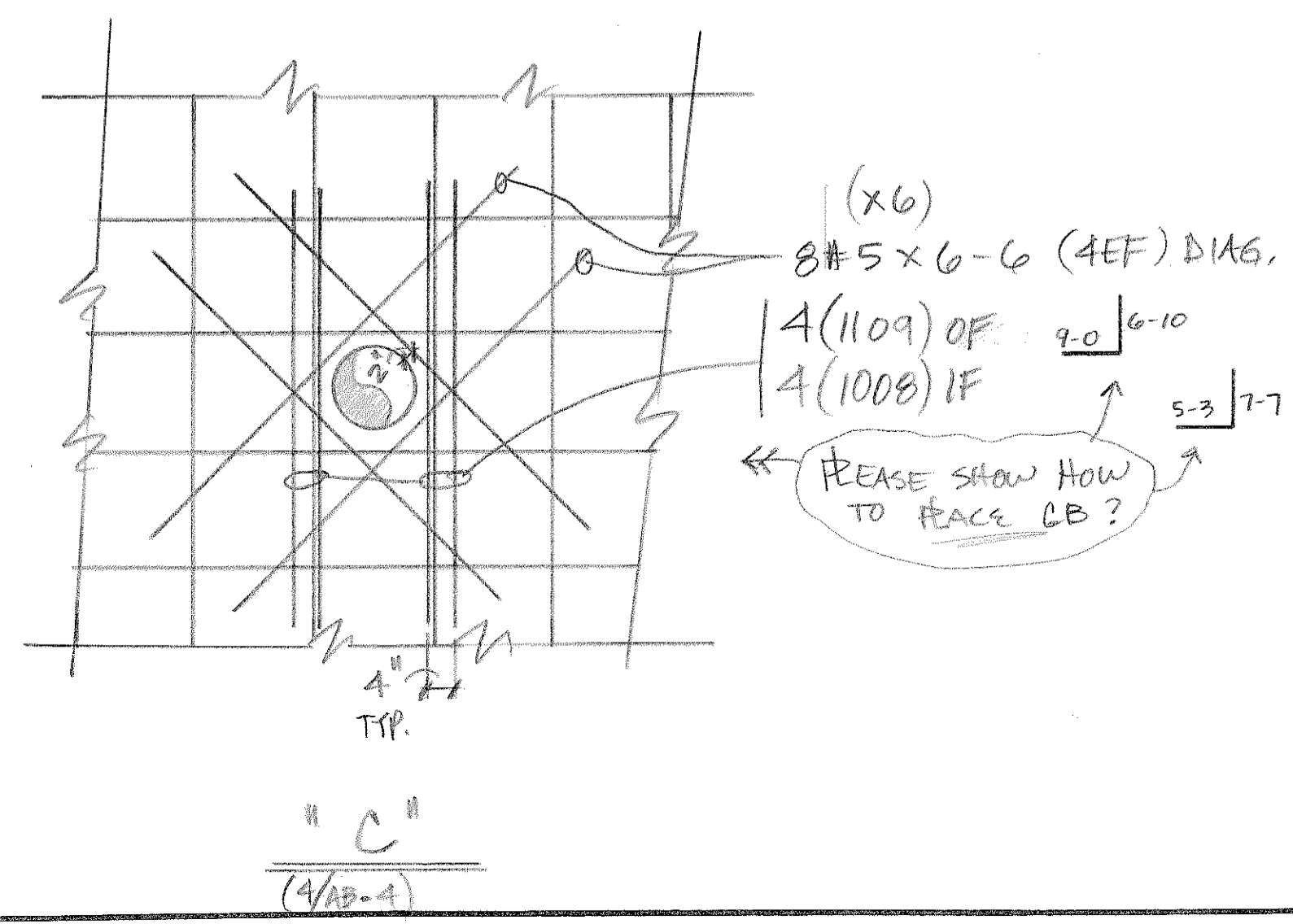
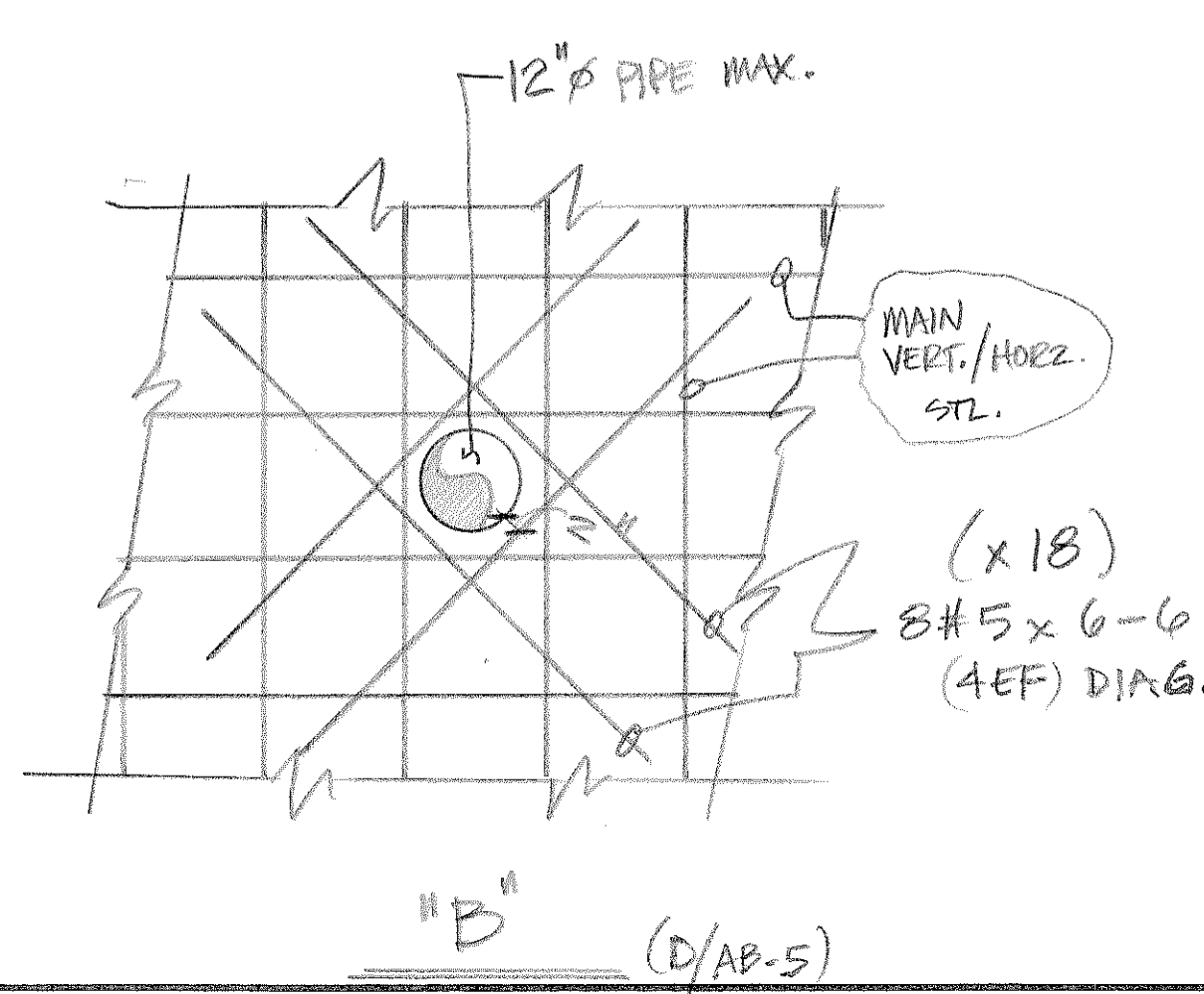
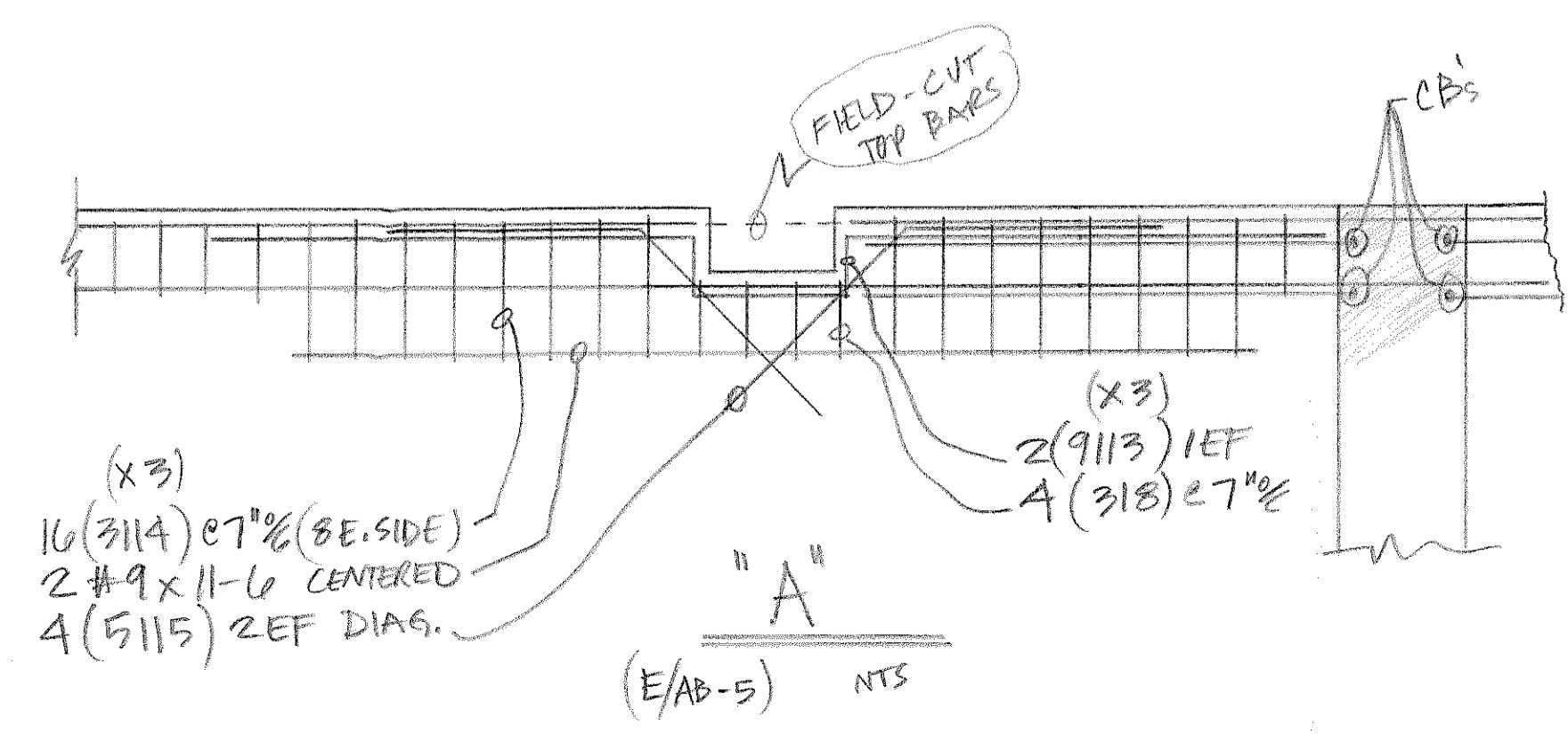
Date: 2/14/10
 Reviewed by: H.C. Myers
 (X) Reviewed Without Comments
 () Reviewed With Comments

**ENGINEER'S
 COMMENTS:** _____



PLAN VIEW OF DIGESTER/AERATION

REF. SHT. P2 & P3



LEGEND	
O.F.	OUTSIDE FACE
I.F.	INSIDE FACE
E.F.	EACH FACE
HORIZ.	HORIZONTAL
VERT.	VERTICAL
DWLS.	DOWELS
FTG.	FOOTING
ELEV.	ELEVATION
E.W.	EACH WAY
T.O.F.	TOP OF FOOTING
B.O.F.	BOTTOM OF FOOTING
T.O.W.	TOP OF WALL
B.O.W.	BOTTOM OF WALL
GRD. BM.	GRADE BEAM
MK.	MARK
MAS.	MASONRY
DIAG.	DIAGONAL
COL.	COLUMN
PROJ.	PROJECTION
T & B	TOP & BOTTOM
N.F.	NEAR FACE
F.F.	FAR FACE
%	ON CENTER
@	AT EACH

NO.	DATE	ISSUED FOR

AREA CODE 303 371-3950 3730 SALEM ST DENVER, COLO. 80239	
JOB HAROLD D. THOMPSON REG. WATER RECLAIM.	
LOCATION FOUNTAIN, CO.	
DESCRIPTION PLAN VIEW OF DIGESTER/AERATION	
CONTRACTOR WEAVER CONST.	
ARCHITECT GMS, INC.	
DRAWN:	CHECKED:
D. TARKIN	
DATE:	REVISIONS:
1/27/11	
JOB NO.	DRAWING NO.
10082	P3A