



WEAVER GENERAL CONSTRUCTION COMPANY
 3679 S. Huron St., Suite 404
 Englewood, CO 80110
 Phone: (303) 789-4111 FAX: (303) 789-4310

SUBMITTAL TRANSMITTAL

May 24, 2011

WGC Submittal No: 03200-009

PROJECT: **Harold Thompson Regional WRF**
 Birdsall Rd.
 Fountain, CO 80817
 Job No. 2908

ENGINEER: **GMS, Inc.**
 611 No. Weber St., #300
 Colorado Springs, CO 80903
 719-475-2935 Roger Sams

OWNER: **Lower Fountain Metropolitan
 Sewage Disposal District**
 901 S. Santa Fe Ave.
 Fountain, CO 80817
 719-382-5303 James Heckman

CONTRACTOR: **Dalco Industries Inc.**
 3730 Salem Street
 Denver, CO 80239
 303-371-3950 David Tarin

SUBJECT: Foundation Plan & Base Slab @ Second Clarifier #1 & #2.
 (P14, P15)

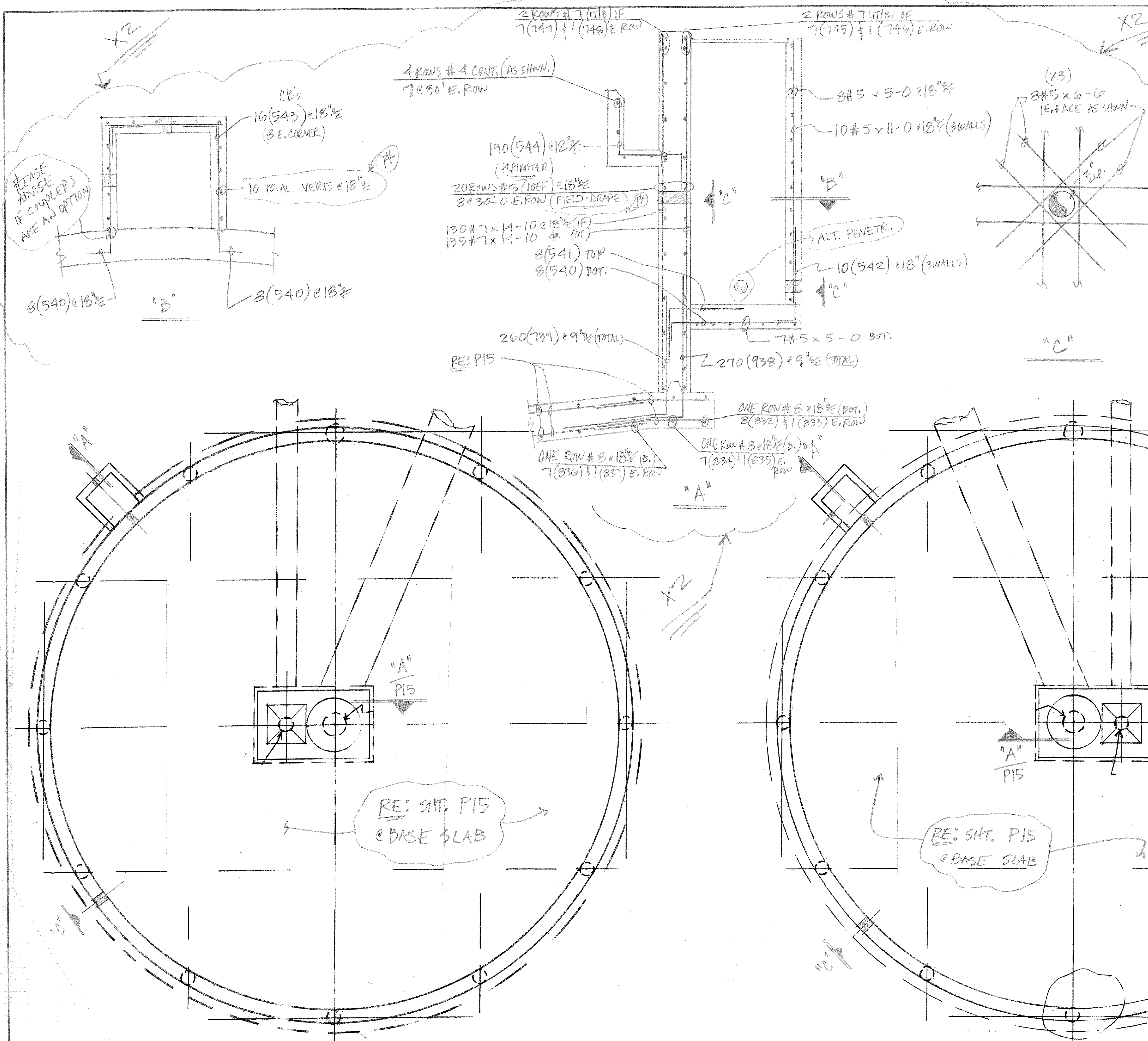
SPEC SECTION: 03200 - Concrete Reinforcement

PREVIOUS SUBMISSION DATES: None

DEVIATIONS FROM SPEC: ___ YES X NO

CONTRACTOR'S STAMP: This submittal has been reviewed by Weaver General Construction and approved with respect to the means, methods, techniques, & safety precautions & programs incidental thereto. Weaver General Construction also warrants that this submittal complies with contracted documents and comprises on deviations thereto:

| | |
|--|---------------------------------|
| <p>Contractor's Stamp:</p> <p>Date: 5/24/11 Reviewed by: H.C. Myers (X) Reviewed Without Comments () Reviewed With Comments</p> <p>ENGINEER'S COMMENTS: _____</p> | <p>Engineer's Stamp:</p> |
|--|---------------------------------|



| QTY | SIZE | TYPE | LENGTH | MARK | SKETCH | A | B | C | D | E | F/R | G | H | K | J | O | | | |
|-----|------|------|--------|------|--------|---|---|---|---|---|------|--------|-----|------|---|-----------|--------|-----|---|
| 8 | 9 | | 832 | | | | | | | | 30-0 | | | | | 22-2 | + | | + |
| 8 | 9 | | 833 | | | | | | | | 10-0 | | | | | 32-2 | + | | + |
| 8 | 9 | | 834 | | | | | | | | 30-0 | | | | | 30-8 | | | |
| 8 | 9 | | 835 | | | | | | | | 26-0 | | | | | 30-8 | | | |
| 8 | 9 | | 836 | | | | | | | | 30-0 | | | | | 29-2 | | | |
| 8 | 9 | | 837 | | | | | | | | 16-0 | | | | | 29-2 | | | |
| 9 | 21 | | 938 | | | | | | | | 4-10 | 1-2 | | | | 6-0 | 0.4 | + | |
| 7 | 3 | | 739 | | | | | | | | 5-0 | 3-6 | | | | | + | 0.3 | |
| 5 | 17 | | 540 | | | | | | | | 0-10 | 5-8 | | | | | | | |
| 5 | 17 | | 541 | | | | | | | | 0-10 | 3-2 | | | | | | | |
| 5 | 17 | | 542 | | | | | | | | 0-10 | 4-0 | | | | | | | |
| 5 | 17 | | 543 | | | | | | | | 2-9 | 2-9 | | | | | | | |
| 5 | 20 | | 544 | | | | | | | | 2-3 | 2-4 | 1-4 | | | | | | |
| 7 | 9 | | 745 | | | | | | | | 30-0 | | | | | 31-2 | | | |
| 7 | 9 | | 746 | | | | | | | | 25-0 | | | | | 31-2 | | | |
| 7 | 9 | | 747 | | | | | | | | 30-0 | | | | | 30-2 | | | |
| 7 | 9 | | 748 | | | | | | | | 25-0 | | | | | 30-2 | | | |
| 4 | 20 | | 449 | | | | | | | | 0-8 | VARIES | 1-6 | | | FROM 2-10 | TO 4-8 | | |
| 7 | 20 | | 750 | | | | | | | | 1-7 | 4-8 | 1-6 | | | | | | |
| 4 | 20 | | 451 | | | | | | | | 0-8 | VARIES | 3-7 | 3-9? | | FROM 3-4 | TO 5-7 | | |
| 7 | 20 | | 752 | | | | | | | | 1-7 | 5-7 | 3-7 | 3-9? | | | | | |
| 3 | T2 | | 353 | | | | | | | | + | 1-8 | 1-6 | + | + | + | | | |
| 3 | T2 | | 354 | | | | | | | | + | 2-2 | 3-7 | + | + | + | | | |
| | | | | | | | | | | | | 3-9? | | | | | | | |
| | | | | | | | | | | | | | | | | | | | |
| 6 | 17 | | 655 | | | | | | | | 1-0 | 4-0 | | | | | | | |

(TOP) LAP (OTHER)
 1-7 - #3 - 1-2
 2-1 - 4-1-7
 2-7 - 5-2-0
 3-1 - 6-2-5
 4-5 - 7-3-5
 5-1 - 8-3-11
 5-9 - 9-4-5
 6-4 - 10-4-11

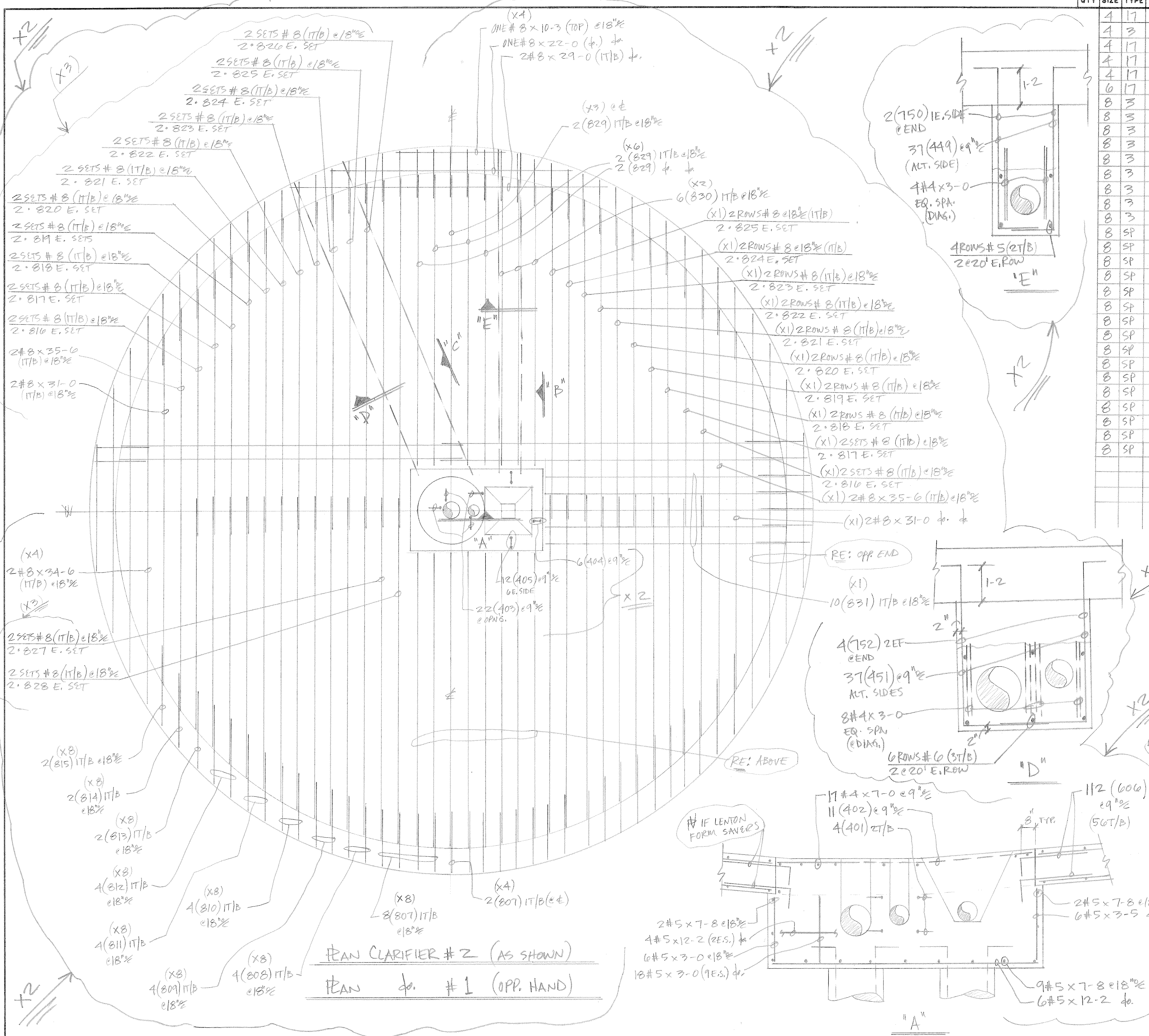
(ALL REBAR IS ASTM A615, GRADE 60 STEEL...)

FOUND. PLAN & SECONDARY CLARIFIER #1

FOUND. PLAN & SECONDARY CLARIFIER #2

ANY
 ANGLE
 COLUMN
 . - PROJECTION
 . - TOP & BOTTOM
 . - NEAR FACE
 . - FAR FACE
 . - ON CENTER
 . - AT EACH

| | | |
|---|----------|-------------|
| NO | DATE | ISSUED FOR |
| | | |
| AREA CODE 303 371-3950 3730 SALEM ST. DENVER, COLO. 80239 | | |
| JOB HAROLD D. THOMPSON PEG. WATER RECLAIM. | | |
| LOCATION FOUNTAIN, CO. | | |
| DESCRIPTION FOUND. PLAN & SECOND. CLARIFIER #1 & #2 | | |
| CONTRACTOR WEAVER CONST. | | |
| ARCHITECT G.M.S., INC. | | |
| DRAWN: | CHECKED: | DATE: |
| D. TARLIN | | 5/23/11 |
| REVISIONS | JOB NO. | DRAWING NO. |
| | 10082 | P14 |



| QTY | SIZE | TYPE | LENGTH FT. - IN. | MARK | SKETCH | A | B | C | D | E | F/R | G | H | K | J | O |
|-----|------|------|---------------------|------|--------|---|------|------|-----|---|-----|---|---|----------|---|---|
| 4 | 17 | | | 401 | □ | | 0-8 | 7-8 | 0-8 | | | | | | | |
| 4 | 3 | | | 402 | ∟ | | 6-6 | 5-0 | | | | | | 0-5 | + | |
| 4 | 17 | | | 403 | □ | | 0-8 | 2-1 | | | | | | | | |
| 4 | 17 | | | 404 | □ | | 0-8 | 0-8 | 0-8 | | | | | | | |
| 4 | 17 | | | 405 | □ | | 0-8 | 1-3 | 0-8 | | | | | | | |
| 6 | 17 | | | 606 | □ | | 1-0 | 3-10 | | | | | | | | |
| 8 | 3 | | | 807 | ∟ | | 2-2 | 5-6 | | | | | | 0-5 1/2 | + | |
| 8 | 3 | | | 808 | ∟ | | 2-3 | 5-6 | | | | | | 0-4 1/4 | + | |
| 8 | 3 | | | 809 | ∟ | | 2-4 | 5-6 | | | | | | 0-4 | + | |
| 8 | 3 | | | 810 | ∟ | | 2-5 | 5-6 | | | | | | 0-3 | + | |
| 8 | 3 | | | 811 | ∟ | | 2-7 | 5-6 | | | | | | 0-2 3/4 | + | |
| 8 | 3 | | | 812 | ∟ | | 2-9 | 5-6 | | | | | | 0-2 1/2 | + | |
| 8 | 3 | | | 813 | ∟ | | 3-2 | 5-6 | | | | | | 0-2 | + | |
| 8 | 3 | | | 814 | ∟ | | 3-6 | 5-6 | | | | | | 0-1 3/4 | + | |
| 8 | 3 | | | 815 | ∟ | ∅ | 4-0 | 5-6 | | | | | | 0-1 1/2 | + | |
| 8 | SP | | | 816 | ∟ | ∟ | 22-3 | | | | | | | 0-7 | | |
| 8 | SP | | | 817 | ∟ | | 24-0 | | | | | | | 0-9 | | |
| 8 | SP | | | 818 | ∟ | | 25-6 | | | | | | | 0-10 | | |
| 8 | SP | | | 819 | ∟ | | 27-0 | | | | | | | 1-0 | | |
| 8 | SP | | | 820 | ∟ | | 28-0 | | | | | | | 1-1 1/2 | | |
| 8 | SP | | | 821 | ∟ | | 29-0 | | | | | | | 1-3 | | |
| 8 | SP | | | 822 | ∟ | | 29-9 | | | | | | | 1-4 1/2 | | |
| 8 | SP | | | 823 | ∟ | | 30-6 | | | | | | | 1-6 | | |
| 8 | SP | | | 824 | ∟ | | 31-0 | | | | | | | 1-7 1/2 | | |
| 8 | SP | | | 825 | ∟ | | 31-9 | | | | | | | 1-9 | | |
| 8 | SP | | | 826 | ∟ | | 32-0 | | | | | | | 1-10 1/2 | | |
| 8 | SP | | | 827 | ∟ | | 32-6 | | | | | | | 2-0 | | |
| 8 | SP | | | 828 | ∟ | | 33-0 | | | | | | | 2-1 1/2 | | |
| 8 | SP | | | 829 | ∟ | | 26-3 | | | | | | | 2-2 | | |
| 8 | SP | | | 830 | ∟ | | 26-0 | | | | | | | 2-1 1/2 | | |
| 8 | SP | | | 831 | ∟ | ∅ | 21-9 | | | | | | | 1-9 | | |

- LEGEND
- O.F. - OUTSIDE FACE
 - I.F. - INSIDE FACE
 - E.F. - EACH FACE
 - HORIZ. - HORIZONTAL
 - VERT. - VERTICAL
 - DWLS - DOWELS
 - FTG. - FOOTING
 - ELEV. - ELEVATION
 - E.W. - EACH WAY
 - T.O.F. - TOP OF FOOTING
 - B.O.F. - BOTTOM OF FOOTING
 - T.O.W. - TOP OF WALL
 - B.O.W. - BOTTOM OF WALL
 - GRD. BM. - GRADE BEAM
 - MK. - MARK
 - MAS. - MASONRY
 - DIAG. - DIAGONAL
 - COL. - COLUMN
 - PROJ. - PROJECTION
 - T & B - TOP & BOTTOM
 - N.F. - NEAR FACE
 - F.F. - FAR FACE
 - % - ON CENTER
 - @ - AT EACH

| | | |
|---|---------|-------------|
| NO. | DATE | ISSUED FOR |
| | | |
| AREA CODE 303 371-3950 3730 SALEM ST. DENVER, CO. 80229 | | |
| JOB HAROLD D. THOMPSON PEB. WATER RECLAIM. | | |
| LOCATION FOUNTAIN, CO. | | |
| DESCRIPTION BASE SLAB @ CLARIFIER #1 & 2 | | |
| CONTRACTOR WEAVER CONST. | | |
| ARCHITECT GMS, INC. | | |
| DRAWN | CHECKED | DATE |
| D. JARIN | | 5/22/11 |
| REVISIONS | JOB NO. | DRAWING NO. |
| | 10082 | P15 |