



WEAVER GENERAL CONSTRUCTION COMPANY
 3679 S. Huron St., Suite 404
 Englewood, CO 80110
 Phone: (303) 789-4111 FAX: (303) 789-4310

SUBMITTAL TRANSMITTAL

August 26, 2011

WGC Submittal No: 03200-011

PROJECT: Harold Thompson Regional WRF
 Birdsall Rd.
 Fountain, CO 80817
 Job No. 2908

ENGINEER: GMS, Inc.
 611 No. Weber St., #300
 Colorado Springs, CO 80903
 719-475-2935 Roger Sams

OWNER: Lower Fountain Metropolitan
 Sewage Disposal District
 901 S. Santa Fe Ave.
 Fountain, CO 80817
 719-382-5303 James Heckman

CONTRACTOR: Dalco Industries Inc.
 3730 Salem Street
 Denver, CO 80239
 303-371-3950 David Tarin

SUBJECT: Rebar for Equipment and Maintenance Building - PEM-1

SPEC SECTION: 03200 - Concrete Reinforcement

PREVIOUS SUBMISSION DATES: None

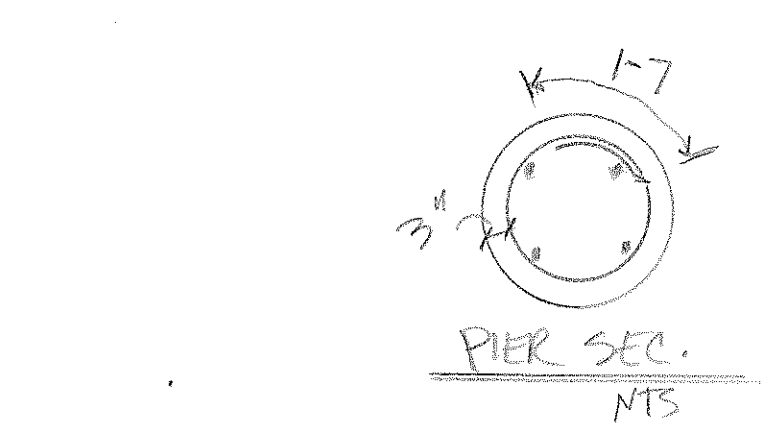
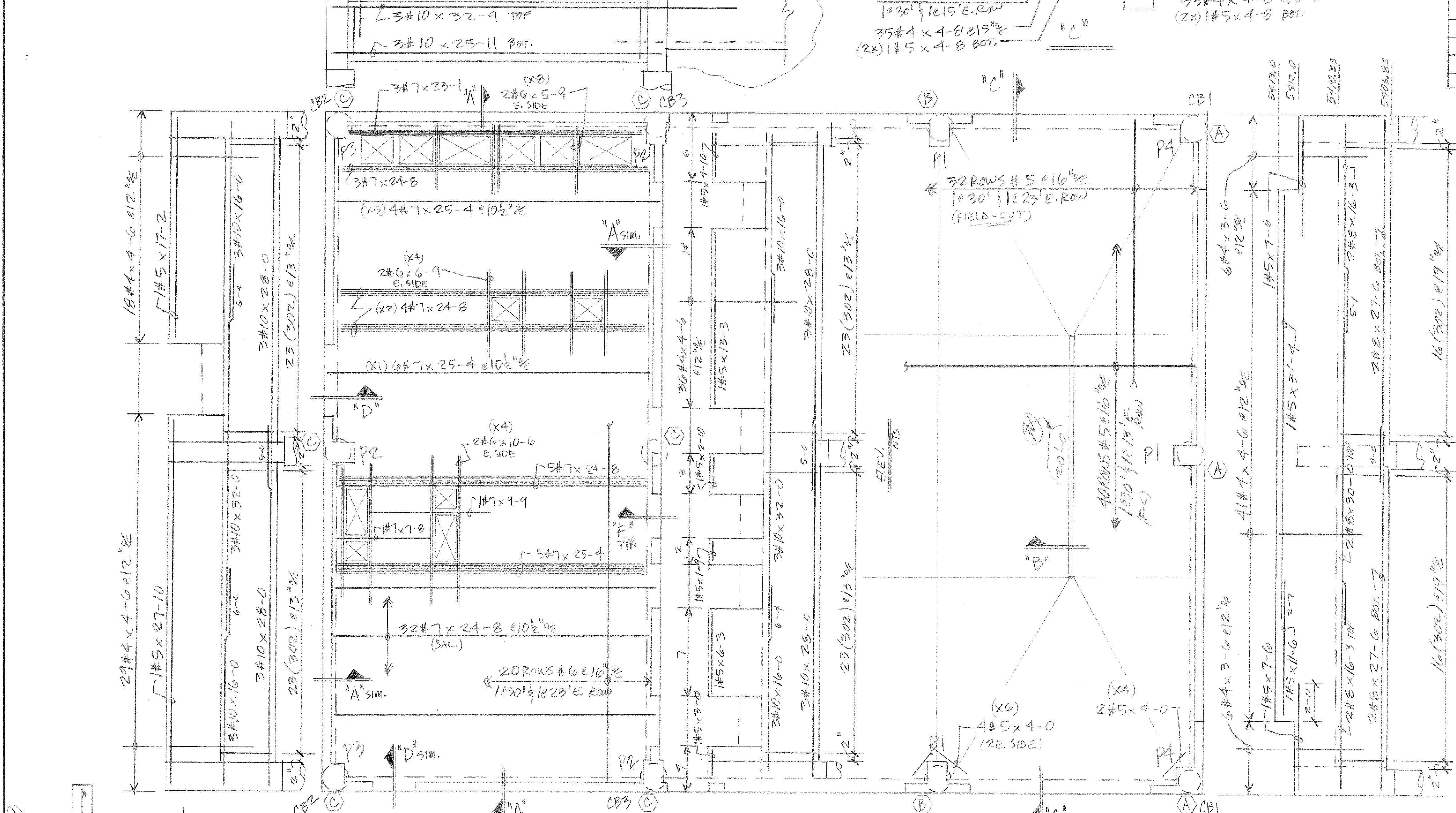
DEVIATIONS FROM SPEC: ___ YES X NO

CONTRACTOR'S STAMP: This submittal has been reviewed by Weaver General Construction and approved with respect to the means, methods, techniques, & safety precautions & programs incidental thereto. Weaver General Construction also warrants that this submittal complies with contracted documents and comprises on deviations thereto:

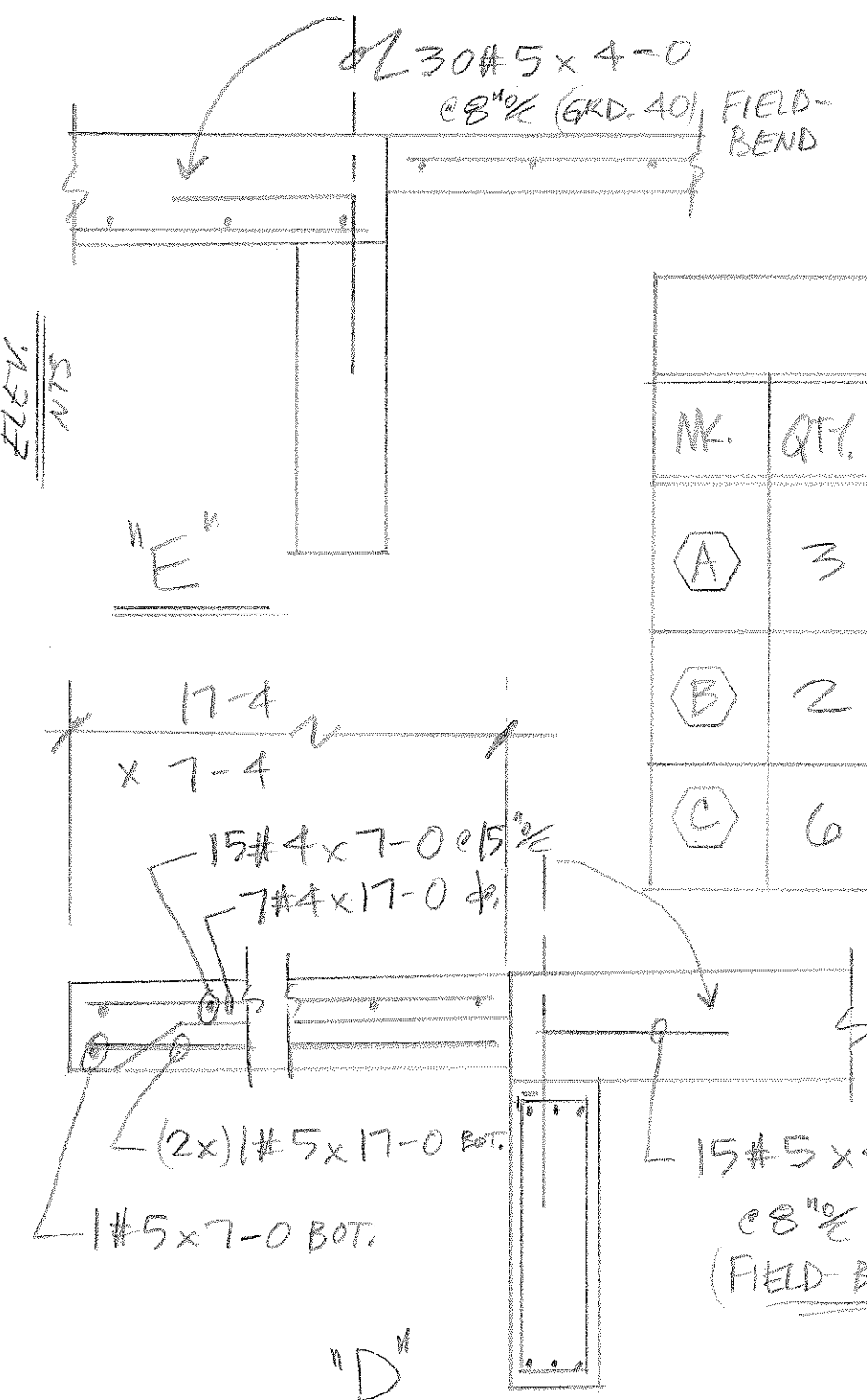
<p>Contractor's Stamp:</p> <p>Date: 8/26/11 Reviewed by: H.C. Myers <input checked="" type="checkbox"/> Reviewed Without Comments <input type="checkbox"/> Reviewed With Comments</p> <p>ENGINEER'S COMMENTS: _____</p>	<p>Engineer's Stamp:</p>
--------------------------------------------------------------------------------------------------------------------------------------------------------------------------------------------------------------------------------------------------------------	---------------------------------

PIER SCHED.			
NK.	QTY.	VERT.	TIES $\phi 12$ DWS. $\phi 8$
P1	3	6#9x5-4	11(409)
P2	3	6#9x5-11	12(409)
P3	2	6#7x5-0	10(404)
P4	2	6#9x5-4	11(405)

QTY	SIZE	TYPE	LENGTH FT. - IN.	MARK	SKETCH	A	B	C	D	E	F/R	G	H	K	J	O
3	T3		301	○				4-9				1-7				1-6
3	T2		302	□		+	0-9	3-1	+	+						
4	T2		403	□		+	1-3	2-1	+	+						
4	T2		404	□		+	1-5	1-7	+	+						
4	T2		405	□		+	1-9	1-9	+	+						
8	17		306	┌			4-6	4-6								
10	17		1007	┌			5-6	5-6								
5	17		508	┌			2-7	2-7								
5	S4		509	┌		2-0	0-6	1-3	0-6			2-0				
5	Z0		510	┌			2-0	0-6	2-0							
8	Z0		811	┌			4-0	0-7	4-0							
8	3		812	┌			4-0	+	4-0					0-7	0-7	

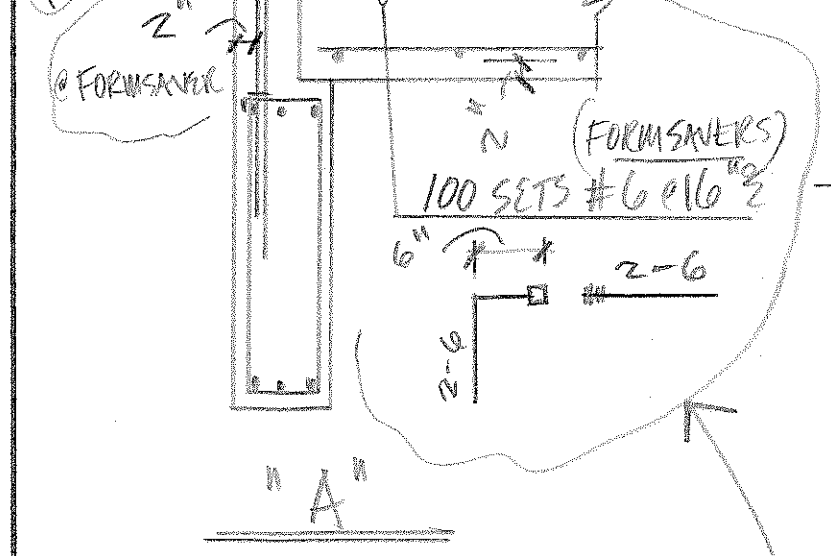


* NOTE: THERE IS NO REF. ON SHEET EM-9 OF SECTION 1/2L-3 @ PIPING ENCASE. PLEASE VERIFY.



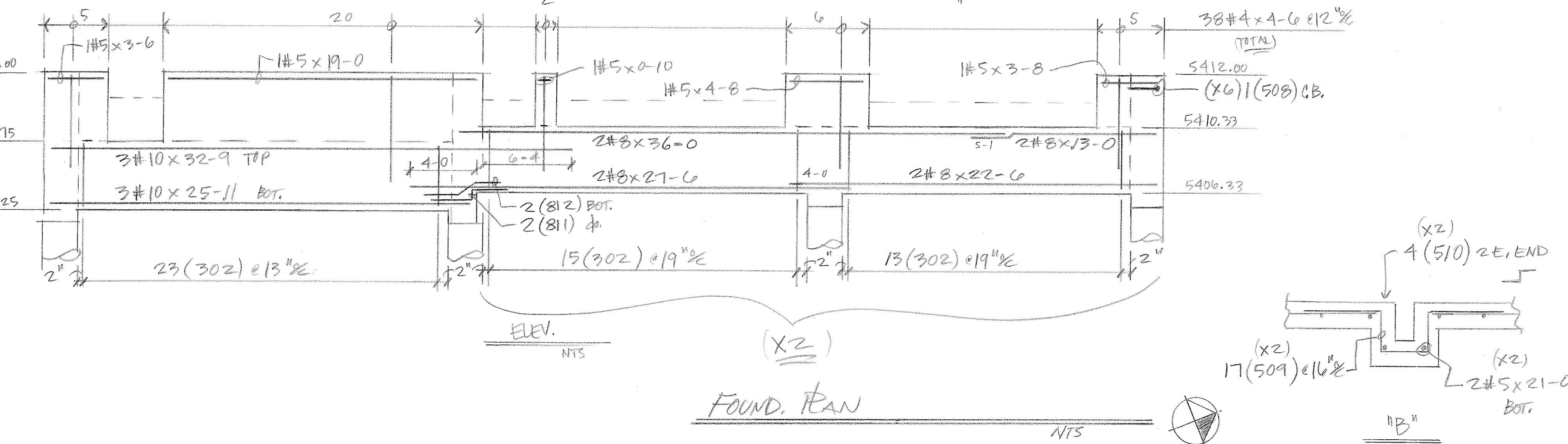
PIER SCHED.			
NK.	QTY.	VERT.	TIES $\phi 12$ DWS. (PROJ.)
A	3	4#9x47-11	49(301) 4#7x6-6 (PROJ. 3-3)
B	2	4#9x47-11	49(301) 4#9x8-4 (PROJ. 4-2)
C	6	4#9x43-4	45(301) 4#7x6-6 (PROJ. 3-3)

(TOP)	LAP	(OTHER)
1-7	-	#3-1-2
2-1	-	4-1-7
2-7	-	5-2-0
3-1	-	6-2-5
4-5	-	7-3-5
5-1	-	8-3-11
5-9	-	9-4-5
6-4	-	10-4-11



CORNER BAR SCHED.		
NK.	QTY.	BAR
CB1	2	6(306) 3TB
CB2	2	8(1007) 4TB
CB3	2	12(1007) 6TB

UNIT PRICE



- LEGEND
- O.F. - OUTSIDE FACE
- I.F. - INSIDE FACE
- E.F. - EACH FACE
- HORIZ. - HORIZONTAL
- VERT. - VERTICAL
- DWS. - DOWELS
- FTG. - FOOTING
- ELEV. - ELEVATION
- E.W. - EACH WAY
- T.O.F. - TOP OF FOOTING
- B.O.F. - BOTTOM OF FOOTING
- T.O.W. - TOP OF WALL
- B.O.W. - BOTTOM OF WALL
- GRD. BM. - GRADE BEAM
- MK. - MARK
- MAS. - MASONRY
- DIAG. - DIAGONAL
- COL. - COLUMN
- PROJ. - PROJECTION
- T & B - TOP & BOTTOM
- N.F. - NEAR FACE
- F.F. - FAR FACE
- % - ON CENTER
- @ - AT EACH

NO.	DATE	ISSUED FOR
AREA CODE 303 371-3950 3730 SALEM ST. DENVER, COLO. 80239		
JOB HDTWNTF EQUIP. & MAINT. BLDGS.		
LOCATION FOUNTAIN, Co.		
DESCRIPTION FOUND. PLAN & EQUIP. & MAINT. BLDGS.		
CONTRACTOR WEAVER CONST.		
ARCHITECT GMS		
DRAWN:	CHECKED:	DATE:
D. TAPIN		8/25/11
REVISIONS	JOB NO.	DRAWING NO.
	10082	DEM-1