



**WEAVER CONSTRUCTION MANAGEMENT COMPANY**  
 3679 S. Huron St., Suite 404  
 Englewood, CO 80110  
 Phone: (303) 789-4111 FAX: (303) 789-4310

**SUBMITTAL TRANSMITTAL**

January 17, 2012  
**Submittal No: 03200-014**

**PROJECT:** **Harold Thompson Regional WRF**  
 Birdsall Rd.  
 Fountain, CO 80817  
 Job No. 2908

**ENGINEER:** **GMS, Inc.**  
 611 No. Weber St., #300  
 Colorado Springs, CO 80903  
 719-475-2935 Roger Sams

**OWNER:** **Lower Fountain Metropolitan  
 Sewage Disposal District**  
 901 S. Santa Fe Ave.  
 Fountain, CO 80817  
 719-382-5303 James Heckman

**CONTRACTOR:** **Dalco Industries Inc.**  
 3730 Salem Street  
 Denver, CO 80239  
 303-371-3950 David Tarin

**SUBJECT:** Aeration Basin Level Control Structure (XA-1)

**SPEC SECTION:** 03200 - Concrete Reinforcement

**PREVIOUS SUBMISSION DATES:**

**DEVIATIONS FROM SPEC:** \_\_\_ YES  X  NO

**CONTRACTOR'S STAMP:** This submittal has been reviewed by WCM and approved with respect to the means, methods, techniques, & safety precautions & programs incidental thereto. Weaver General Construction also warrants that this submittal complies with contracted documents and comprises on deviations thereto:

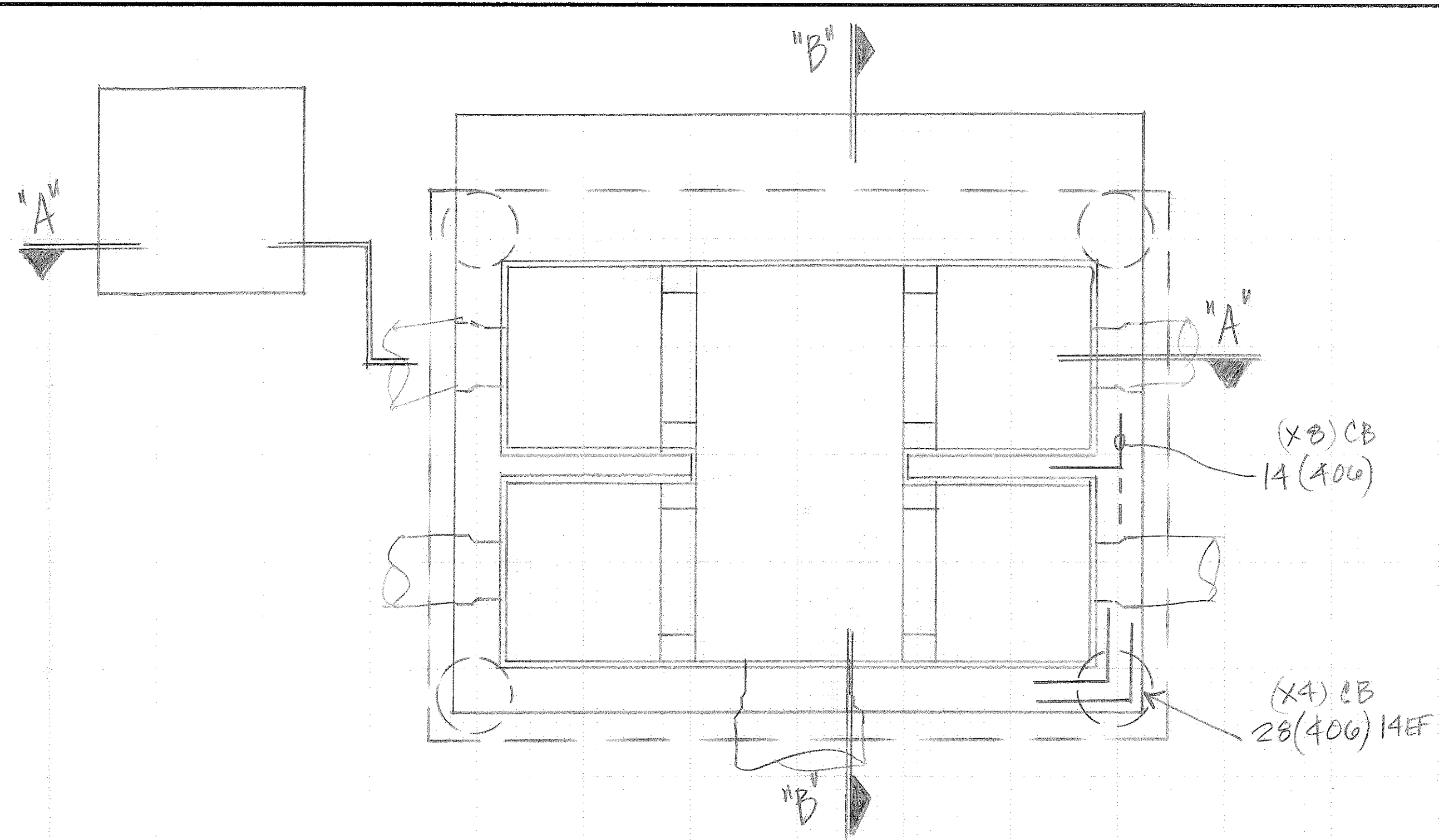
**Contractor's Stamp:**

Date: 1/17/12  
 Reviewed by: H.C. Myers  
 ( X ) Reviewed Without Comments  
 ( ) Reviewed With Comments

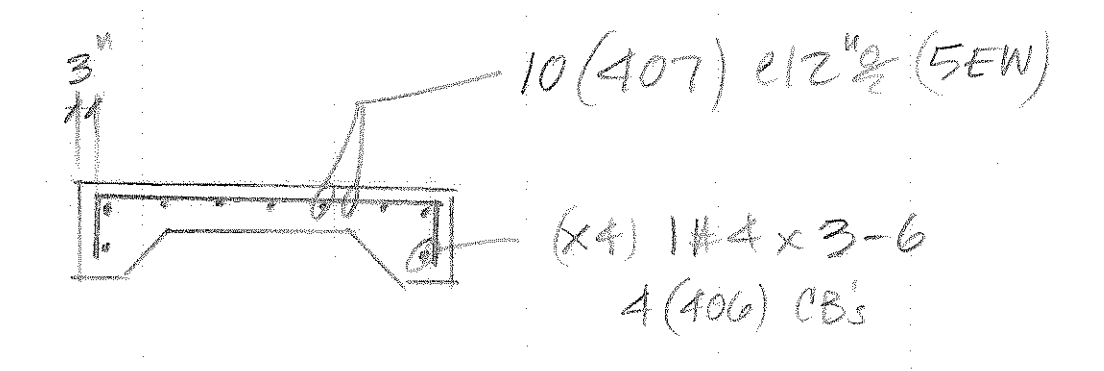
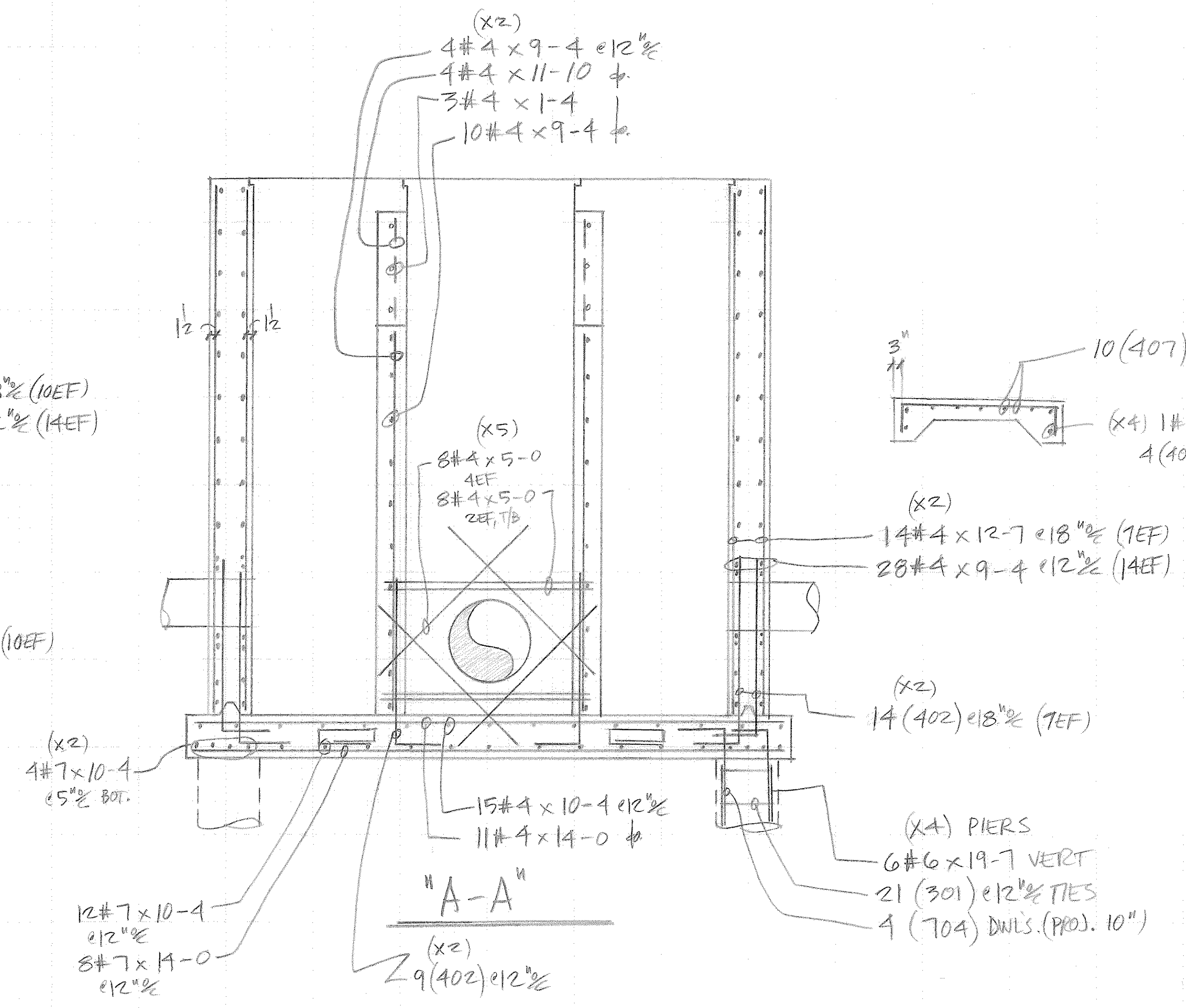
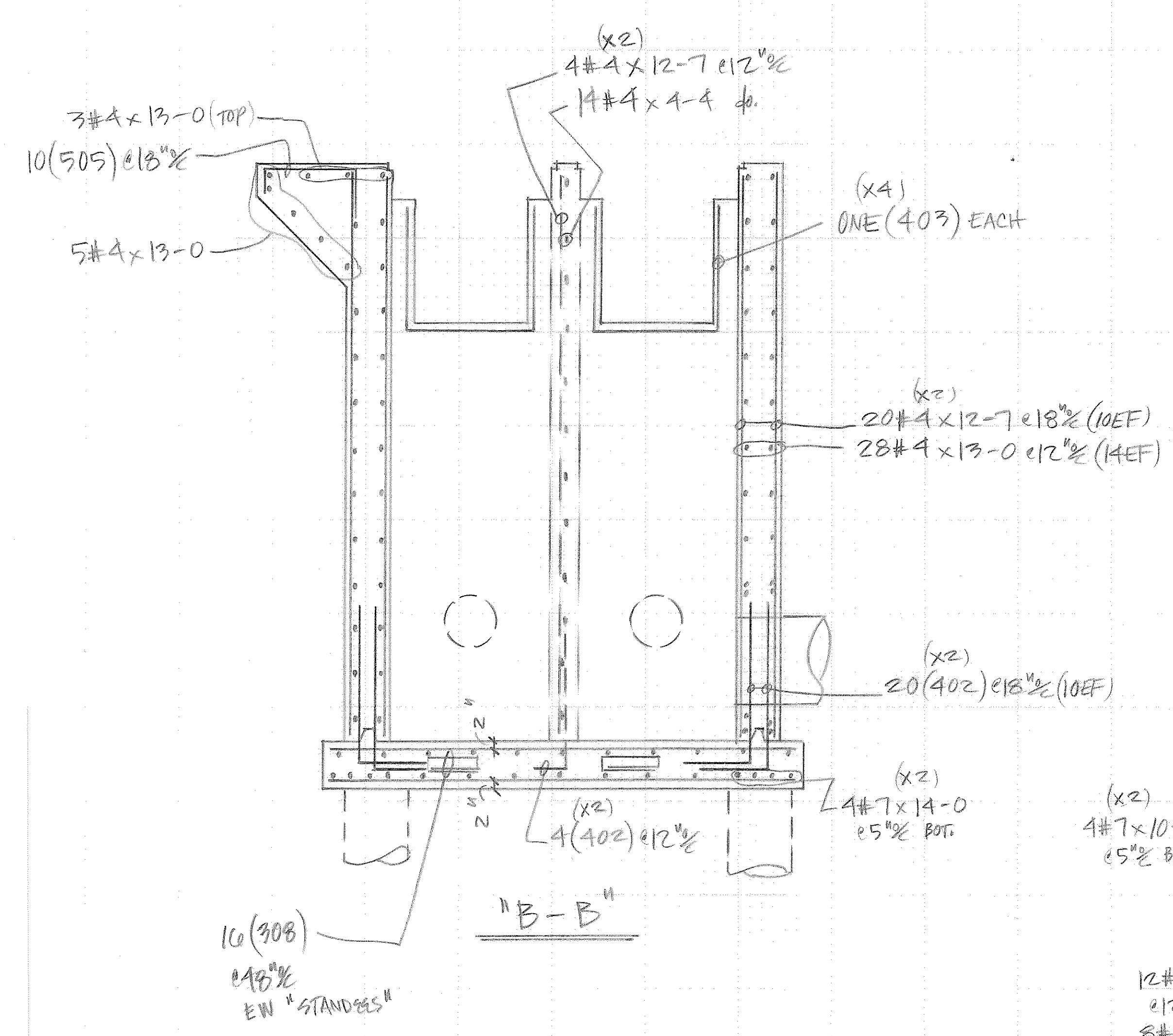
**Engineer's Stamp:**

**ENGINEER'S COMMENTS:** \_\_\_\_\_

QTY	SIZE	TYPE	LENGTH FT. - IN.	MARK	SKETCH	A	B	C	D	E	F/R	G	H	K	J	O	
3	13		301	○				3-2								1-0	1-0
4	17		402	┌			1-0	4-0									
4	17		403	┐			2-6	2-9	2-6								
7	17		704	┌			1-2	6-6									
5	17		505	┐			0-5	2-0	1-0								
4	17		406	┌			2-9	2-9									
4	17		407	┐			0-6	3-6	0-6								
3	25		308	⊞			1-6	+	1-6	+	1-6			0-5	+		



AERATION BASIN LEVEL CONTROL STRUCT.  
1/2" = 1'-0"



LEGEND	
O.F.	OUTSIDE FACE
I.F.	INSIDE FACE
E.F.	EACH FACE
HORIZ.	HORIZONTAL
VERT.	VERTICAL
DWLS.	DOWELS
FTG.	FOOTING
ELEV.	ELEVATION
E.W.	EACH WAY
T.O.F.	TOP OF FOOTING
B.O.F.	BOTTOM OF FOOTING
T.O.W.	TOP OF WALL
B.O.W.	BOTTOM OF WALL
GRD. BM.	GRADE BEAM
MK.	MARK
MAS.	MASONRY
DIAG.	DIAGONAL
COL.	COLUMN
PROJ.	PROJECTION
T & B	TOP & BOTTOM
N.F.	NEAR FACE
F.F.	FAR FACE
%	ON CENTER
@	AT EACH

NO.	DATE	ISSUED FOR

**DALCO** INDUSTRIES, INC.  
 An Employee Owned Company  
 AREA CODE 303 371-3950 3730 SALEM ST. DENVER, COLO. 80239

JOB HDTWWTP  
 LOCATION FOUNTAIN, CO.  
 DESCRIPTION AERATION BASIN LVL. CONTROL STRUCT.  
 CONTRACTOR WEAVER CONST.  
 ARCHITECT GMS, INC.  
 DRAWN: [Signature] CHECKED: [Signature] DATE: 11/2/12 REVISIONS: [Blank] JOB NO. 10082 DRAWING NO. XA-1