



Weaver

CONSTRUCTION MANAGEMENT

3679 S Huron Street, Suite 404 Englewood, Colorado 80110

Phone: (303) 789-4111 FAX: (303) 789-4310

SUBMITTAL TRANSMITTAL

February 13, 2012

Submittal No: 03200-015

PROJECT: **Harold Thompson Regional WRF**
Birdsall Rd.
Fountain, CO 80817
Job No. 2908

ENGINEER: **GMS, Inc.**
611 No. Weber St., #300
Colorado Springs, CO 80903
719-475-2935 Roger Sams

OWNER: **Lower Fountain Metropolitan
Sewage Disposal District**
901 S. Santa Fe Ave.
Fountain, CO 80817
719-382-5303 James Heckman

CONTRACTOR: **Dalco Industries Inc.**
3730 Salem Street
Denver, CO 80239
303-371-3950 David Tarin

SUBJECT: Rebar for the WYE and Splitter Structures (WP1 & SP1)

SPEC SECTION: 03200 - Concrete Reinforcement

PREVIOUS SUBMISSION DATES:

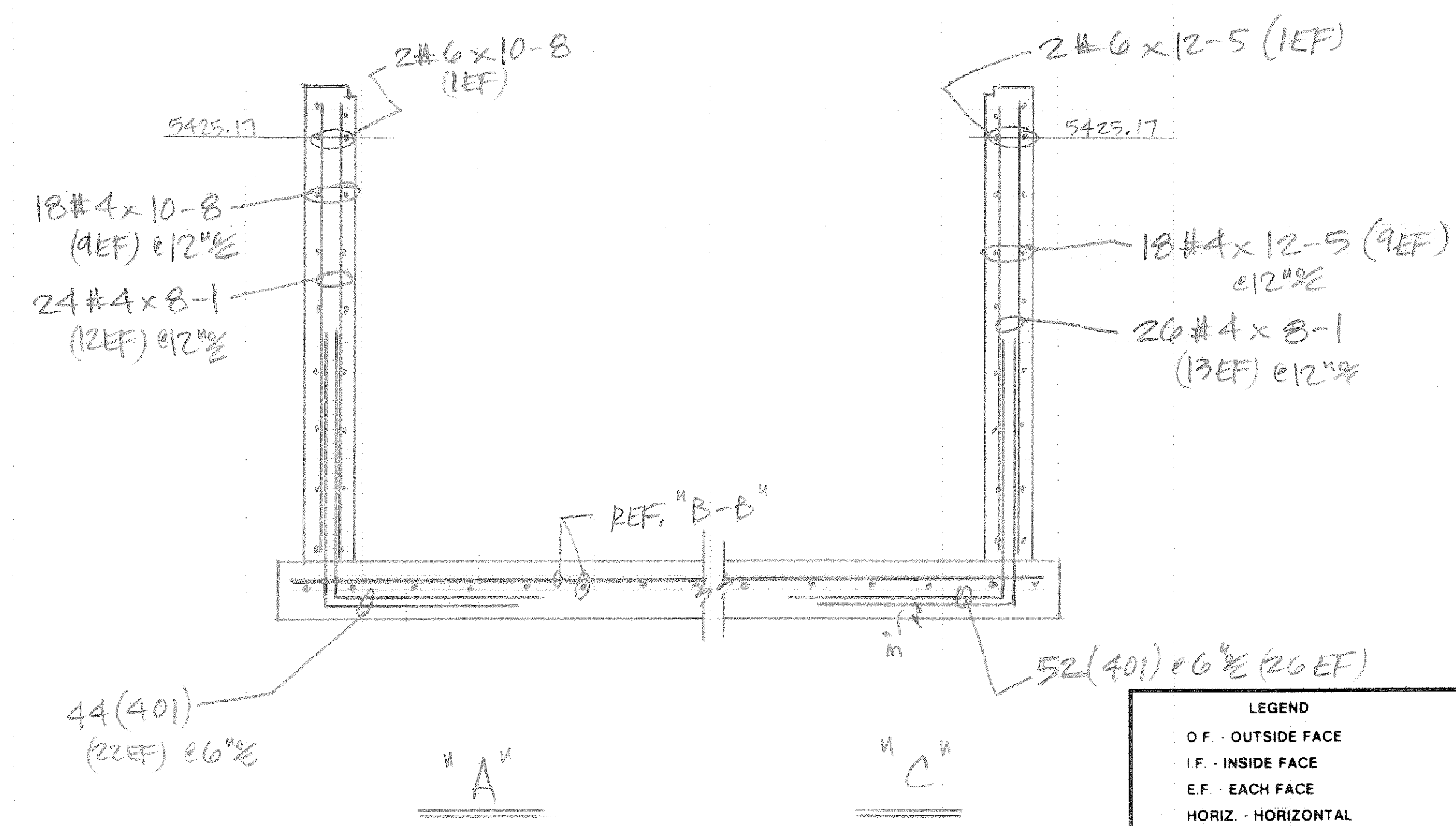
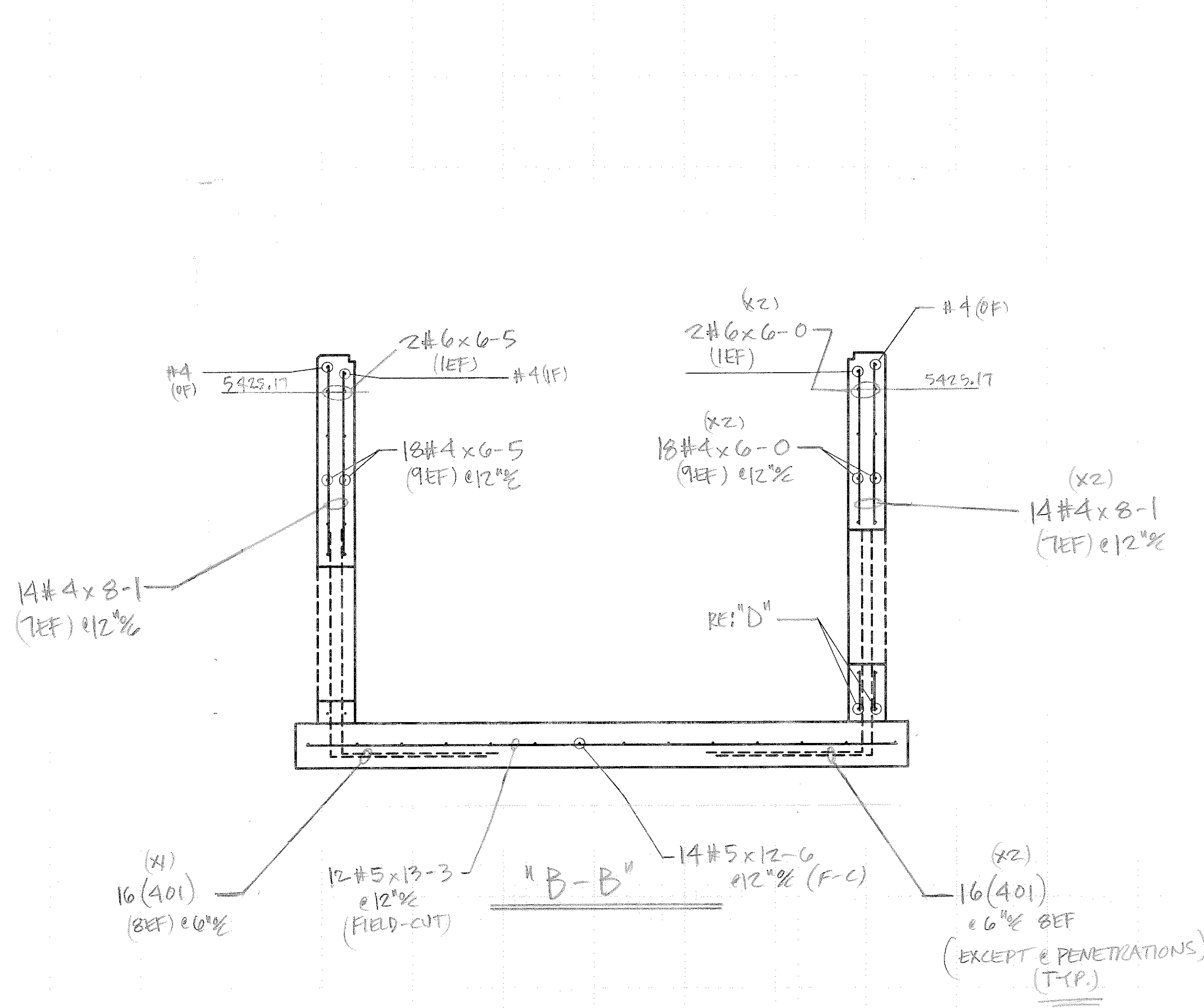
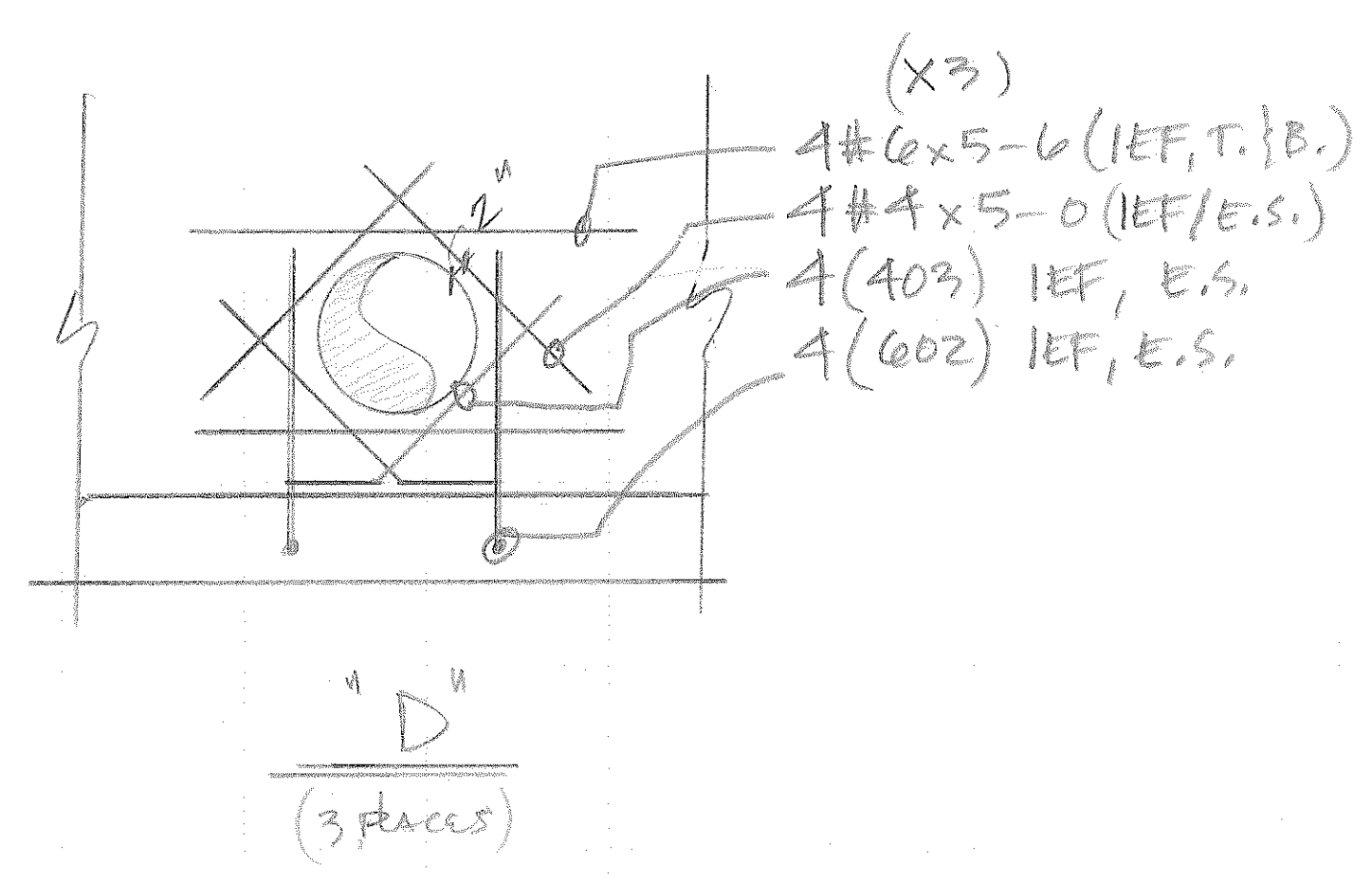
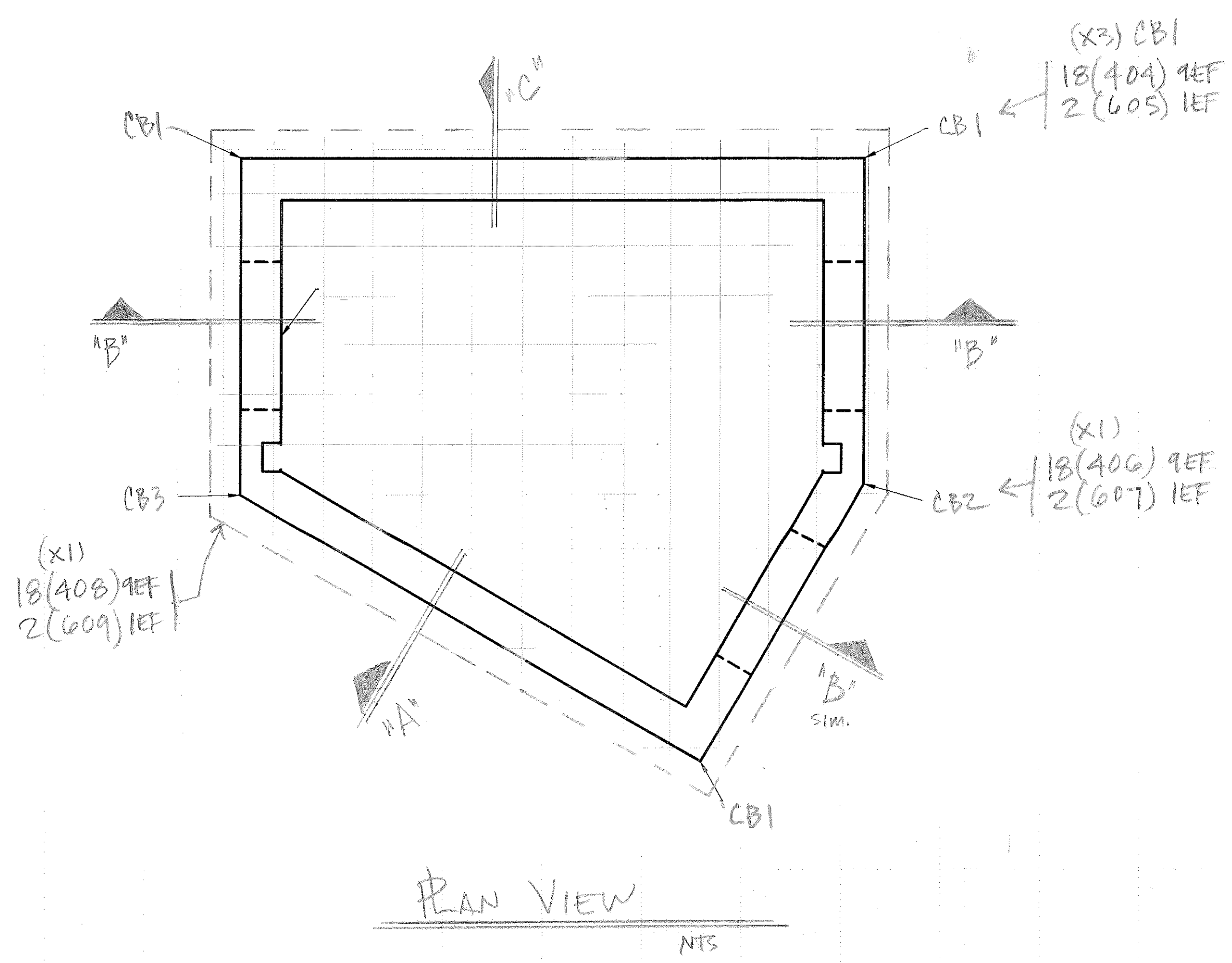
DEVIATIONS FROM SPEC: ___ YES X NO

CONTRACTOR'S STAMP: This submittal has been reviewed by Weaver Construction Management and, unless indicated otherwise, has been found to be in conformance with the intent of the contract documents.

<p>Contractor's Stamp:</p> <p>Date: 2/13/12 Reviewed by: John Jacob</p> <p>(X) Reviewed Without Comments () Reviewed With Comments</p>	<p>Engineer's Stamp:</p>
---	--------------------------

ENGINEER'S COMMENTS: _____

QTY	SIZE	TYPE	LENGTH FT. - IN.	MARK	SKETCH	A	B	C	D	E	F/R	G	H	K	J	O
4	17			401	┌		2-6	4-0								
6	17			602	┌		3-6	5-0								
4	3			403	└		4-0	1-0					+	+		
4	17			404	└		2-6	2-6								
6	17			605	└		3-6	3-6								
4	3			406	└		2-6	2-6					1-3	+		
6	3			607	└		3-6	3-6					1-9	+		
4	3			408	└		2-6	2-6					2-2	+		
6	3			609	└		3-6	3-6					3-0	+		

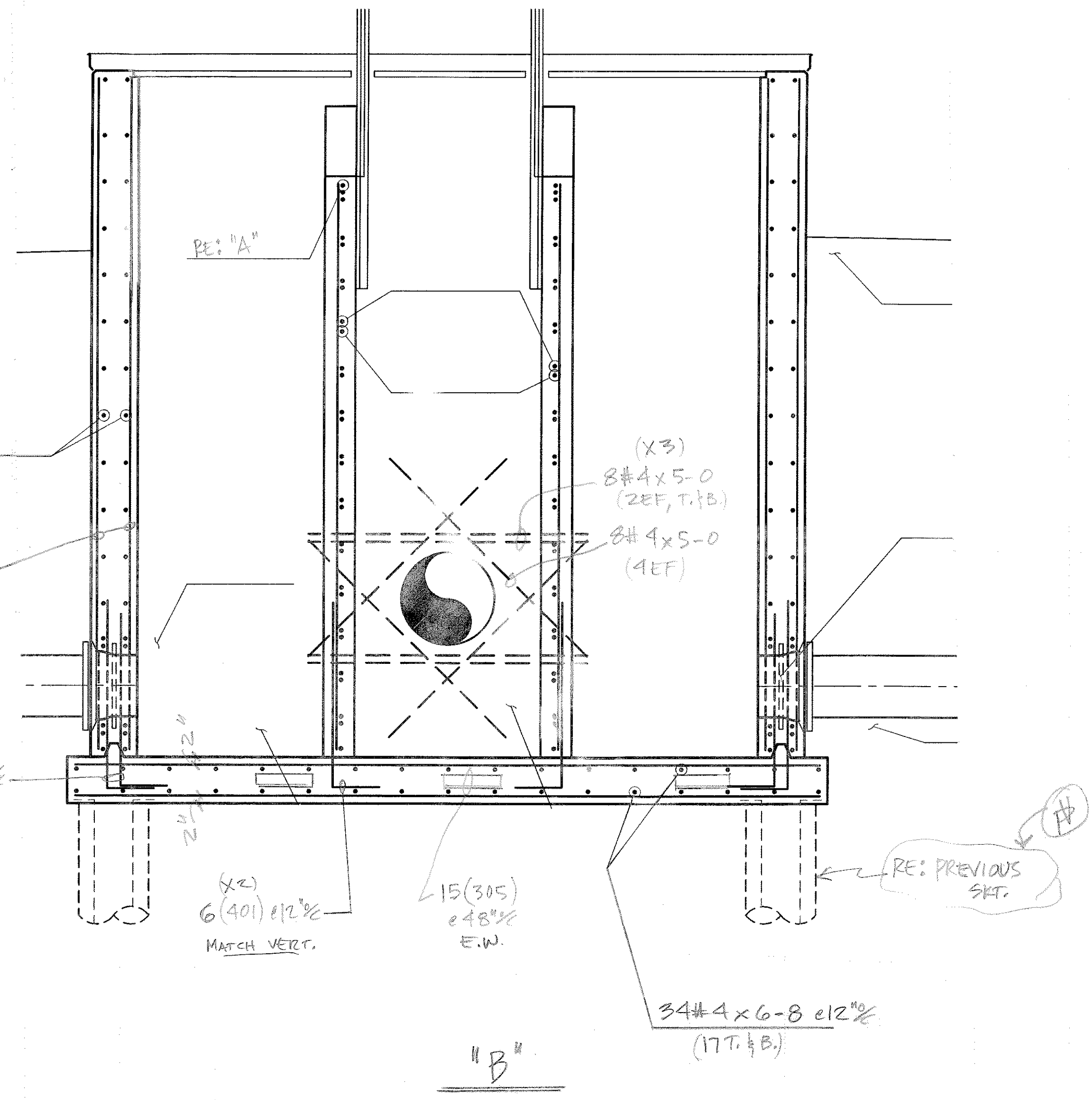
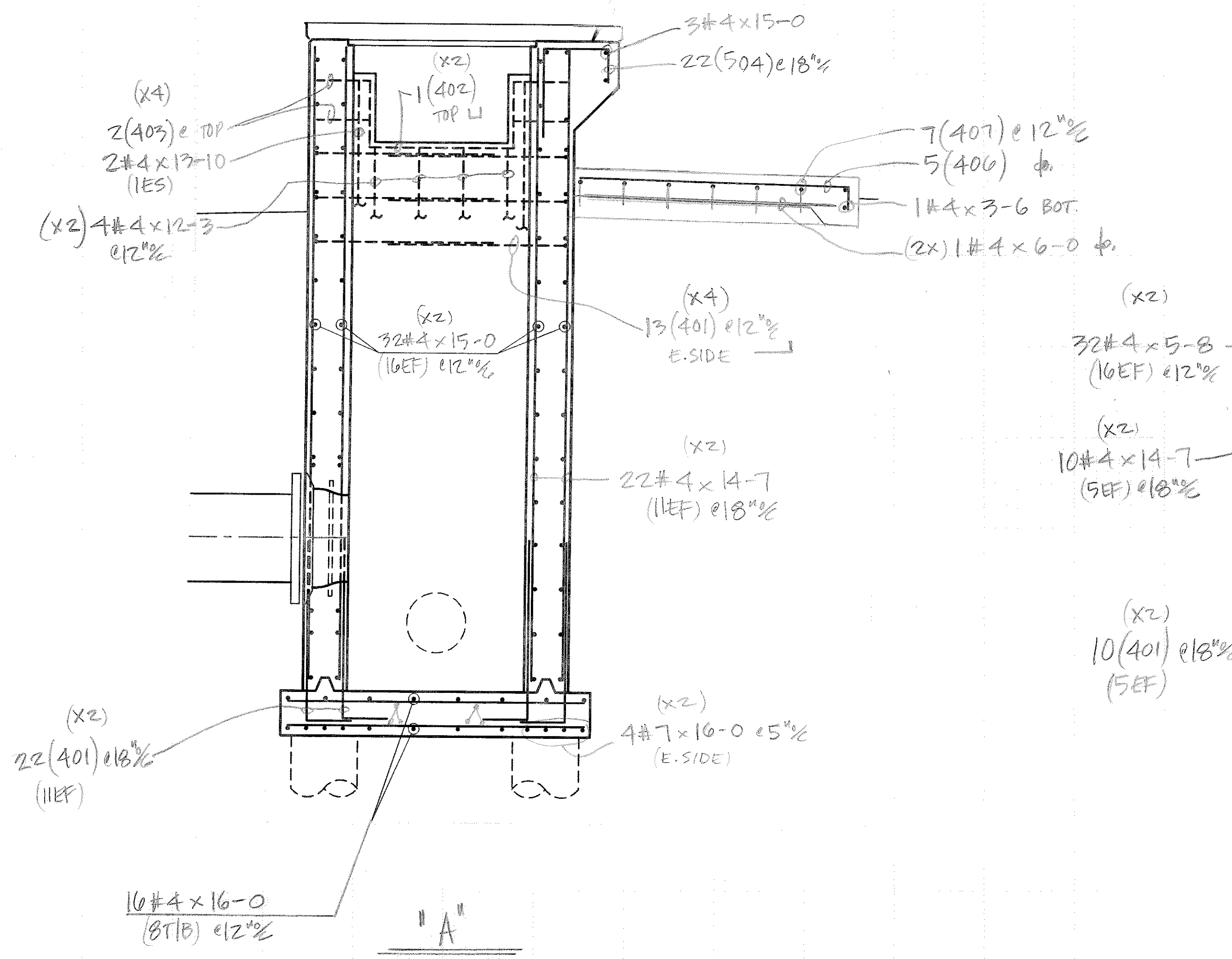
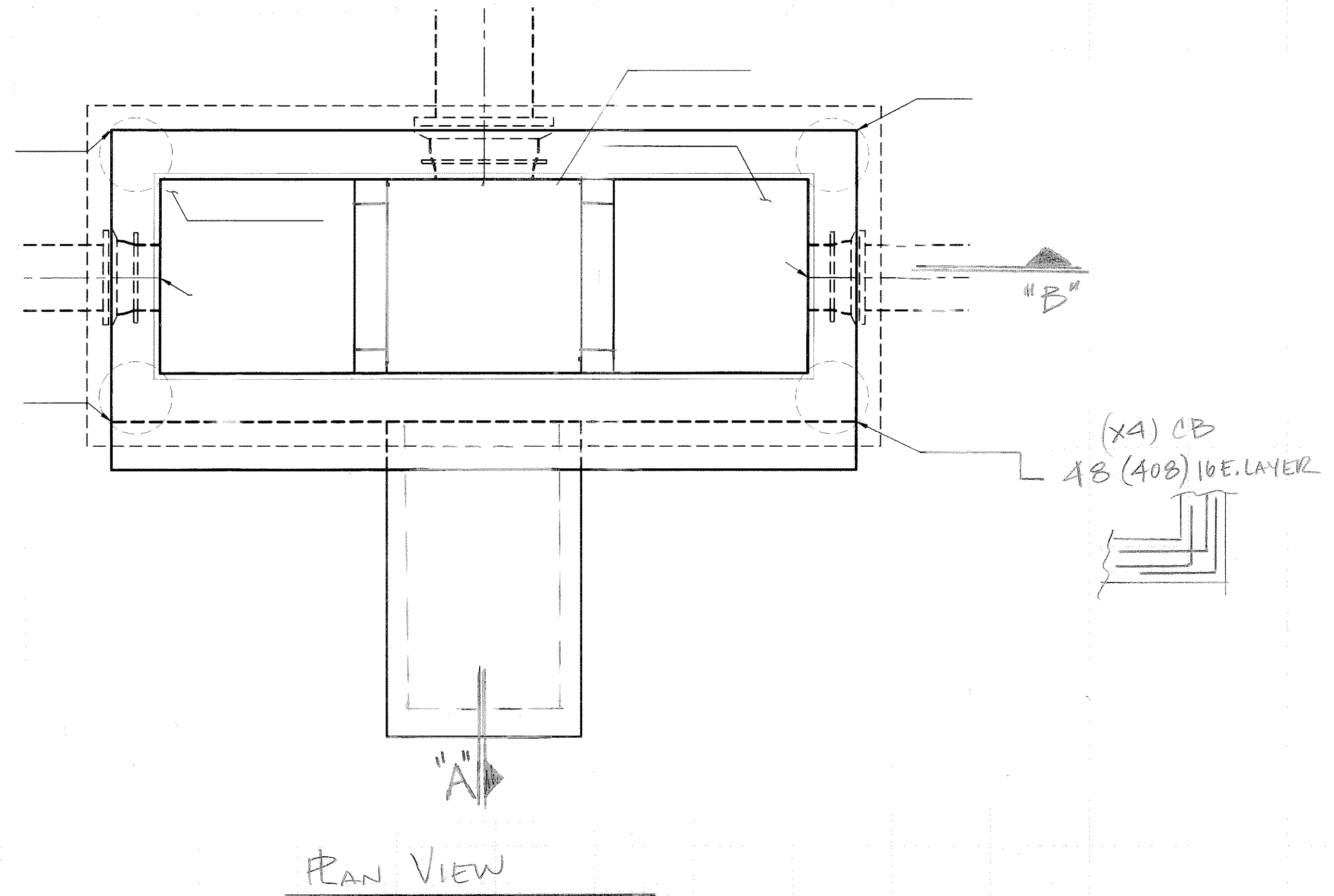


LEGEND

- O.F. - OUTSIDE FACE
- I.F. - INSIDE FACE
- E.F. - EACH FACE
- HORIZ. - HORIZONTAL
- VERT. - VERTICAL
- DWLS. - DOWELS
- FTG. - FOOTING
- ELEV. - ELEVATION
- E.W. - EACH WAY
- T.O.F. - TOP OF FOOTING
- B.O.F. - BOTTOM OF FOOTING
- T.O.W. - TOP OF WALL
- B.O.W. - BOTTOM OF WALL
- GRD. BM. - GRADE BEAM
- MK. - MARK
- MAS. - MASONRY
- DIAG. - DIAGONAL
- COL. - COLUMN
- PROJ. - PROJECTION
- T & B - TOP & BOTTOM
- N.F. - NEAR FACE
- F.F. - FAR FACE
- @ - ON CENTER
- @ - AT EACH

NO.	DATE	ISSUED FOR
AREA CODE 303 371-3950 3730 SALEM ST. DENVER, COLO. 80239		
JOB	HDT WWTTP	
LOCATION	FOUNTAIN, CO.	
DESCRIPTION	WYE STRUCT.	
CONTRACTOR	WEAVER CONST.	
ARCHITECT	GMS	
DRAWN	CHECKED	DATE
		2/9/12
REVISIONS	JOB NO.	DRAWING NO.
	10082	WPI

QTY	SIZE	TYPE	LENGTH FT. - IN. 0	MARK	SKETCH	A	B	C	D	E	F/R	G	H	K	J	O
4	17			401	┌		1-0	4-0								
4	17			402	└		1-7	3-3	1-7							
4	12			403	┌	+	0-5	1-3	+	+						
5	17			504	┐		2-0	1-6	0-9							
3	25			305	▬		1-6	+	1-6	+	1-6		0-6	+		
4	17			406	└		0-6	6-0								
4	17			407	┌		0-6	3-6	0-6							
4	17			408	└		3-0	3-0								



LEGEND
 O.F. - OUTSIDE FACE
 I.F. - INSIDE FACE
 E.F. - EACH FACE
 HORIZ. - HORIZONTAL
 VERT. - VERTICAL
 DWLS. - DOWELS
 FTG. - FOOTING
 ELEV. - ELEVATION
 E.W. - EACH WAY
 T.O.F. - TOP OF FOOTING
 B.O.F. - BOTTOM OF FOOTING
 T.O.W. - TOP OF WALL
 B.O.W. - BOTTOM OF WALL
 GRD. BM. - GRADE BEAM
 MK. - MARK
 MAS. - MASONRY
 DIAG. - DIAGONAL
 COL. - COLUMN
 PROJ. - PROJECTION
 T & B - TOP & BOTTOM
 N.F. - NEAR FACE
 F.F. - FAR FACE
 % - ON CENTER
 @ - AT EACH

NO	DATE	ISSUED FOR

DALCO INDUSTRIES, INC.
 An Employee Owned Company
 AREA CODE 303 371-9950 3730 SALEM ST. DENVER, CO. 80239

JOB **HDTWNTP**
 LOCATION **FOUNTAIN, CO.**
 DESCRIPTION **SPRITER STRUCT.**
 CONTRACTOR **WEAVER CONST.**
 ARCHITECT **GMS**

DRAWN:	CHECKED:	DATE:	REVISIONS:	JOB NO.	DRAWING NO.
BT		2/19/12		10082	SP1