



# Weaver

CONSTRUCTION MANAGEMENT

3679 S Huron Street, Suite 404 Englewood, Colorado 80110

Phone: (303) 789-4111 FAX: (303) 789-4310

## SUBMITTAL TRANSMITTAL

April 25, 2012

**Submittal No: 03200-017**

PROJECT: **Harold Thompson Regional WRF**  
Birdsall Rd.  
Fountain, CO 80817  
Job No. 2908

ENGINEER: **GMS, Inc.**  
611 No. Weber St., #300  
Colorado Springs, CO 80903  
719-475-2935 Roger Sams

OWNER: **Lower Fountain Metropolitan  
Sewage Disposal District**  
901 S. Santa Fe Ave.  
Fountain, CO 80817  
719-382-5303 James Heckman

CONTRACTOR: **Dalco Industries Inc.**  
3730 Salem Street  
Denver, CO 80239  
303-371-3950 David Tarin

SUBJECT: Rebar for Flow Diversion Structure (FD-1)

SPEC SECTION: 03200 - Concrete Reinforcement

PREVIOUS SUBMISSION DATES:

DEVIATIONS FROM SPEC: \_\_\_ YES X NO

CONTRACTOR'S STAMP: This submittal has been reviewed by Weaver Construction Management and, unless indicated otherwise, has been found to be in conformance with the intent of the contract documents.

Contractor's Stamp:

Date: 4/25/12

Reviewed by: Jeff Burst

( ) Reviewed Without Comments

(X) Reviewed With Comments

Engineer's Stamp:

ENGINEER'S  
COMMENTS:



**Project: HDTWRF Project**

**Location: Fountain, CO**

**Engineer: GMS Consulting**

**Supplier: Dalco**

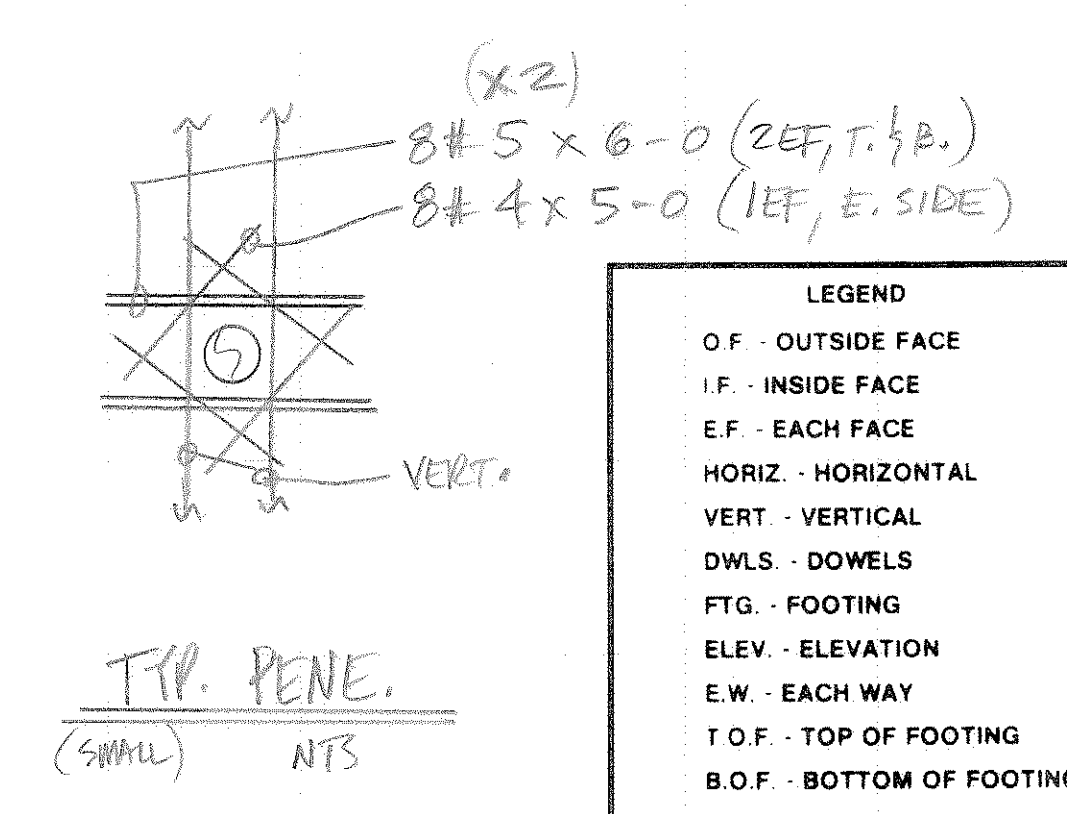
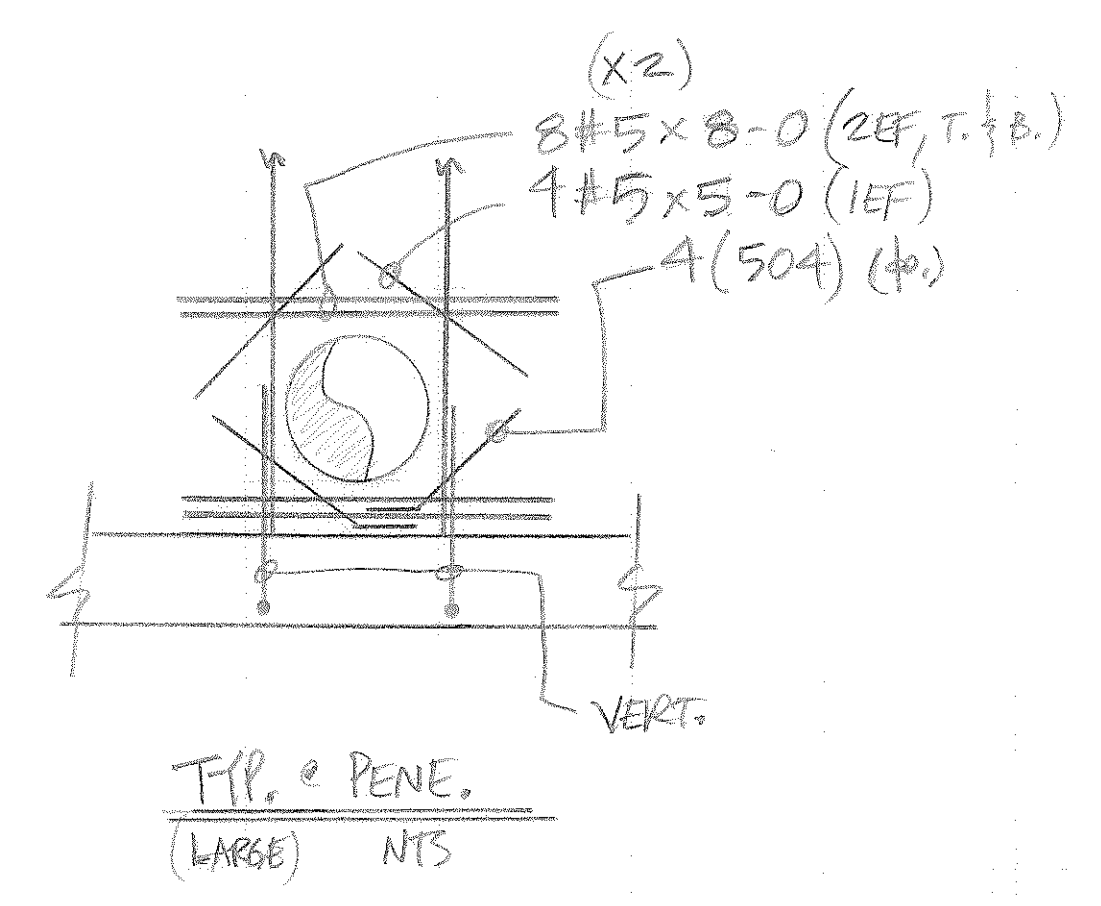
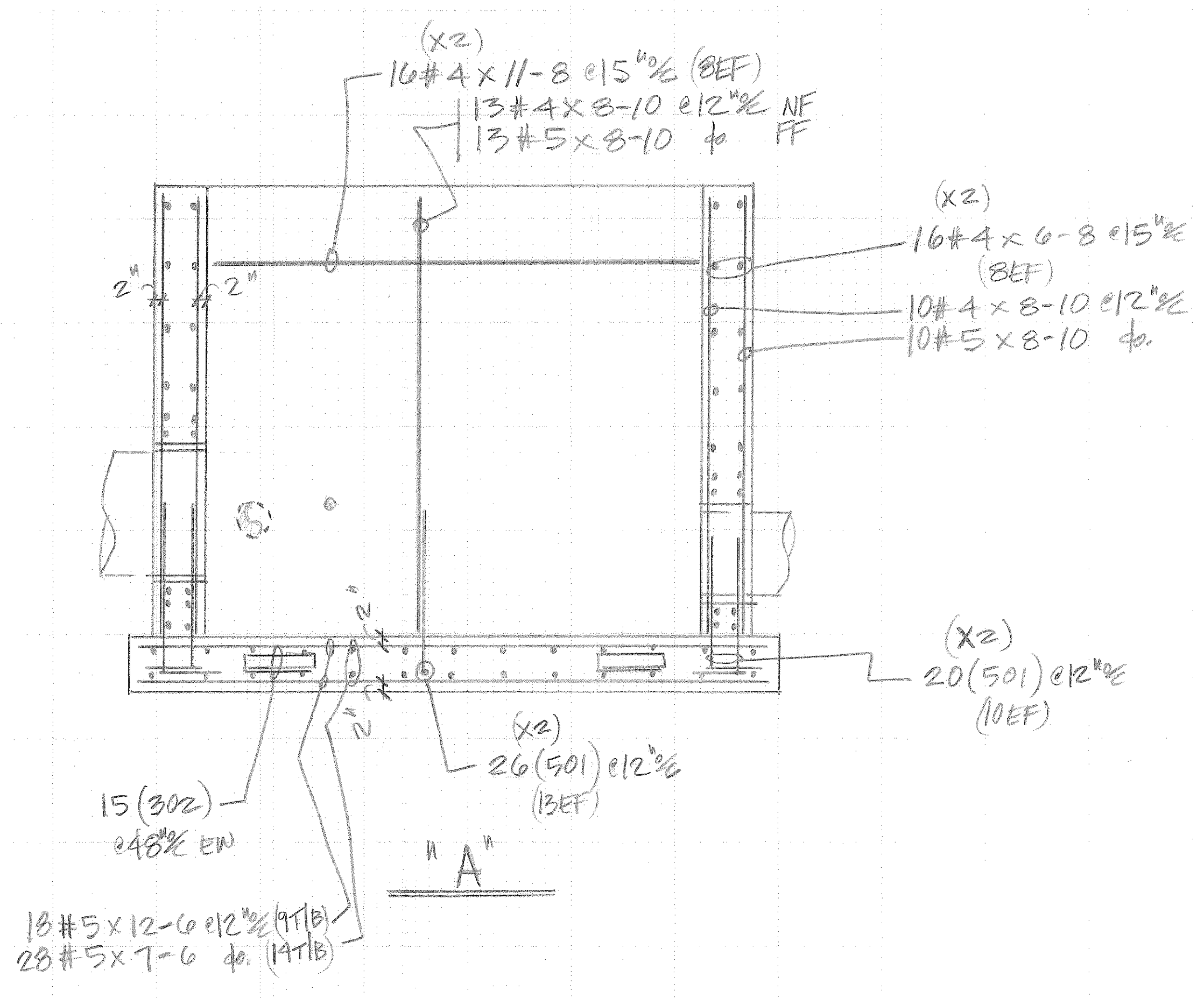
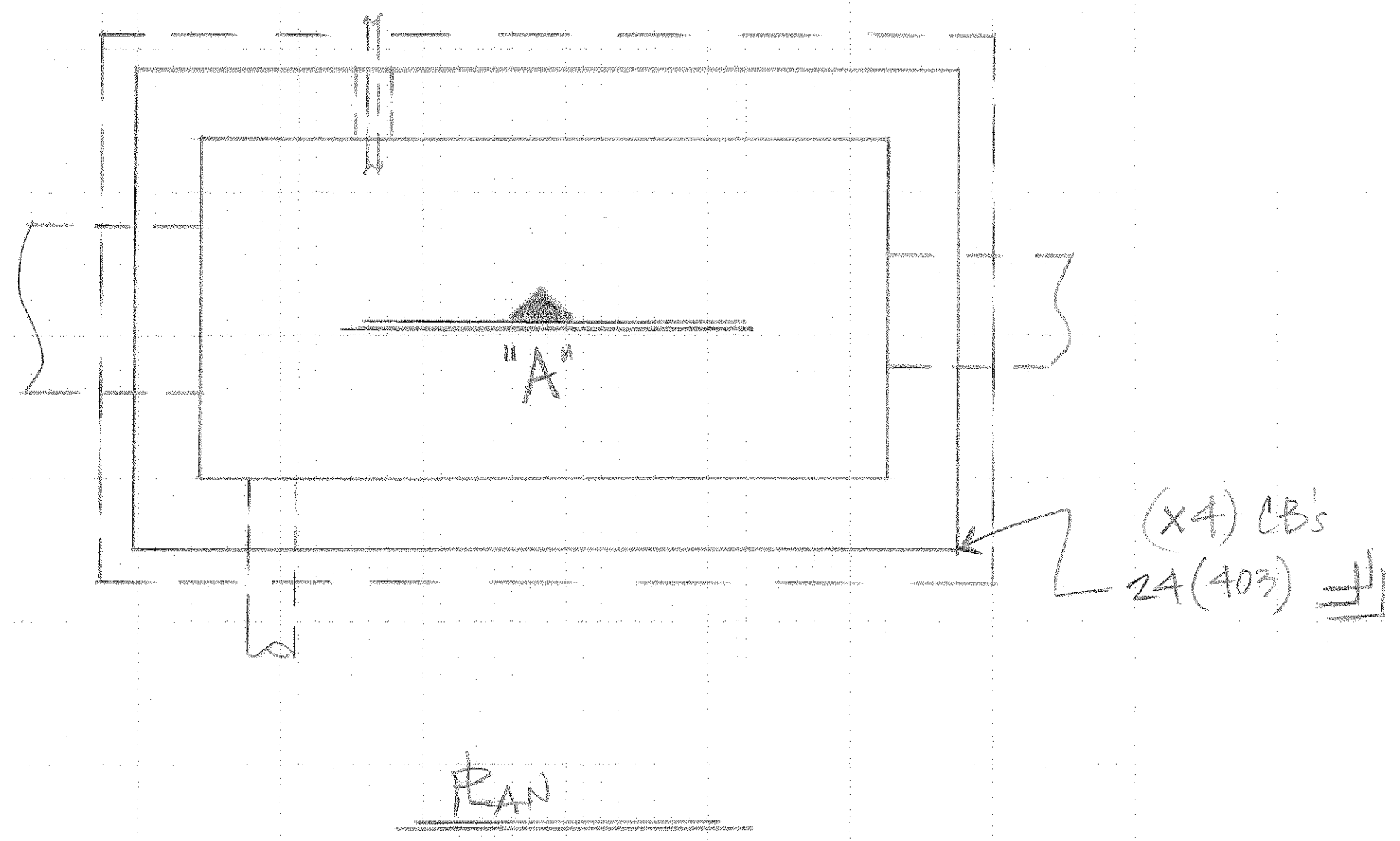
**Date: 4/25/12**

**Subject: Flow Diversion Structure**

**Submittal No. 03200-017**

***comment: Field cut #4 horizontal bar for grating support beam pocket.***

QTY	SIZE	TYPE	LENGTH FT. - IN.	MARK	SKETCH	A	B	C	D	E	F/R	G	H	K	J	O	
5	17		501	Γ		1-0	3-4										
3	25		302	≡		1-6	+	1-6	+	1-6			0-54	+			
4	17		403	Γ		3-0	3-0										
5	3		504	∩		3-0	1-0							+	+		



LEGEND

- O.F. - OUTSIDE FACE
- I.F. - INSIDE FACE
- E.F. - EACH FACE
- HORIZ. - HORIZONTAL
- VERT. - VERTICAL
- DWLS. - DOWELS
- FTG. - FOOTING
- ELEV. - ELEVATION
- E.W. - EACH WAY
- T.O.F. - TOP OF FOOTING
- B.O.F. - BOTTOM OF FOOTING
- T.O.W. - TOP OF WALL
- B.O.W. - BOTTOM OF WALL
- GRD. BM. - GRADE BEAM
- MK. - MARK
- MAS. - MASONRY
- DIAG. - DIAGONAL
- COL. - COLUMN
- PROJ. - PROJECTION
- T & B - TOP & BOTTOM
- N.F. - NEAR FACE
- F.F. - FAR FACE
- ∅ - ON CENTER
- ⊖ - AT EACH

NO.	DATE	ISSUED FOR
<small>AREA CODE 303 371-3950 3730 SALEM ST. DENVER, COLO. 80239</small>		
JOB <b>HDTWWTP</b>		
LOCATION <b>Fountain, Co.</b>		
DESCRIPTION <b>FLOW DIVERSION STRUCT.</b>		
CONTRACTOR <b>WEAVER CONST.</b>		
ARCHITECT <b>GMS</b>		
DRAWN: <b>D. TAJAN</b>	CHECKED:	DATE: <b>4/24/12</b>
	REVISIONS:	JOB NO. <b>12090</b> DRAWING NO. <b>FD1</b>

KOLY INDUSTRIES, INC. SUPPLY CO.