



Weaver

CONSTRUCTION MANAGEMENT

3679 S Huron Street, Suite 404 Englewood, Colorado 80110

Phone: (303) 789-4111 FAX: (303) 789-4310

SUBMITTAL TRANSMITTAL

March 23, 2012

Submittal No: 05500-010.A

PROJECT: **Harold Thompson Regional WRF**
Birdsall Rd.
Fountain, CO 80817
Job No. 2908

ENGINEER: **GMS, Inc.**
611 No. Weber St., #300
Colorado Springs, CO 80903
719-475-2935 Roger Sams

OWNER: **Lower Fountain Metropolitan
Sewage Disposal District**
901 S. Santa Fe Ave.
Fountain, CO 80817
719-382-5303 James Heckman

CONTRACTOR: **American Fabricators, Inc**
10290 E. 106th Ave.
Brighton, Co 80601
303-296-6223 Chuck Allen
amerfab@msn.com

SUBJECT: Re-submittal for WYE Structure - Misc. Metals (SD-01, SD-02, SD-03)

SPEC SECTION: 05500 - Metal Fabrications

PREVIOUS SUBMISSION DATES: 3/1/12

DEVIATIONS FROM SPEC: YES NO

CONTRACTOR'S STAMP: This submittal has been reviewed by Weaver Construction Management and, unless indicated otherwise, has been found to be in conformance with the intent of the contract documents.

Contractor's Stamp:

Engineer's Stamp:

Date: 3/23/12

Reviewed by: Tyler Ammerman

() Reviewed Without Comments

(X) Reviewed With Comments

ENGINEER'S

COMMENTS:



Project: HDTWRF Project

Location: Fountain, CO

Supplier: American Fabricators Inc.

Date: 3/23/12

Submittal for: 5500-010.A – Re-submittal for Wye Structure misc. metals

Submittal Review Comments:

- 1. SD-2: Corrections made to angles and two bolts called out.**
- 2. SD-3: Corrections made to angles and it is our standard practice to field measure for grating to ensure fitment.**

Notes:

1. FIELD VERIFICATION IS REQUIRED PRIOR TO FABRICATION.
2. Beam conforms to ASTM A572/A992 Gr. 50 steel.
3. Embed angle is 6061-T6 Aluminum. Angles will be coated with tar coat on concrete contact sides.

CONTRACTOR:
Wesner General Construction Co.
3670 S. Hansen St. Suite 404
Englewood, CO 80110
Ph: (303)762-4111 / Fx: (303)762-4210

FABRICATOR:
Ashton Fabricators
14200 E. 142nd Ave.
Bryan, Colorado 80011
Ph: (303)662-6222 / Fx: (303)662-6222

PROJECT:	HD Thompson Change Order	DWG. BY: CCA	CHK. BY: 800
TITLE:	Notes	DATE: NOV/07/2011	
		SHEET NUMBER:	N - 01

Harold D. Thompson
Change Order III
WYE Structure

Weaver General Construction Company

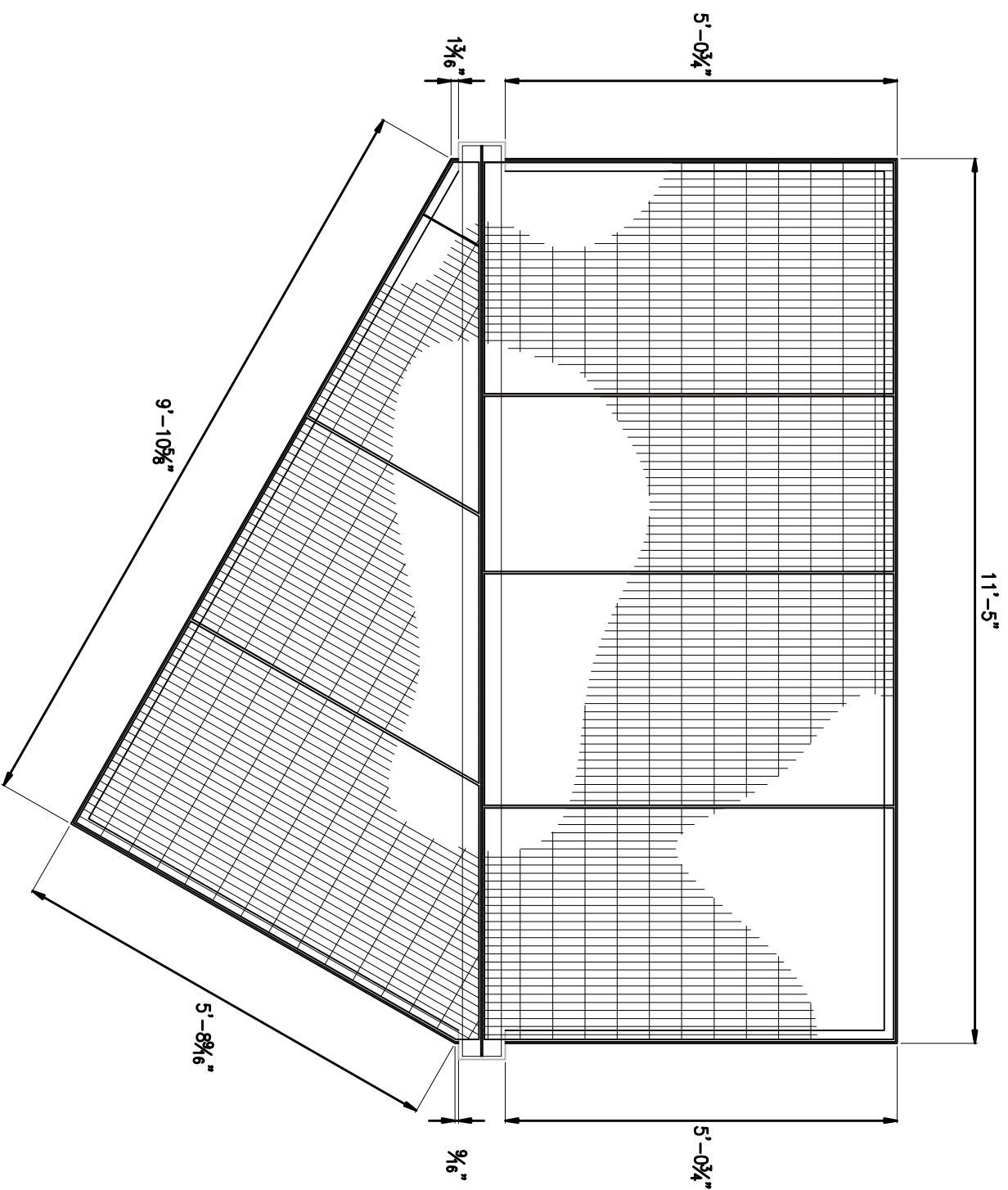
JOB# 00000000 P.O.# 00000000 TAX EXEMPT# 00000000

CONTRACTOR:
Weaver General Construction Co.
3670 S. Havana St. Suite 404
Englewood, CO 80110
Ph: (303)298-4111 / Fx: (303)298-4318

FABRICATOR:
American Fabricators
10290 E. 108th Ave.
Brighton, Colorado 80601
Ph: (303)298-6223 / Fx: (303)298-6283

PROJECT:	HD Thompson Change Order III	DWG BY: CCA	CHK BY: 800
TITLE:	Title	DATE:	JUN 21 2002
		SHEET NUMBER:	T - 01

1 WYE Structure Embed and Grating Plan



**NOTE: FIELD VERIFICATION IS REQUIRED
PRIOR TO FABRICATION ON GRATING.**

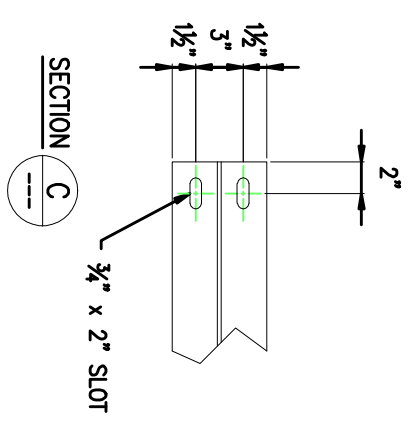
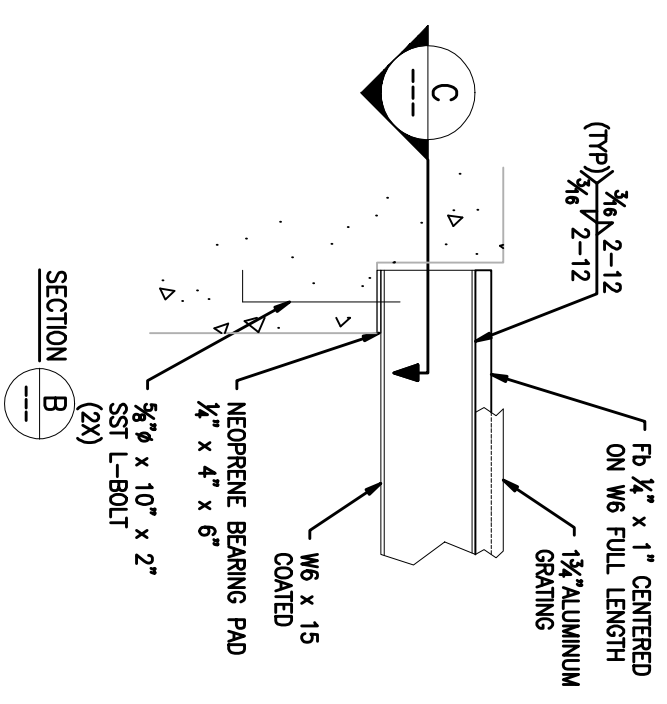
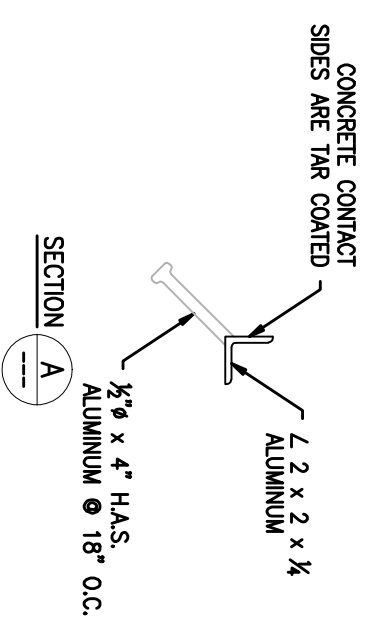
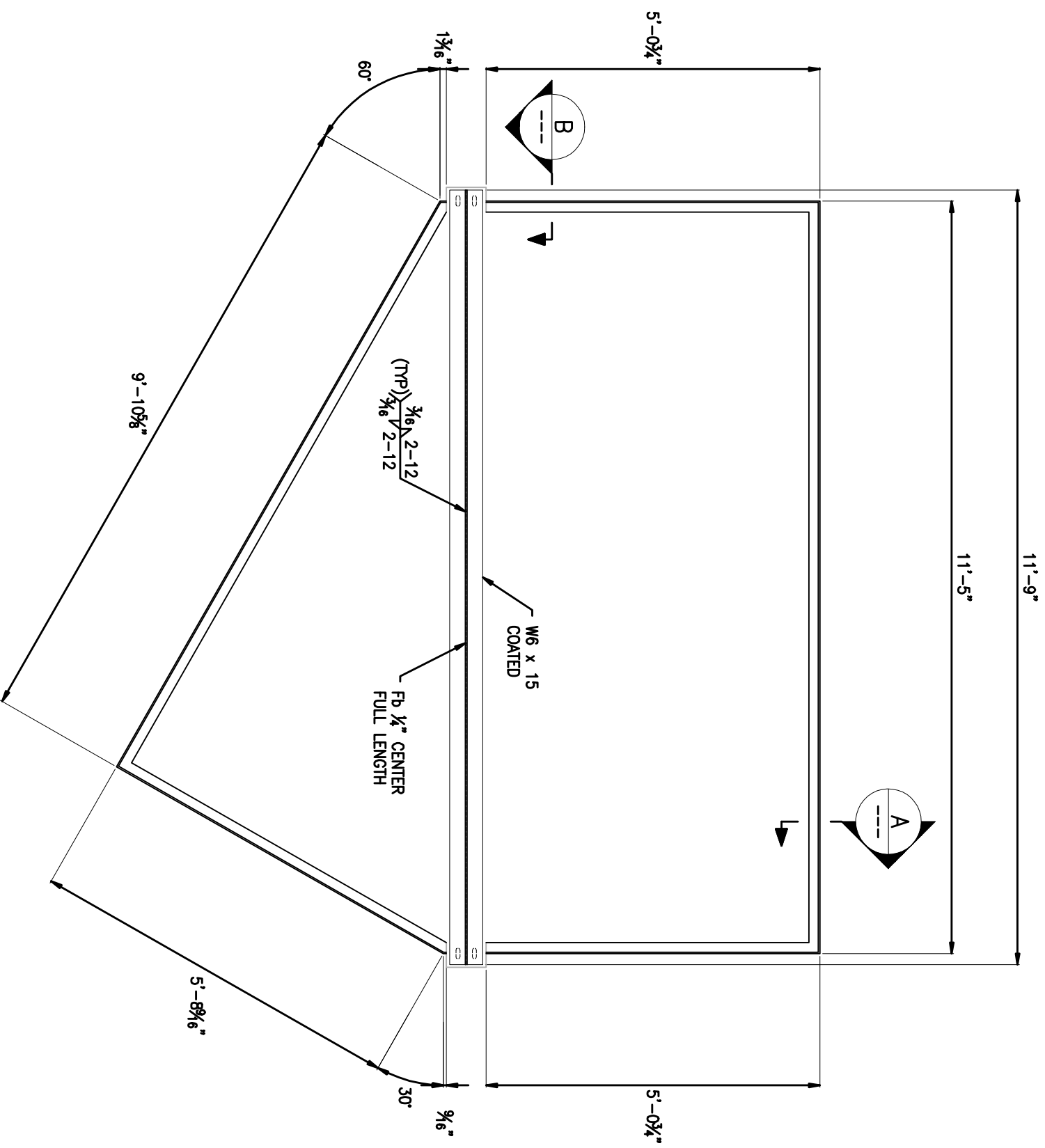
CONTRACTOR:
Weaver General Construction Co.
 3679 S. Huron St. Suite 404
 Englewood, CO 80110
 Ph: (303)769-4111 / Fx: (303)769-4310

FABRICATOR:
Amoson Fabricators
 14200 E. 140th Ave.
 Brighton, Colorado 80015
 Ph: (303)769-4111 / Fx: (303)769-4310

PROJECT: **HD Thompson Charge Order III**
 TITLE: **WYE Structure Embed**

Revision:	DATE:	DWG BY:	CHK BY:
1. -	JAN 31 2012	CCA	EDO
2. -			
3. -			
4. -			
5. -			

SHEET NUMBER: **SD - 01**



1 WYE Structure Elevation and Sections

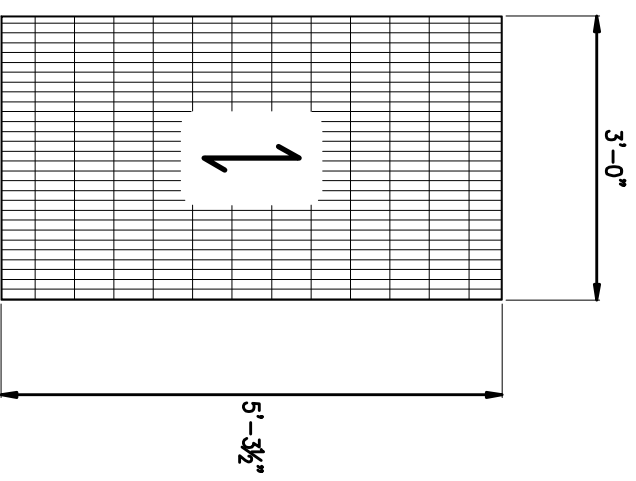
CONTRACTOR:
Weaver General Construction Co.
 3679 S. Huron St. Suite 404
 Englewood, CO 80110
 Ph: (303)769-4111 / Fx: (303)769-4310

FABRICATOR:
Amason Fabricators
 1420 E. 14th Ave.
 Englewood, Colorado 80110
 Ph: (303)769-4111 / Fx: (303)769-4310

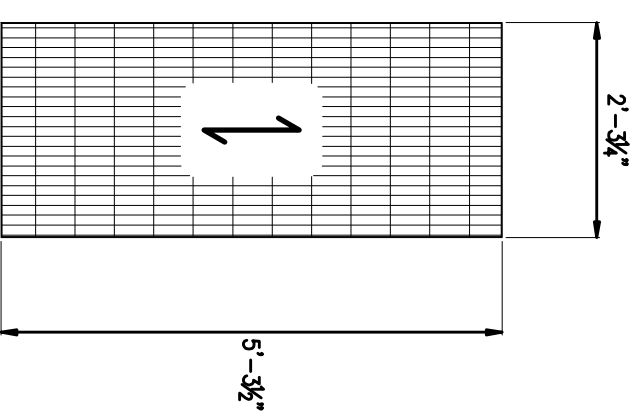
PROJECT: **HD Thompson Change Order III**
 TITLE: **Elevations and Section**

Revision:	DATE:	DWG BY:	CHK BY:
1. Changed Degrees of Embed per Engineer	03-22-12	CCA	EDO
2. -	-	-	-
3. -	-	-	-
4. -	-	-	-
5. -	-	-	-

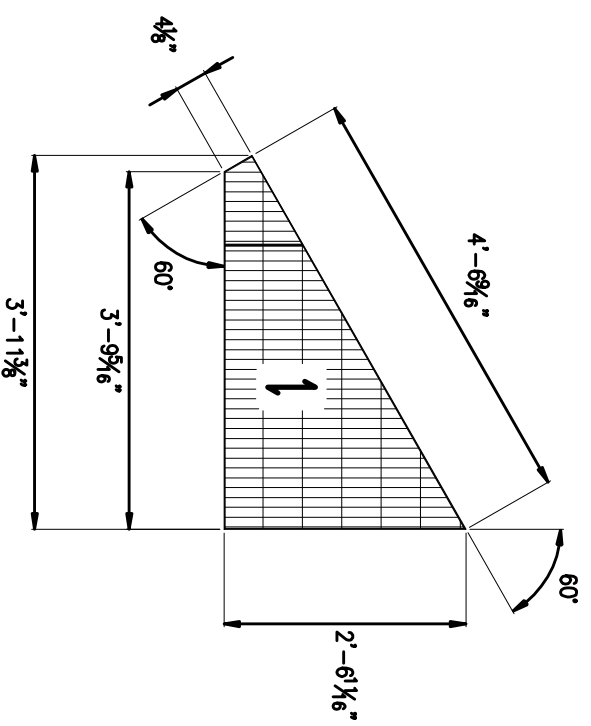
SHEET NUMBER: **SD - 02**



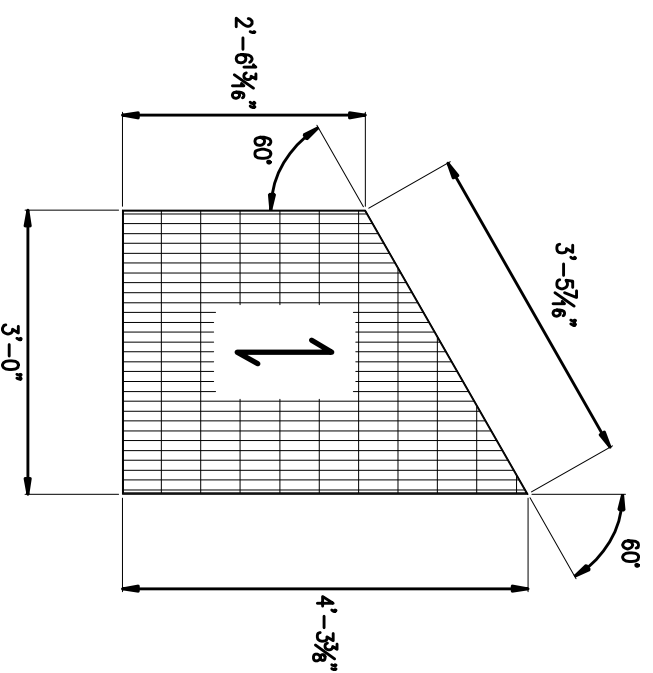
1 3/4" x 1/4" ALUMINUM I-BAR
GRATE 1 3/8" O.C. (19-SI 4)
(3X)



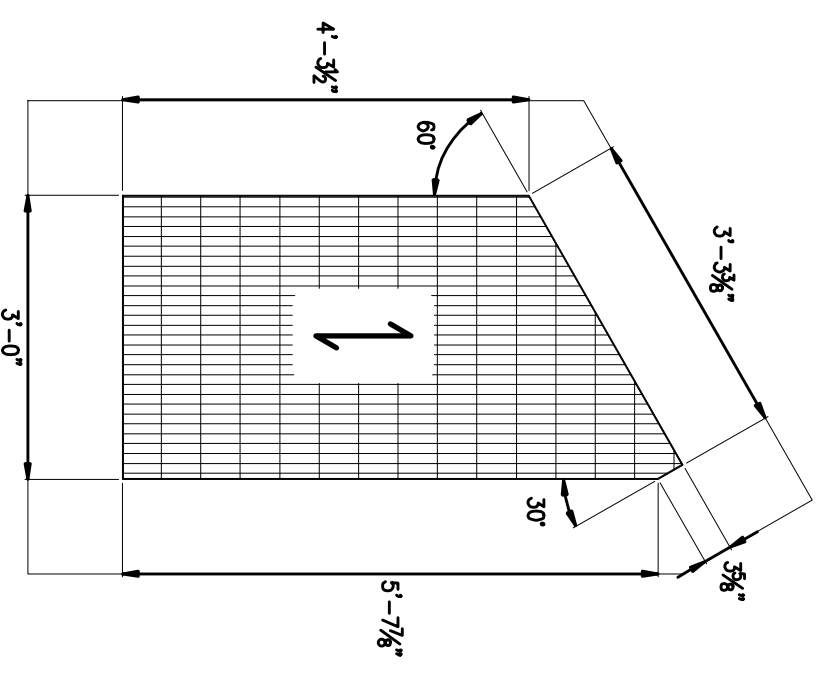
1 3/4" x 1/4" ALUMINUM I-BAR
GRATE 1 3/8" O.C. (19-SI 4)
(1X)



1 3/4" x 1/4" ALUMINUM I-BAR
GRATE 1 3/8" O.C. (19-SI 4)
(1X)



1 3/4" x 1/4" ALUMINUM I-BAR
GRATE 1 3/8" O.C. (19-SI 4)
(1X)



1 3/4" x 1/4" ALUMINUM I-BAR
GRATE 1 3/8" O.C. (19-SI 4)
(1X)

1 WYE Structure Grating Elevations

CONTRACTOR:
Weaver General Construction Co.
3679 S. Huron St. Suite 404
Englewood, CO 80110
Ph: (303)769-4111 / Fx: (303)769-4310

FABRICATOR:
Amadson Fabricators
14200 E. 140th Ave.
Englewood, Colorado 80151
Ph: (303)769-4310 / Fx: (303)769-4310

PROJECT: **HD Thompson Charge Order III**
TITLE: **WYE Structure Grating**

Revision:	DATE:	DWG BY:	CHK BY:
1. Changed Degrees on Grating per Engineer	03-22-12	CCA	EDO
2. -	-	-	-
3. -	-	-	-
4. -	-	-	-
5. -	-	-	-

SHEET NUMBER: **SD - 03**