



Weaver

CONSTRUCTION MANAGEMENT

3679 S Huron Street, Suite 404 Englewood, Colorado 80110

Phone: (303) 789-4111 FAX: (303) 789-4310

SUBMITTAL TRANSMITTAL

July 30, 2012

WCM Submittal No: 05500-017

PROJECT: **Harold Thompson Regional WRF**
Birdsall Rd.
Fountain, CO 80817
Job No. 2908

ENGINEER: **GMS, Inc.**
611 No. Weber St., #300
Colorado Springs, CO 80903
719-475-2935 Roger Sams

OWNER: **Lower Fountain Metropolitan
Sewage Disposal District**
901 S. Santa Fe Ave.
Fountain, CO 80817
719-382-5303 James Heckman

CONTRACTOR: **CSM Industries**
Box868/614 Cliff St.
Westcliffe, CO 81252
719-783-2867 Frank Oberlin

SUBJECT: UV Channel Level Control Weir

SPEC SECTION: 05500 Miscellaneous Metals

PREVIOUS SUBMISSION DATES: NA

DEVIATIONS FROM SPEC: ___ YES X NO

CONTRACTOR'S STAMP: This submittal has been reviewed by Weaver Construction Management and, unless indicated otherwise, has been found to be in conformance with the intent of the contract documents.

Contractor's Stamp:

Engineer's Stamp:

Date: 7/30/12

Reviewed by: John Jacob

(X) Reviewed Without Comments

() Reviewed With Comments

ENGINEER'S
COMMENTS: _____



Project: HDTWRF Project

Location: Fountain, CO

Supplier: CSM Industries

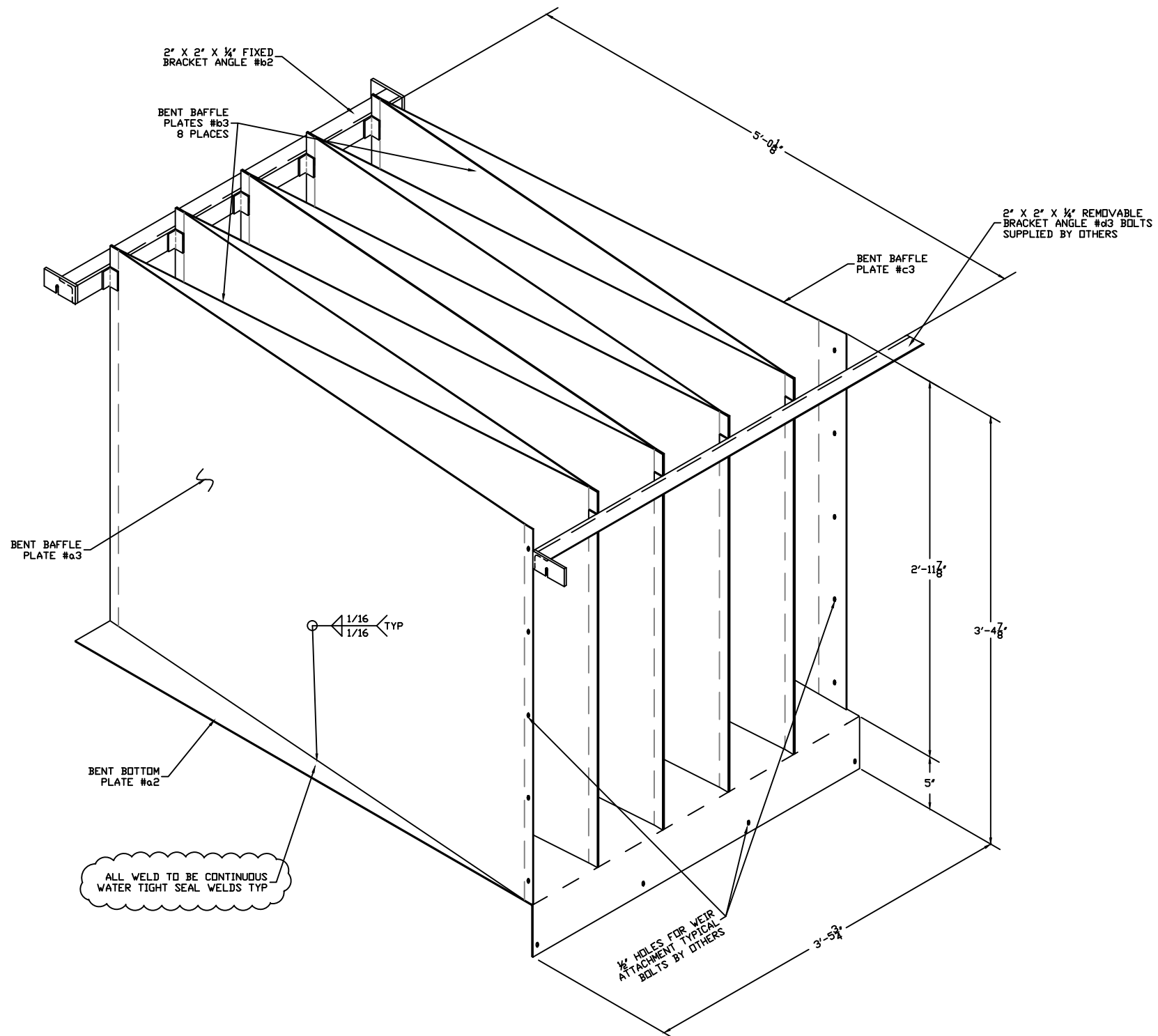
Date: 7/30/12

Submittal 05500-017 UV Channel Level Control Weir

Additional Submittal Review Comments:

- 1. Submitting the UV Channel Level Control Weir from CSM utilizing the basis of design for the Level Control Weir provided by Ozonia, refer to the attached drawings labeled Ozonia 1 through 3.**

End or Review.



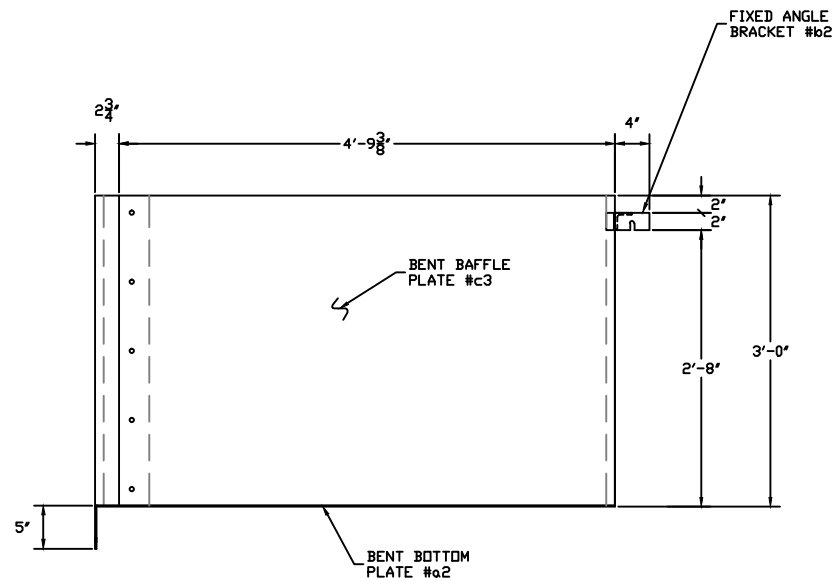
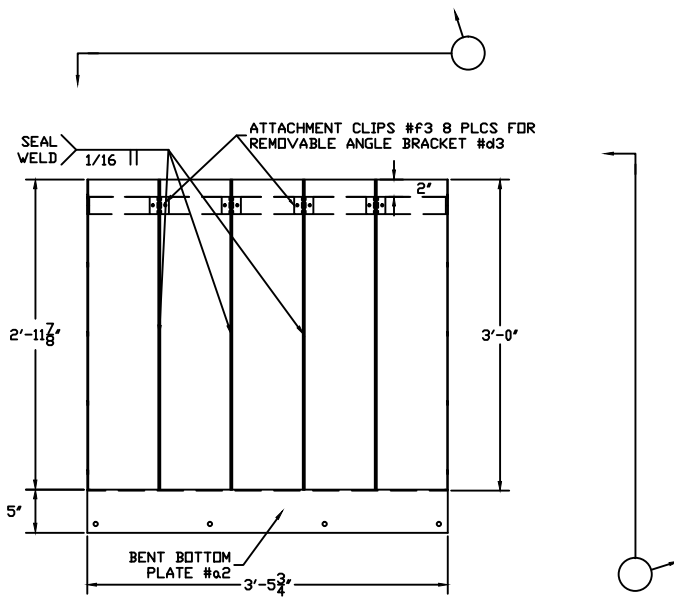
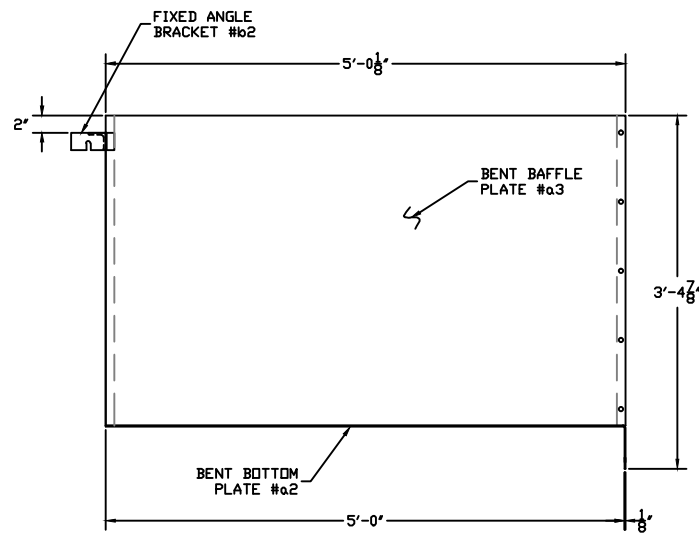
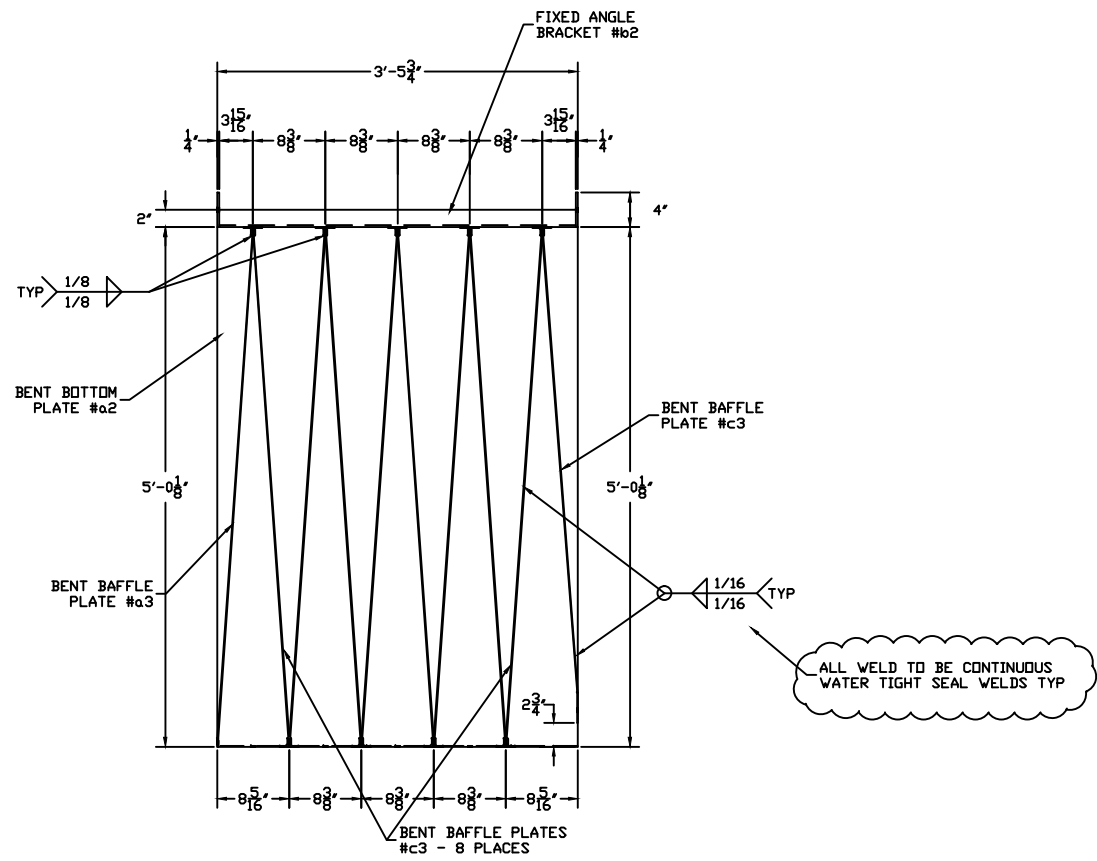
ALL WELD TO BE CONTINUOUS WATER TIGHT SEAL WELDS TYP

1 - LEVEL CONTROL WEIR ISOMETRIC VIEW MK# 1A
 REF - OZONIA SHTS# 1, 2, 3,

SHOP NOTE:
 ALL MATERIAL ON THIS SHEET
 304L STAINLESS STEEL

SUBMITTAL # DATE 7/18/12		WELD SPEC. AS SHOWN		DRAWN BY PDH		JOB NUMBER	
REVISION # DATE		BOLT SPEC. AS SHOWN		CHECKED BY		SHEET NUMBER	
		PAINT AS SHOWN		PAINT PREP		E1	
		HOLES AS SHOWN		DATE			

CSM INDUSTRIAL CONSTRUCTORS	
614 CLIFF STREET (719) 783-2887	
WESTCLIFFE, COLORADO 81252	
JOB	HAROLD D. THOMPSON REGIONAL WRF FOUNTAIN COLORADO
CUSTOMER	WEAVER GENERAL CONSTRUCTION Co.
ARCHITECT/ENGINEER	OZONIA NORTH AMERICAN
BUILDING/AREA	LEVEL CONTROL WEIR

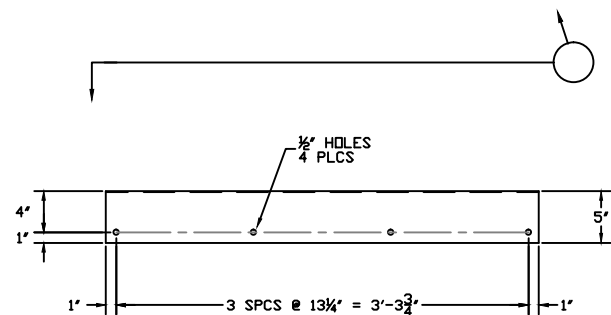
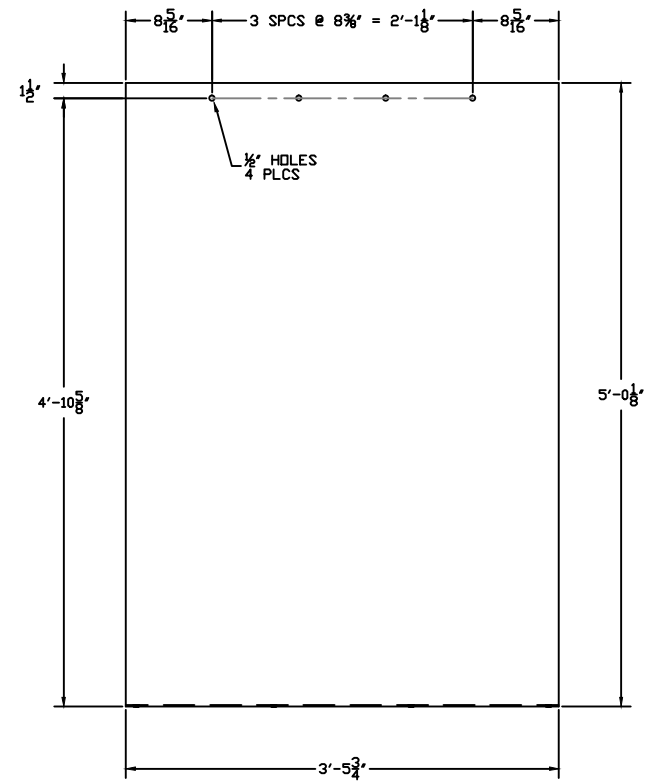


1 - LEVEL CONTROL WEIR MK# 1A
 REF- SHT# 1, 2, 3, E1

CSM INDUSTRIAL CONSTRUCTORS			
614 CLIFF STREET (719) 783-2887			
WESTCLIFFE, COLORADO 81252			
JOB		HAROLD D. THOMPSON REGIONAL WRF FOUNTAIN COLORADO	
CUSTOMER		WEAVER GENERAL CONSTRUCTION Co.	
ARCHITECT/ENGINEER		OZONIA NORTH AMERICAN	
BUILDING/AREA		LEVEL CONTROL WEIR	

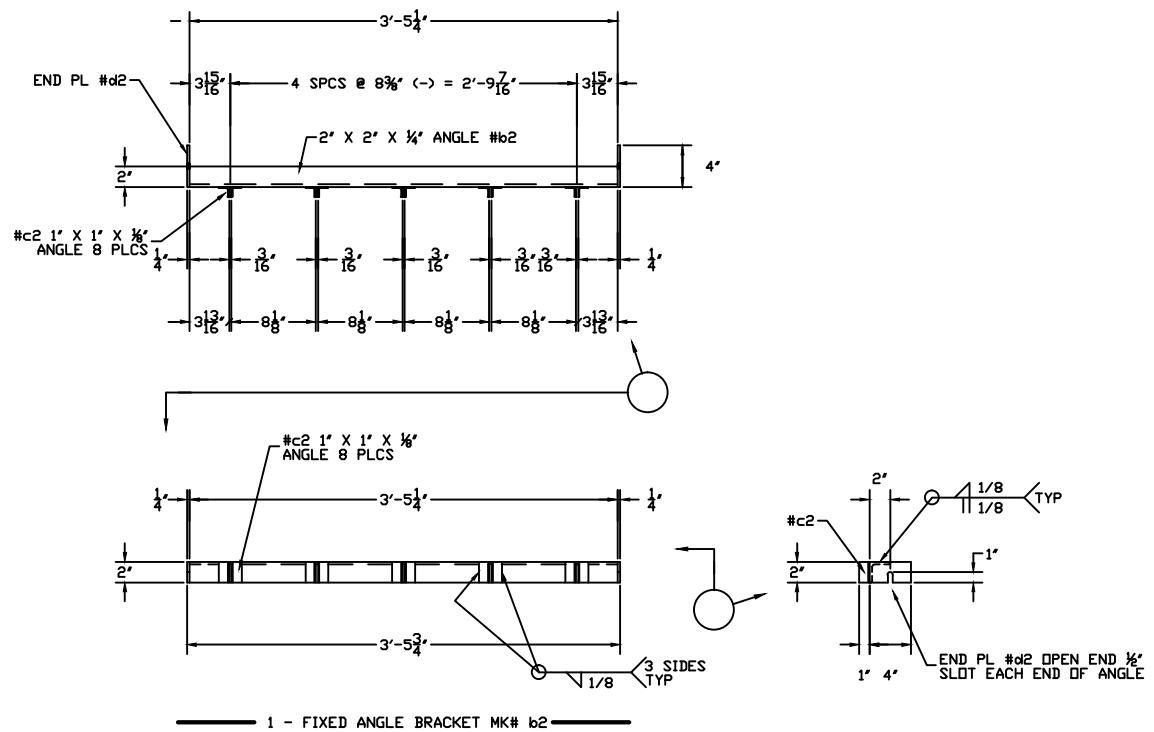
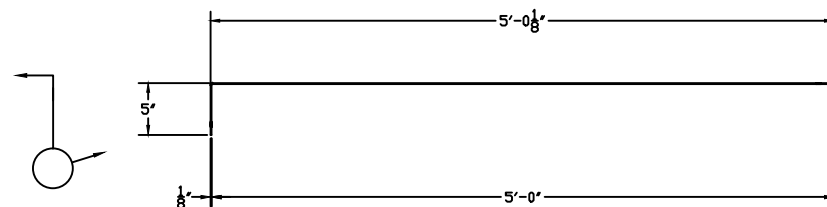
SHOP NOTE:
 ALL MATERIAL ON THIS SHEET
 304L STAINLESS STEEL

SUBMITTAL # DATE	WELD SPEC.	DRAWN BY	JOB NUMBER
7/18/12	AS SHOWN	PDH	
REVISION # DATE	BOLT SPEC.	CHECKED BY	SHEET NUMBER
	AS SHOWN		1
	PAINT	PAINT PREP	
	AS SHOWN	DATE	
	HOLES		
	AS SHOWN		



1 - BENT 12 GAUGE BOTTOM PLATE MK# a2

REF- SHT# 2 OF 3, E1



1 - FIXED ANGLE BRACKET MK# b2

REF- SHT# 1 OF 3 (1), E1, E2

MARK NUMBER	NUMBER OF PCS.	SHAPE	LENGTH		NOTES
			FEET	INCHES	
1A	1	LEVEL CONTROL WEIR			
a2	1	12 GAUGE PLATE X 41 3/4'	5'	4 15/16'	304L STAINLESS STEEL
b2	1	ANGLE 2' X 2' X 1/4'	3'	5 1/4'	304L STAINLESS STEEL
c2	8	ANGLE 1' X 1' X 1/8'	0'	2'	304L STAINLESS STEEL
d2	2	PLATE 2' X 1/4'	0'	4'	304L STAINLESS STEEL
BOLTS					

CSM INDUSTRIAL CONSTRUCTORS

614 CLIFF STREET (719) 783-2887

WESTCLIFFE, COLORADO 81252

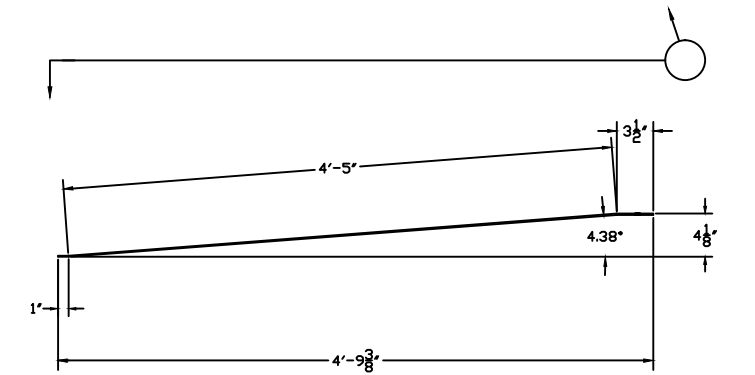
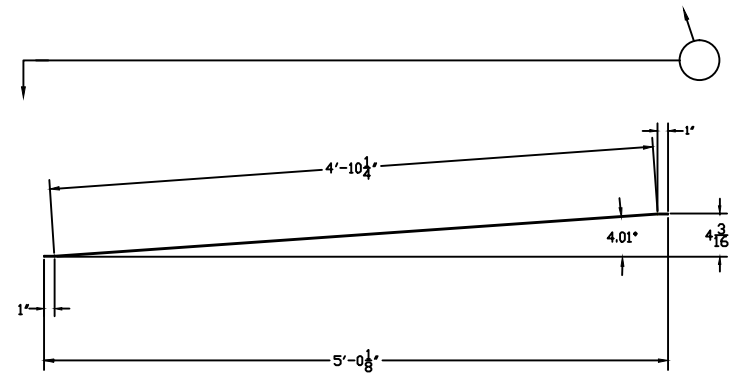
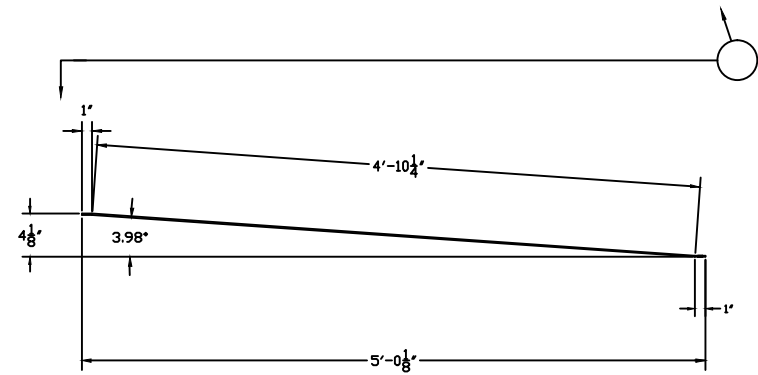
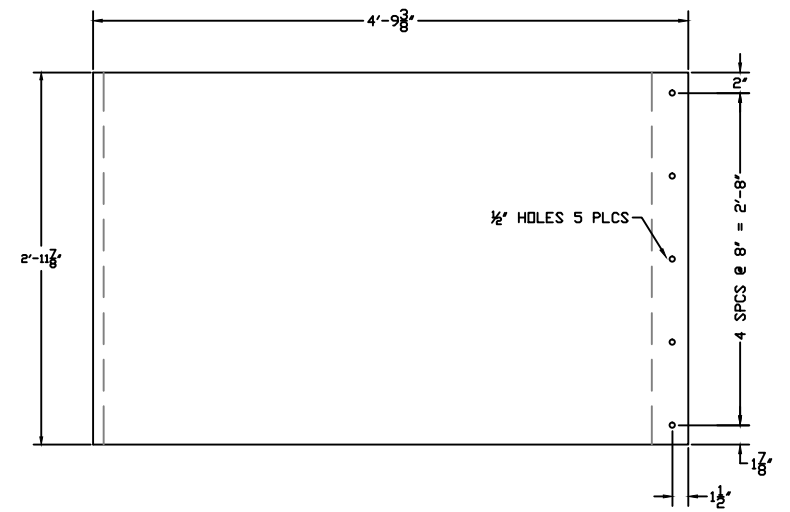
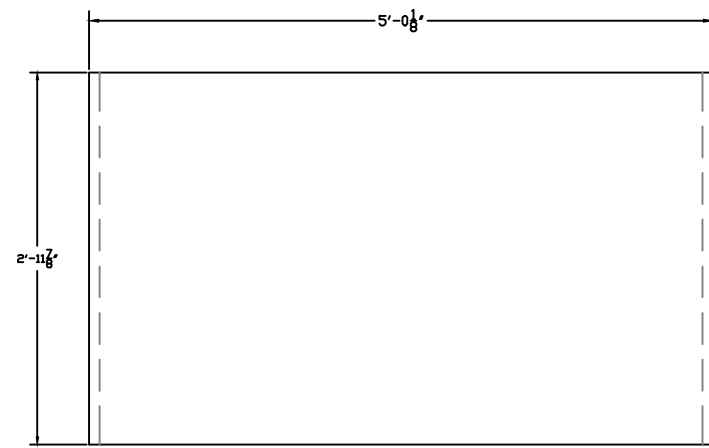
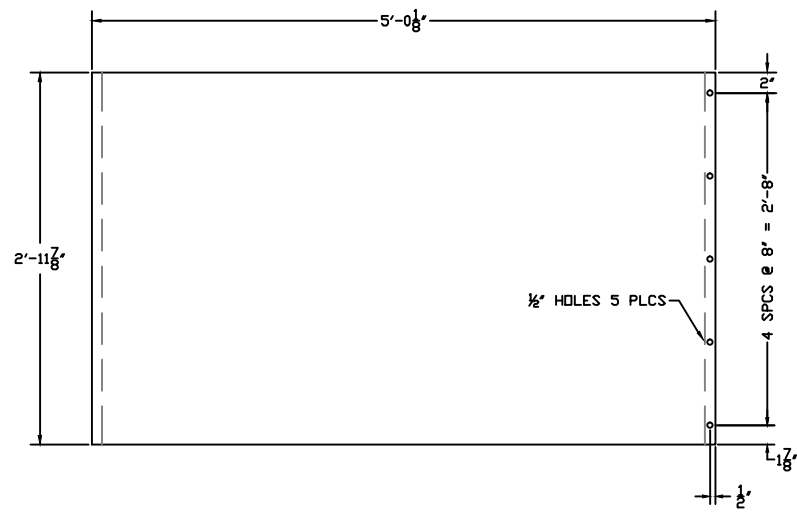
JOB HAROLD D. THOMPSON REGIONAL WRF
FOUNTAIN COLORADO

CUSTOMER WEAVER GENERAL CONSTRUCTION Co.

ARCHITECT/ENGINEER OZONIA NORTH AMERICAN

BUILDING/AREA LEVEL CONTROL WEIR

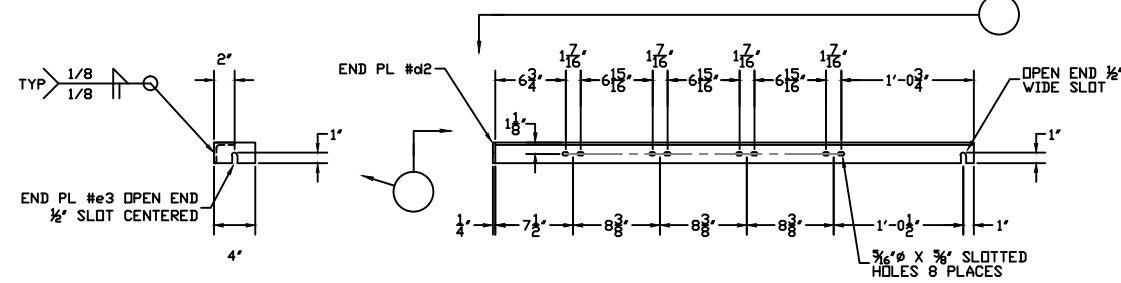
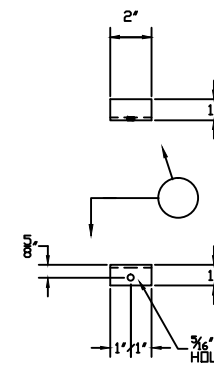
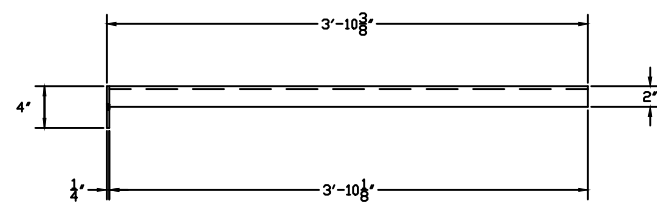
SUBMITTAL # DATE 5/21/12	WELD SPEC. AS SHOWN	DRAWN BY PDH	JOB NUMBER
REVISION # DATE	BOLT SPEC. AS SHOWN	CHECKED BY	
	PAINT AS SHOWN	PAINT PREP	SHEET NUMBER
	HOLES AS SHOWN	DATE	2



1 - BENT 12 GAUGE BAFFLE PLATES MK# a3
REF- SHT# 2 DF 3, E1

8 - BENT 12 GAUGE BAFFLE PLATES MK# b3
REF- SHT# 2 DF 3, E1

1 - BENT 12 GAUGE BAFFLE PLATES MK# c3
REF- SHT# 2 DF 3, E1



8 - ATTACHMENT ANGLE CLIPS MK# f3
REF- SHT# 1 DF 3 (1.3), E1

1 - REMOVABLE ANGLE BRACKET MK# d3
REF- SHT# 1 DF 3 (1.2), E1

MARK NUMBER	NUMBER OF PCS.	SHAPE	LENGTH		NOTES
			FEET	INCHES	
1A	1	LEVEL CONTROL WEIR			
a3	1	12 GAUGE PLATE X 35 3/4'	5'	0 1/8"	304L STAINLESS STEEL
b3	8	12 GAUGE PLATE X 35 3/4'	5'	0 1/8"	304L STAINLESS STEEL
c3	1	12 GAUGE PLATE X 35 3/4'	4'	9 1/2"	304L STAINLESS STEEL
d3	1	ANGLE 2" X 2" X 1/4"	3'	10 1/8"	304L STAINLESS STEEL
e3	1	PLATE 2" X 1/4"	0'	4"	304L STAINLESS STEEL
f3	8	ANGLE 1" X 1" X 1/8"	0'	2"	304L STAINLESS STEEL
BOLTS					

CSM INDUSTRIAL CONSTRUCTORS
 614 CLIFF STREET (719) 783-2887
 WESTCLIFFE, COLORADO 81252

JOB: HAROLD D. THOMPSON REGIONAL WRF FOUNTAIN COLORADO

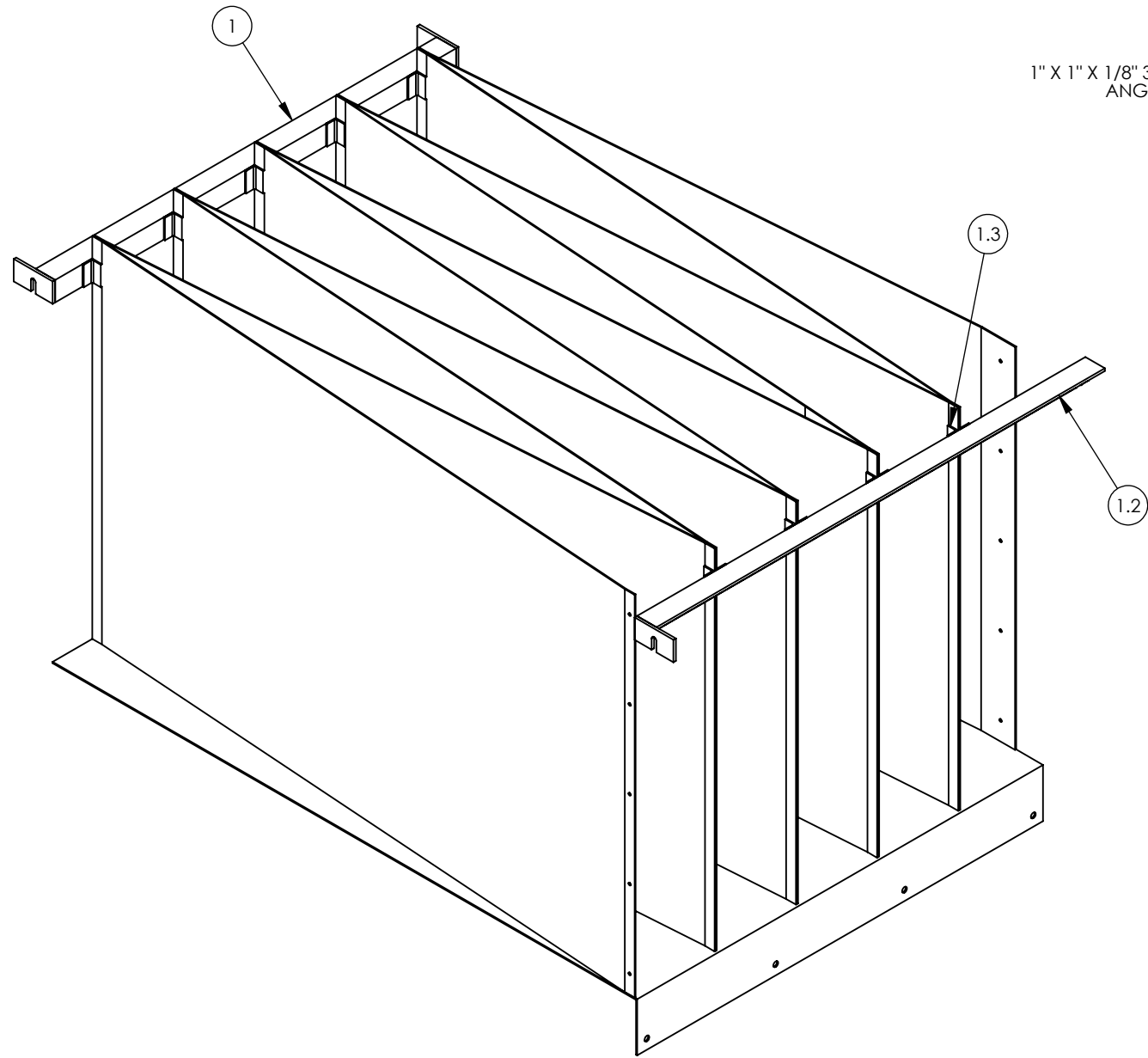
CUSTOMER: WEAVER GENERAL CONSTRUCTION Co.

ARCHITECT/ENGINEER: OZONIA NORTH AMERICAN

BUILDING/AREA: LEVEL CONTROL WEIR

SUBMITTAL # DATE 7/17/12	WELD SPEC. AS SHOWN	DRAWN BY PDH	JOB NUMBER
	BOLT SPEC. AS SHOWN	CHECKED BY	
REVISION # DATE	PAINT AS SHOWN	PAINT PREP	SHEET NUMBER 3
	HOLES AS SHOWN	DATE	

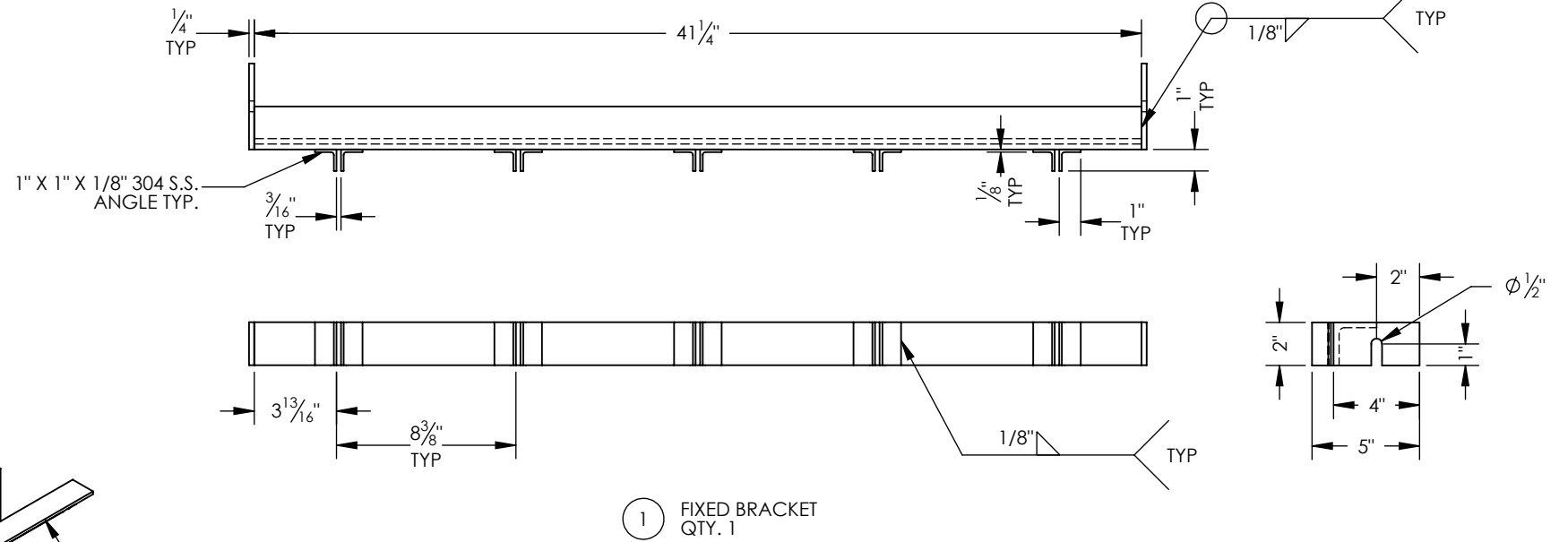
THE DRAWING CONTAINS INFORMATION PROPRIETARY TO OZONIA NORTH AMERICA. IT IS GRANTED
 IN LICENSE AND NOT BE LOANED, COPIED, REPRODUCED, OR TRANSMITTED IN ANY FORM OR BY ANY
 MEANS, ELECTRONIC OR MECHANICAL, INCLUDING PHOTOCOPYING, RECORDING, OR BY ANY INFORMATION
 RETURNED UPON REQUEST. THIS DRAWING AND SUCH INFORMATION IS NOT TO BE REPRODUCED,
 TRANSMITTED, DISCLOSED OR USED, OTHERWISE IN WHOLE OR IN PART WITHOUT THE WRITTEN
 AUTHORIZATION OF OZONIA NORTH AMERICA.



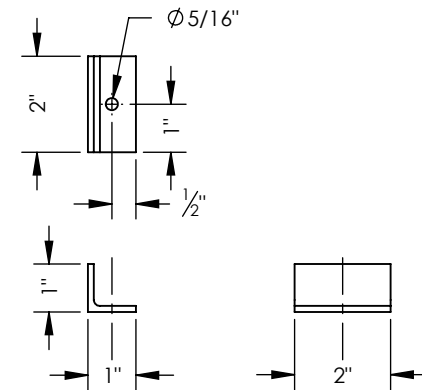
WEIR ASSEMBLY ISOMETRIC VIEW

NOTES:

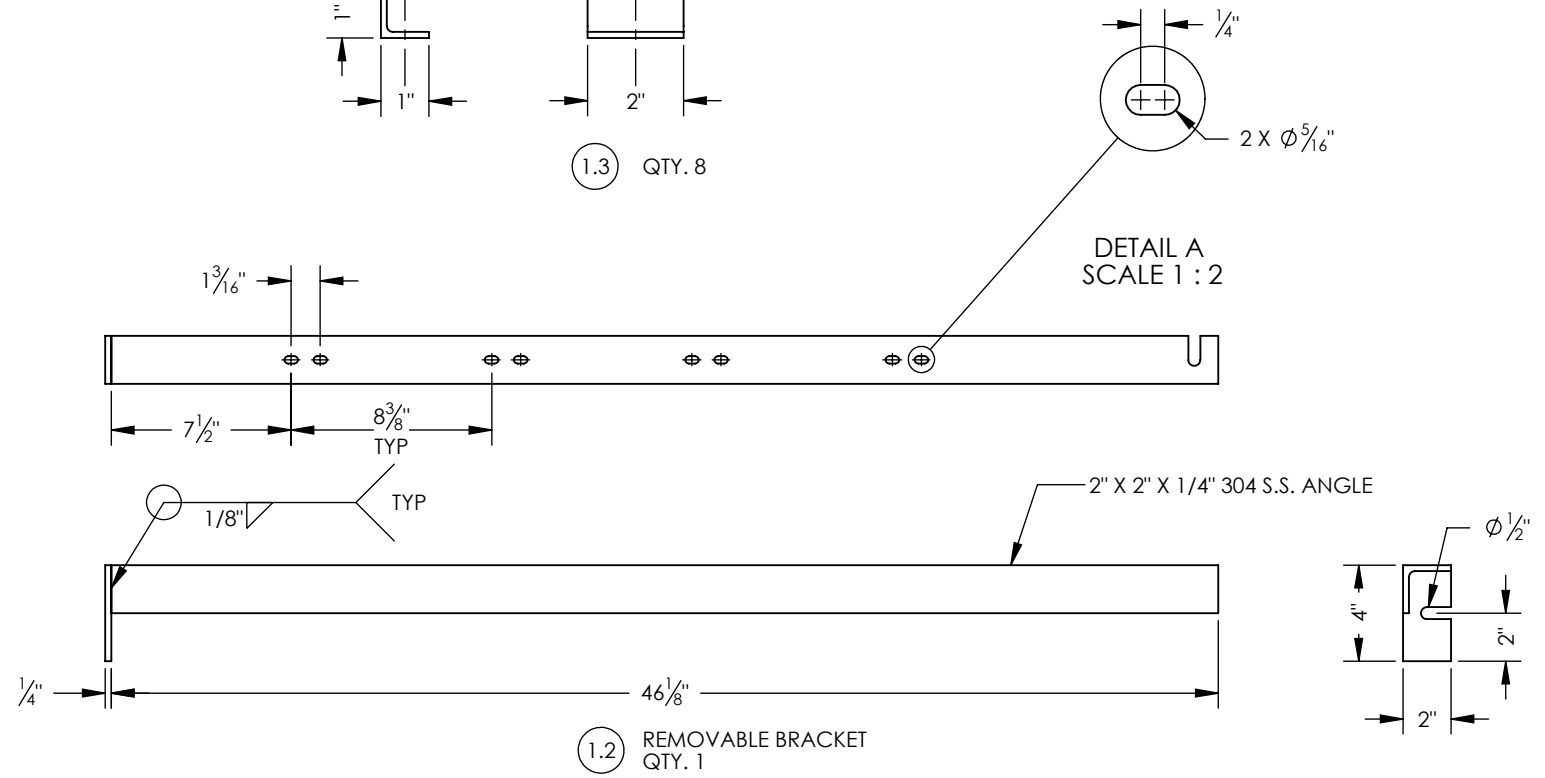
1. WEIR TROUGH TO BE MADE IN 304L S.S.
2. FIELD CAULKING REQ'D ON ALL SEAMS AFTER ASSEMBLY FOR WATERTIGHT CONSTRUCTION.



1 FIXED BRACKET
QTY. 1



1.3 QTY. 8

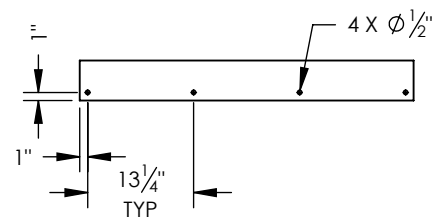
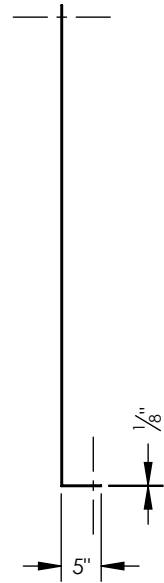
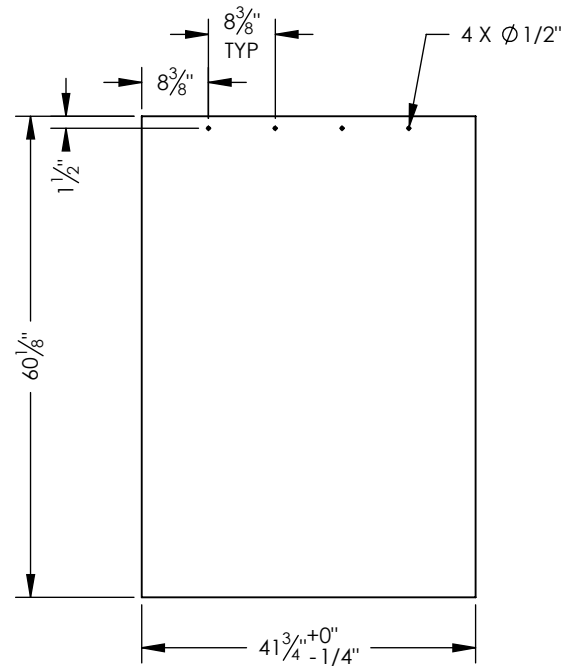


1.2 REMOVABLE BRACKET
QTY. 1

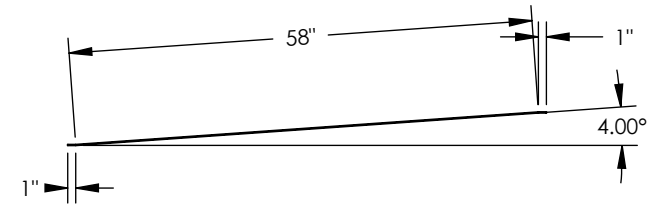
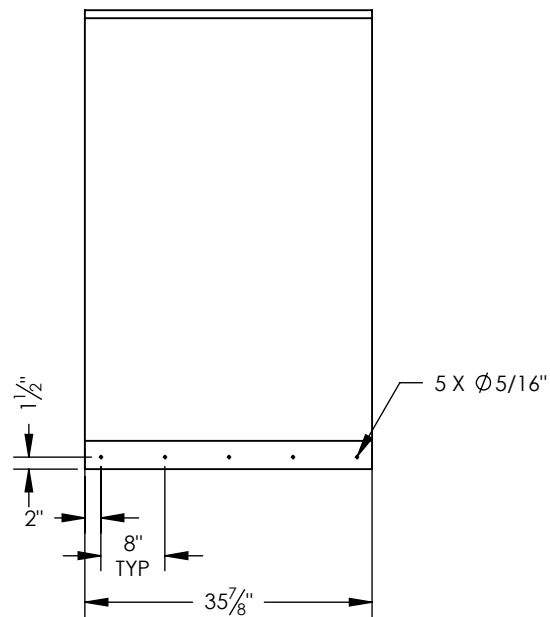
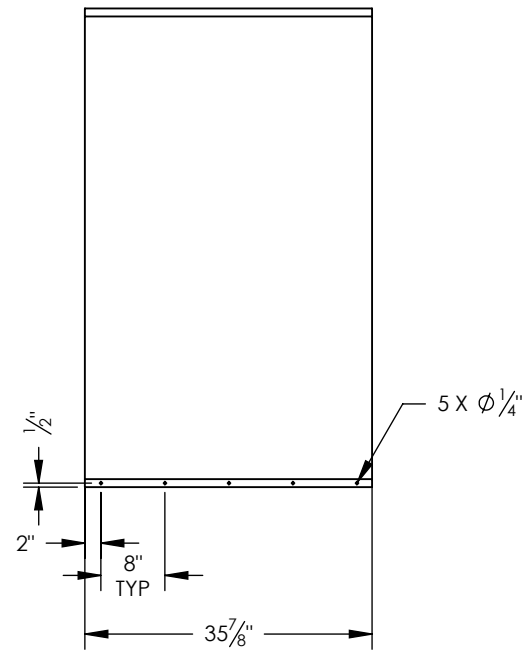
DETAIL A
SCALE 1 : 2

					SCALE: NTS	TITLE:		 OZONIA NORTH AMERICA 600 WILLOW TREE ROAD LEONIA, NEW JERSEY 07605	SHT.: 1 OF 3
					DRAWN: 12/06/11 LC	LEVEL CONTROL WEIR AQUARAY 40 HO VLS DISINFECTION SYSTEM HAROLD D. THOMPSON REGIONAL WRF - FOUNTAIN, CO.			REV.: A
A	CHANGED PER CUSTOMER COMMENTS	HD	LC	4/4/12	CHECKED: 12/06/11 LC	SIZE: B	DWG. NO.: 18253-11-0601		
REV.	DESCRIPTION	DRAWN	APPD.	DATE	APPROVED:				

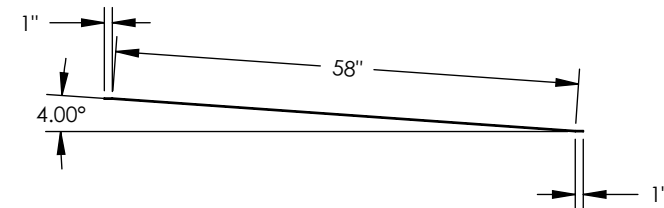
THE DRAWING COMPANY INFORMATION PROPERTY TO OZONIA NORTH AMERICA, P.C. IS HEREBY
 INCORPORATED AND TO BE USED SOLELY FOR THE PURPOSE FOR WHICH IT IS SUBMITTED AND
 RETURNED UPON REQUEST. THIS DRAWING AND SUCH INFORMATION IS NOT TO BE REPRODUCED,
 TRANSMITTED, DISCLOSED OR USED OTHERWISE IN WHOLE OR IN PART WITHOUT THE WRITTEN
 AUTHORIZATION OF OZONIA NORTH AMERICA.



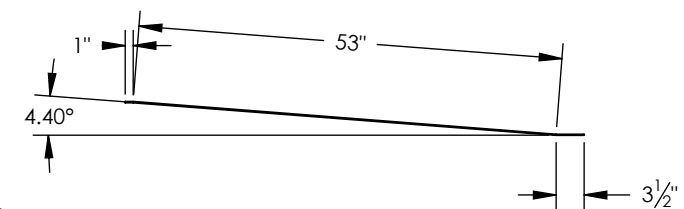
BOTTOM PLATE



2 QTY. 5
 (1 WITH HOLES
 4 WITH NO HOLES)



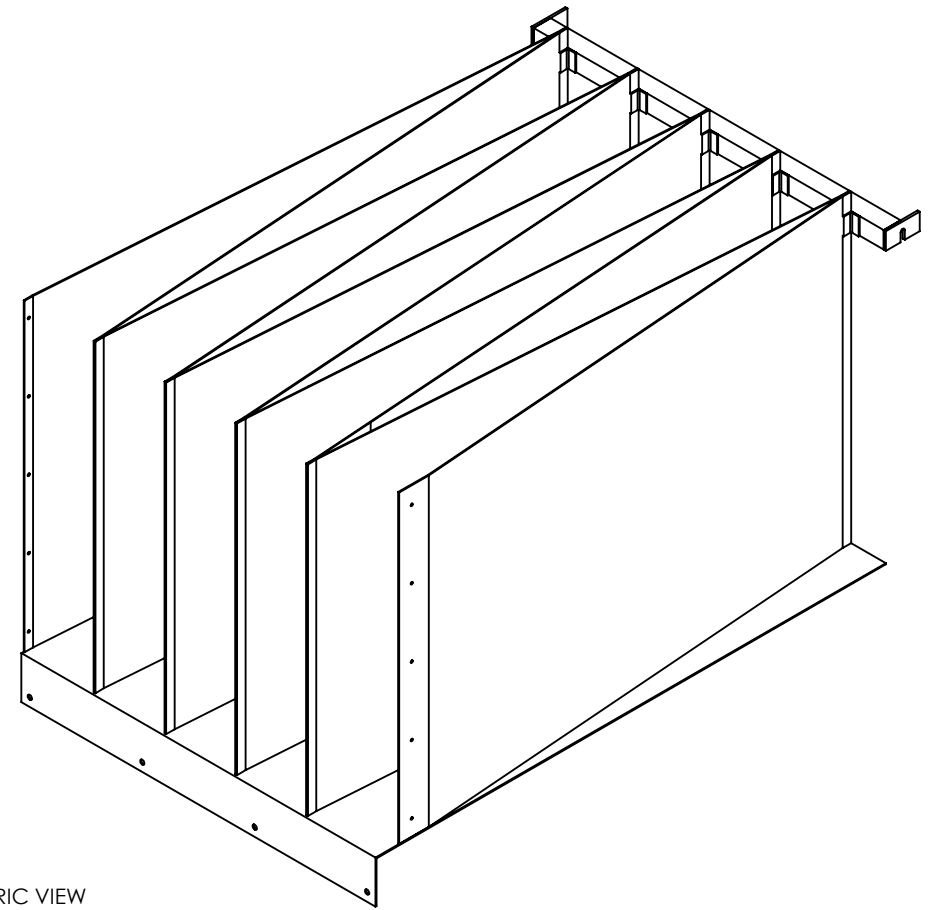
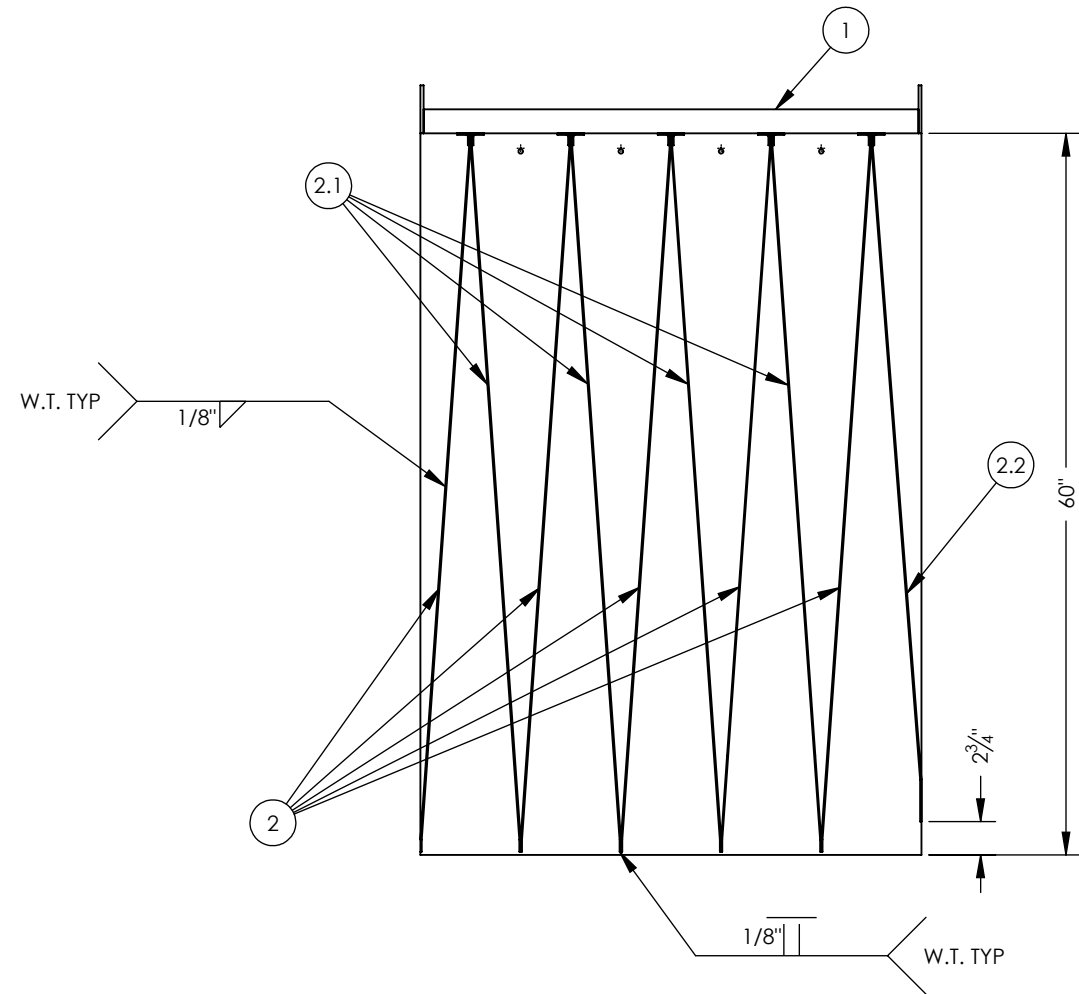
2.1 QTY. 4
 (WITH NO HOLES)



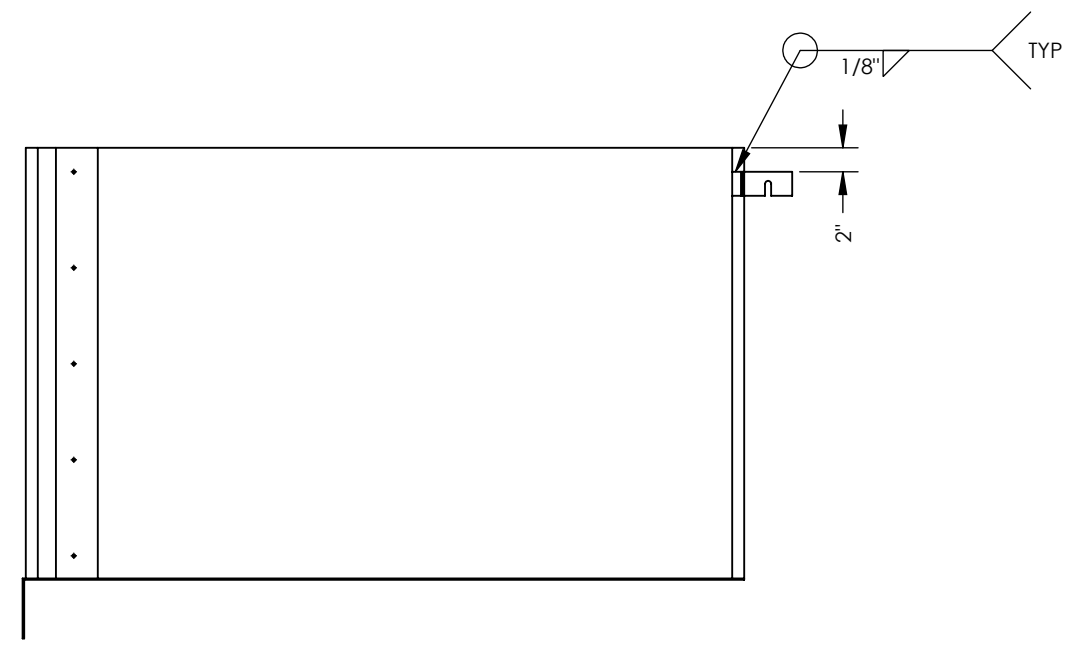
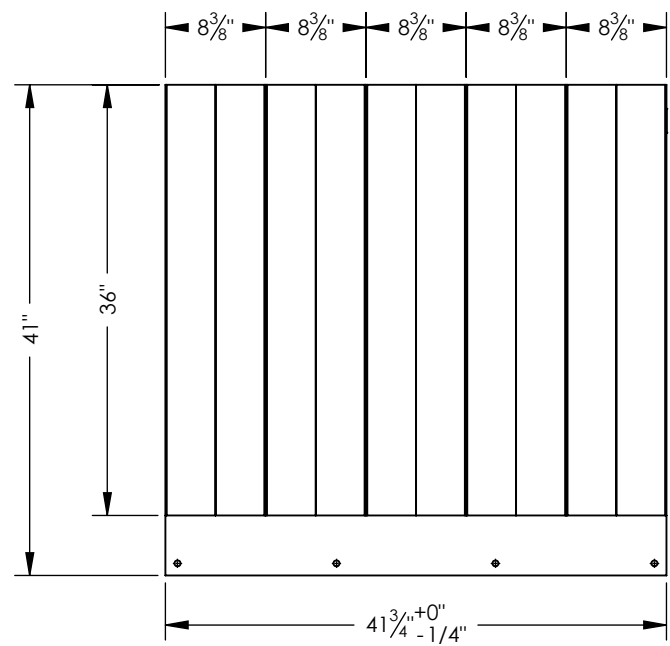
2.2 QTY. 1

				SCALE: NTS	TITLE: LEVEL CONTROL WEIR		 OZONIA NORTH AMERICA 600 WILLOW TREE ROAD LEONIA, NEW JERSEY 07605	SHT.: 2 OF 3
				DRAWN: 12/06/11 LC	AQUARAY 40 HO VLS DISINFECTION SYSTEM			REV.: A
A	CHANGED PER CUSTOMER COMMENTS	HD	LC	4/4/12	CHECKED: 12/06/11 LC	HAROLD D. THOMPSON REGIONAL WRF - FOUNTAIN, CO.		SIZE: B
REV.	DESCRIPTION	DRAWN	APPD.	DATE	APPROVED:	DWG. NO.: 18253-11-0601		

THE DRAWING CONTAINS INFORMATION PROPRIETARY TO OZONIA NORTH AMERICA. IT IS GRANTED IN LICENSE AND IS TO BE USED ONLY FOR THE PROJECT FOR WHICH IT IS ISSUED AND RETURNED UPON REQUEST. THIS DRAWING AND SUCH INFORMATION IS NOT TO BE REPRODUCED, TRANSMITTED, DISCLOSED OR USED OTHERWISE IN WHOLE OR IN PART WITHOUT THE WRITTEN AUTHORIZATION OF OZONIA NORTH AMERICA.



ISOMETRIC VIEW



				SCALE: NTS	TITLE: LEVEL CONTROL WEIR			OZONIA NORTH AMERICA 600 WILLOW TREE ROAD LEONIA, NEW JERSEY 07605	SHT.: 3 OF 3
A	CHANGED PER CUSTOMER COMMENTS	HD	LC	4/4/12	CHECKED: 12/06/11 LC	AQUARAY 40 HO VLS DISINFECTION SYSTEM HAROLD D. THOMPSON REGIONAL WRF - FOUNTAIN, CO.			REV.: A
REV.	DESCRIPTION	DRAWN	APPD.	DATE	APPROVED:	SIZE: B	DWG. NO.: 18253-11-0601		