



**WEAVER CONSTRUCTION MANAGEMENT, INC.**

3679 S. Huron St., Suite 404

Englewood, CO 80110

Phone: (303) 789-4111 FAX: (303) 789-4310

**SUBMITTAL TRANSMITTAL**

September 16, 2011

**WGC Submittal No: 06602-001**

PROJECT: **Harold Thompson Regional WRF**  
Birdsall Rd.  
Fountain, CO 80817  
Job No. 2908

ENGINEER: **GMS, Inc.**  
611 No. Weber St., #300  
Colorado Springs, CO 80903  
719-475-2935 Roger Sams

OWNER: **Lower Fountain Metropolitan  
Sewage Disposal District**  
901 S. Santa Fe Ave.  
Fountain, CO 80817  
719-382-5303 James Heckman

CONTRACTOR: **Plasti-Fab**  
[JQueen@goblesampson.com](mailto:JQueen@goblesampson.com) - Local Rep

SUBJECT: One (1) FRP Flume for Headworks Building

SPEC SECTION: 06600 - FRP Fabrications

PREVIOUS SUBMISSION DATES:

DEVIATIONS FROM SPEC: \_\_\_ YES X NO

CONTRACTOR'S STAMP: This submittal has been reviewed by Weaver General Construction and approved with respect to the means, methods, techniques, & safety precautions & programs incidental thereto. Weaver General Construction also warrants that this submittal complies with contracted documents and comprises on deviations thereto:

Contractor's Stamp:

Engineer's Stamp:

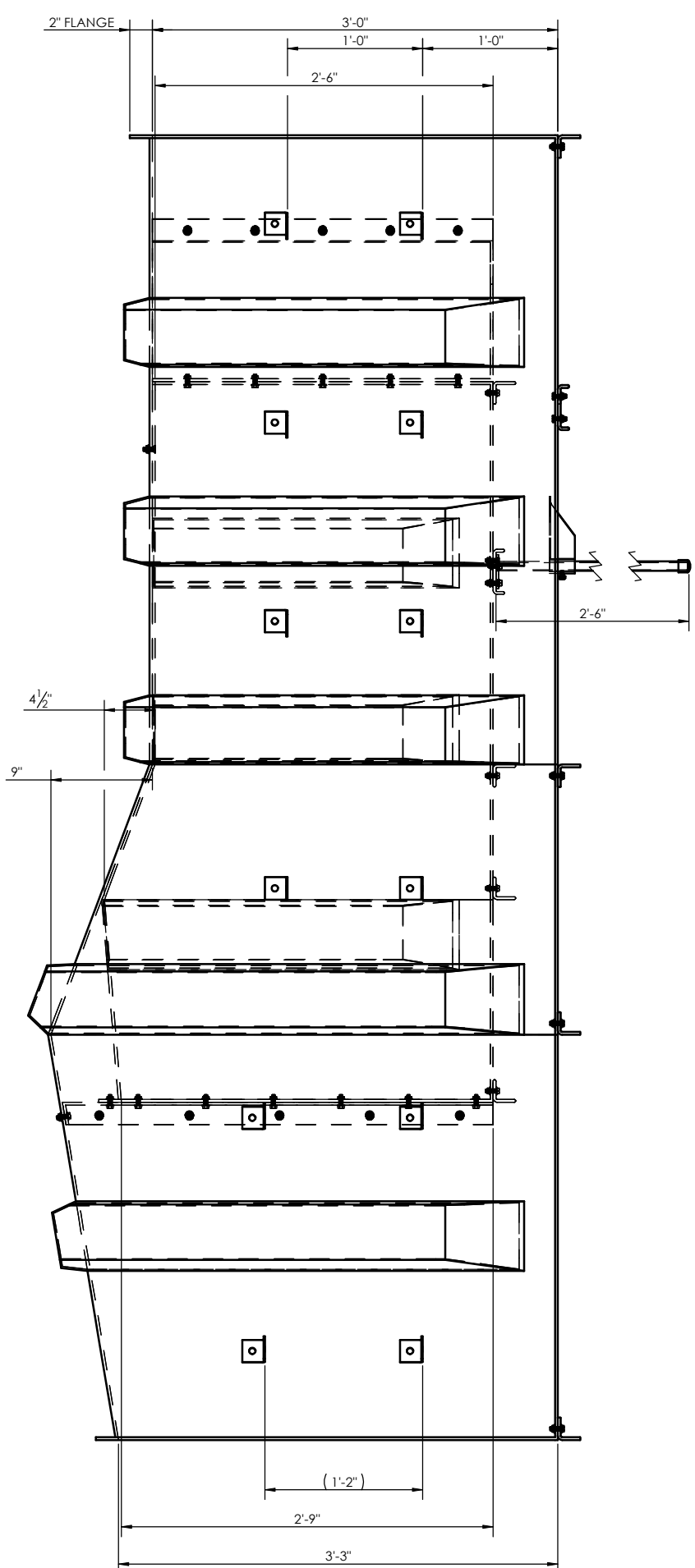
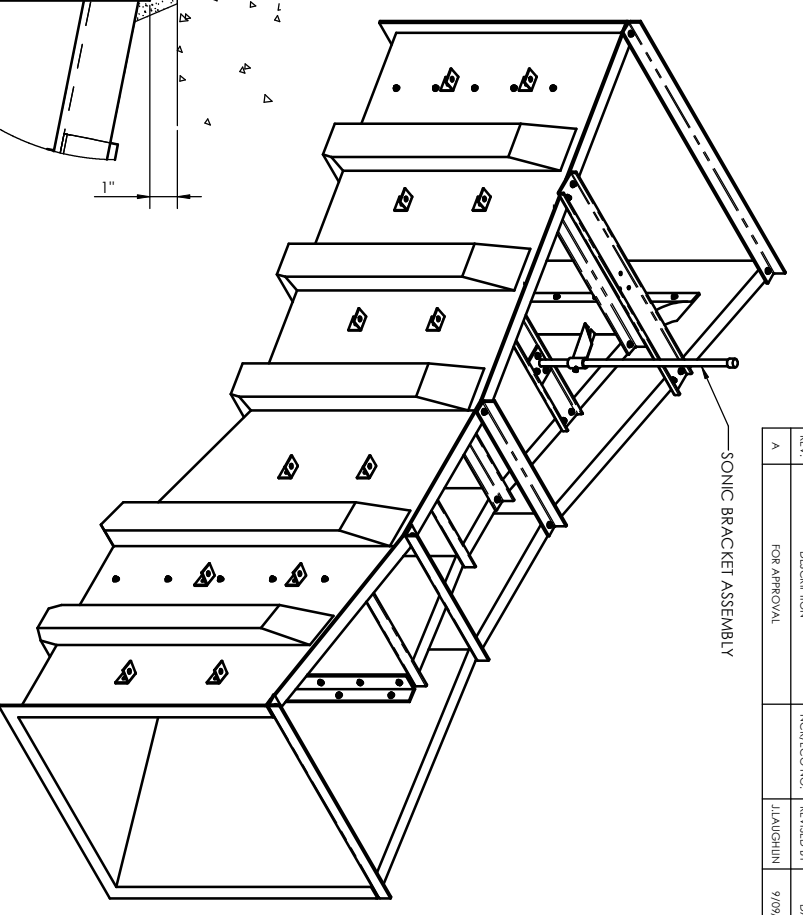
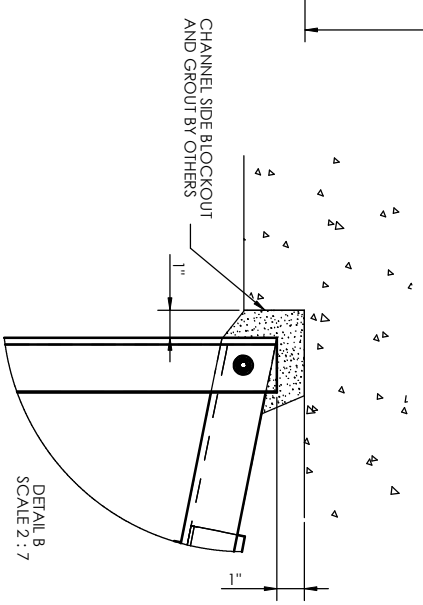
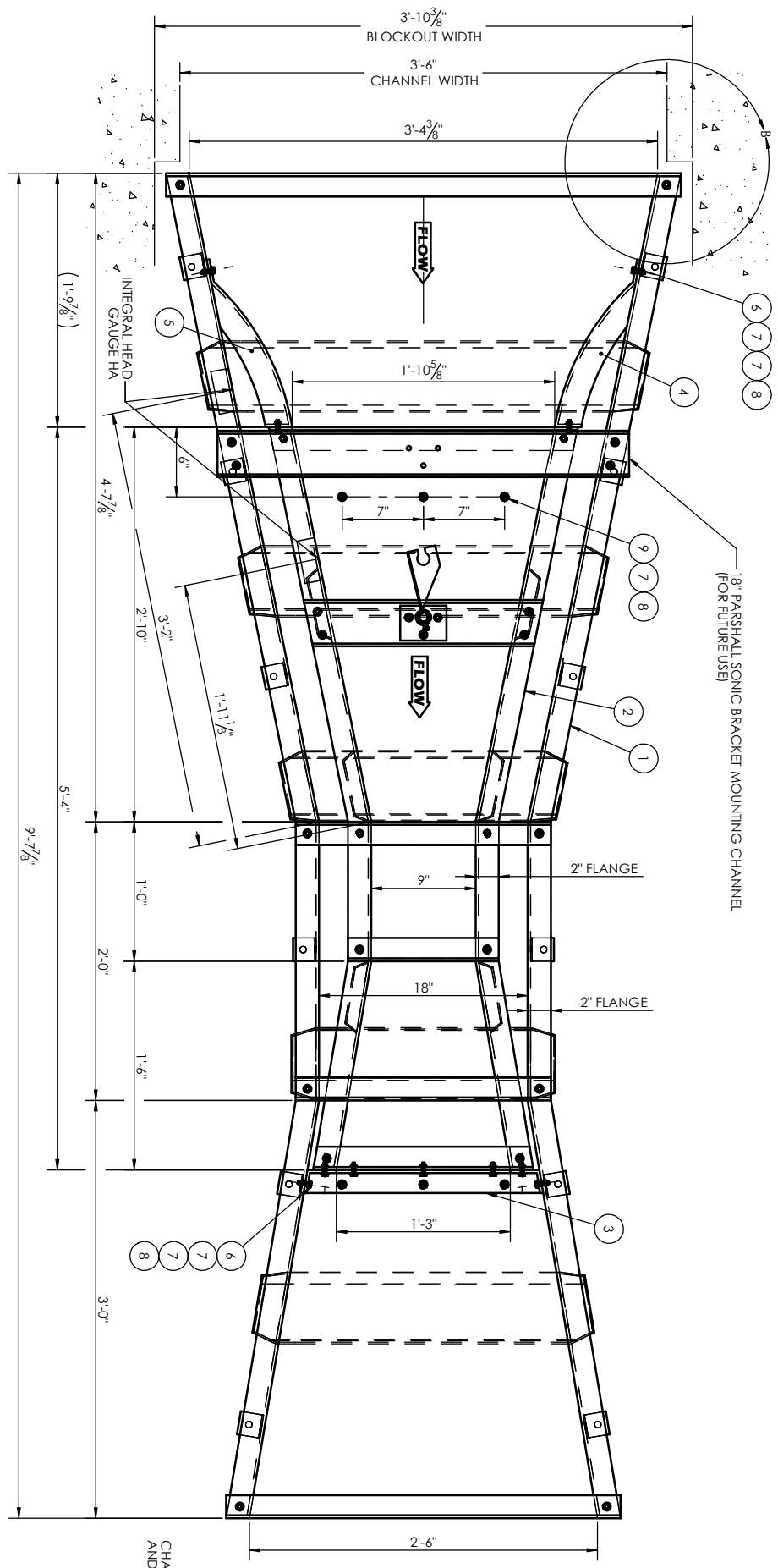
Date: 9/16/11

Reviewed by: H.C. Myers

( X ) Reviewed Without Comments

( ) Reviewed With Comments

ENGINEER'S  
COMMENTS:



REV.	DESCRIPTION	NG/REC'D NO.	REVISED BY	DATE
A	FOR APPROVAL		JLAUGHIN	9/09/2011

BOM TABLE

ITEM NO.	QTY.	DESCRIPTION	MATERIAL
1	1	18" PARSHALL FLUME	FRP (HLU, POLYESTER)
2	1	9" PARSHALL FLUME SET-UP TO NEST INTO 18" PARSHALL FLUME	FRP (HLU, POLYESTER)
3	1	OUTLET BULKHEAD, 9" PARSHALL FLUME NESTED IN 18" PARSHALL FLUME	FRP (HLU, POLYESTER)
4	1	INLET WING WALL, RIGHT SIDE, 18" PARSHALL FLUME X 2'-6" 1/4" LG	FRP (HLU, POLYESTER)
5	1	INLET WING WALL, LEFT SIDE, 18" PARSHALL FLUME X 2'-6" 1/4" LG	FRP (HLU, POLYESTER)
6	50	HHCS, 5/16-18UNC X 1"	T-316 S/S
7	103	FLAT WASHER, 5/16	T-316 S/S
8	53	HEX NUT, 5/16-18UNC	T-316 S/S
9	3	FLAT HEAD SOCKET CAP SCREW, 5/16-18UNC X 1"	T-316 S/S

**PROJECT:** HAROLD D THOMPSON WATER REDEMPTION, COLORADO, USA  
**CUSTOMER:** WEAVER CONSTRUCTION  
**REP:** GOBLE ESAMPSON  
**P.O. NO.:** 9103-6610  
**PROPRIETARY AND CONFIDENTIAL:** THE INFORMATION CONTAINED IN THIS DRAWING IS THE SOLE PROPERTY OF PLASTI-FAB. ANY REPRODUCTION IN PART OR PERMANENT FLASHING IS PROHIBITED.

**PLASTI-FAB**  
 TULALAIN, OR  
 MATERIAL INFORMATION:  
 SPECIAL FINISH REQUIREMENT:  
 NAME: JLAUGHIN  
 DATE: 9/9/2011  
 DRAWN BY: JLAUGHIN  
 CHECKED BY: JLAUGHIN  
 WEIGHT: 352.68  
 SCALE: 1/8"  
 SHEET: 1 OF 1

**TITLE:** 9" PARSHALL FLUME NESTED IN 18" PARSHALL FLUME QUANTITY (1) ONLY

**SIZE:** 111426-1A-01  
**DRAWING NO.:** 111426-1A-01  
**REV.:** A

- NOTES:**
1. THE MINIMUM THICKNESS IS 1/4" FRP (FIBERGLASS REINFORCED PLASTIC).
  2. THE INSIDE SURFACE IS SMOOTH WHITE GEL COAT.
  3. MINIMUM GLASS CONTENT IS 30% EXCLUSIVE OF RESIN RICH SURFACES.
  4. THE HEAD GAUGE (100THS OF A FOOT & CENTIMETERS) IS MOLDED INTO THE SIDE OF THE FLUME.
  5. RESIN: CCP STYPOL C1-1200-22