



WEAVER CONSTRUCTION MANAGEMENT, INC.
 3679 S. Huron St., Suite 404
 Englewood, CO 80110
 Phone: (303) 789-4111 FAX: (303) 789-4310

SUBMITTAL TRANSMITTAL

January 11, 2012
Submittal No: 07501-001.B

PROJECT: **Harold Thompson Regional WRF**
 Birdsall Rd.
 Fountain, CO 80817
 Job No. 2908

ENGINEER: **GMS, Inc.**
 611 No. Weber St., #300
 Colorado Springs, CO 80903
 719-475-2935 Roger Sams

OWNER: **Lower Fountain Metropolitan
 Sewage Disposal District**
 901 S. Santa Fe Ave.
 Fountain, CO 80817
 719-382-5303 James Heckman

CONTRACTOR: **Craft Corp**
 16290 Pine Valley Road
 Pine Grove, CO 80470
 303-229-0483

SUBJECT: Resubmittal - Headworks building wall panels, soffit, fascia, gutters, downspout details and colors.

SPEC SECTION: 07501 Metal Roof and Wall Panels

PREVIOUS SUBMISSION DATES: 10/27/11

DEVIATIONS FROM SPEC: ___ YES X NO

CONTRACTOR'S STAMP: This submittal has been reviewed by Weaver General Construction and approved with respect to the means, methods, techniques, & safety precautions & programs incidental thereto. Weaver General Construction also warrants that this submittal complies with contracted documents and comprises on deviations thereto:

| | |
|---|---------------------------------|
| <p>Contractor's Stamp:</p> <p>Date: 1/11/12 Reviewed by: H.C. Myers <input checked="" type="checkbox"/> Reviewed Without Comments <input type="checkbox"/> Reviewed With Comments</p> <p>ENGINEER'S COMMENTS:</p> | <p>Engineer's Stamp:</p> |
|---|---------------------------------|



Project: HDTWRF Project

Location: Fountain, CO

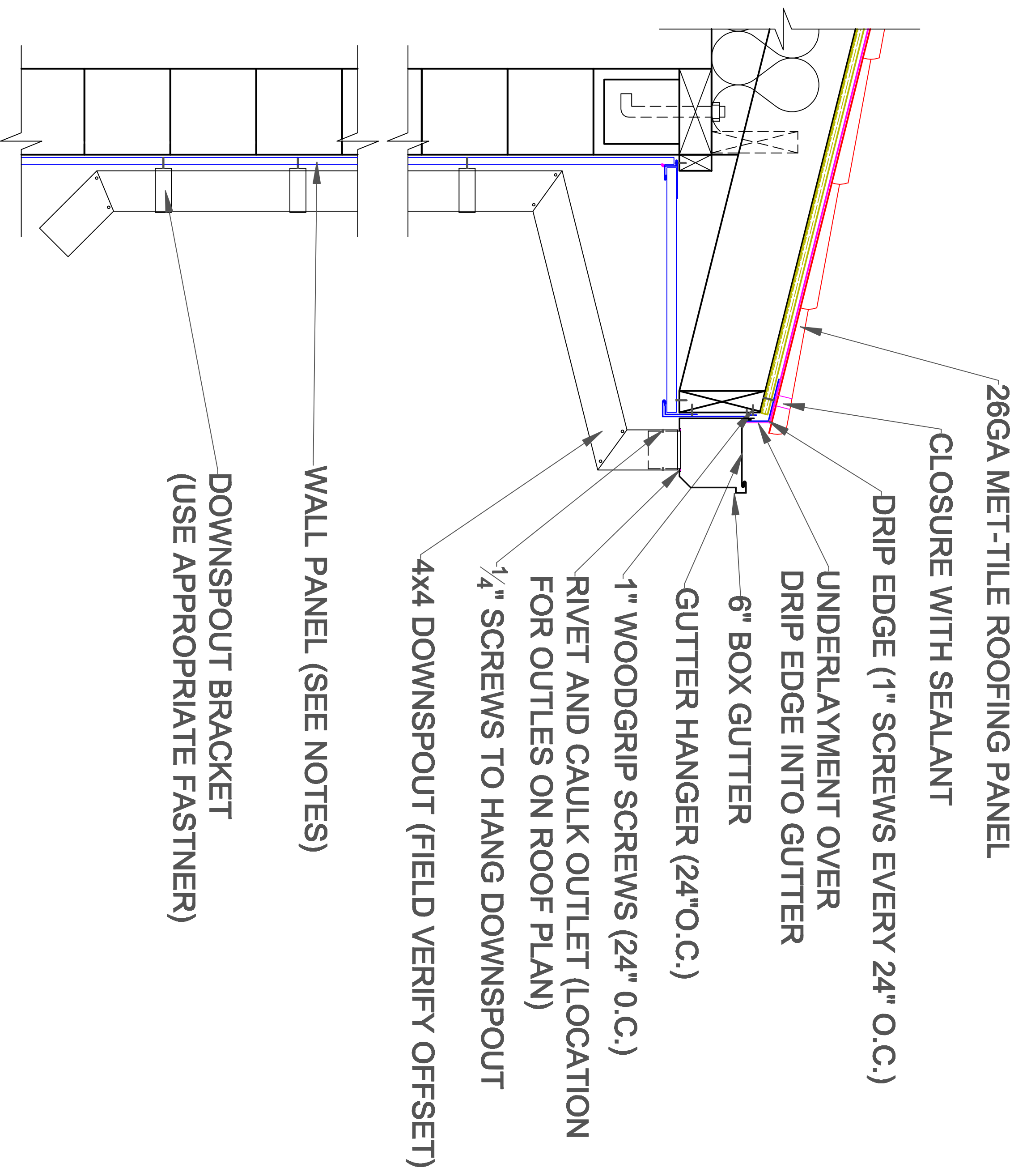
Supplier: Craft Corp

Date: 1/11/12

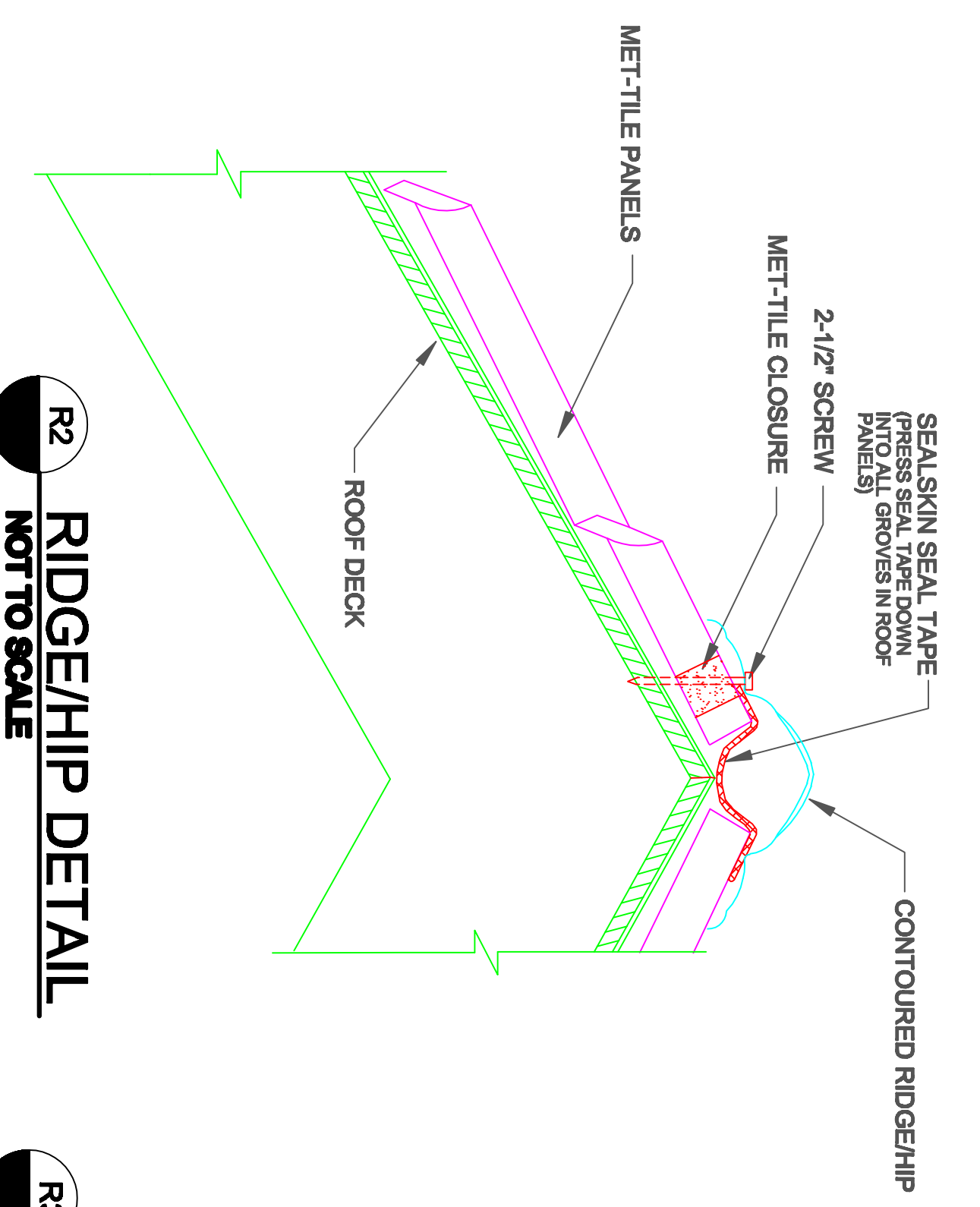
Submittal 07501-1.B Headworks building wall panels, soffit, fascia, gutters, downspout details and colors.

Additional Submittal Review Comments:

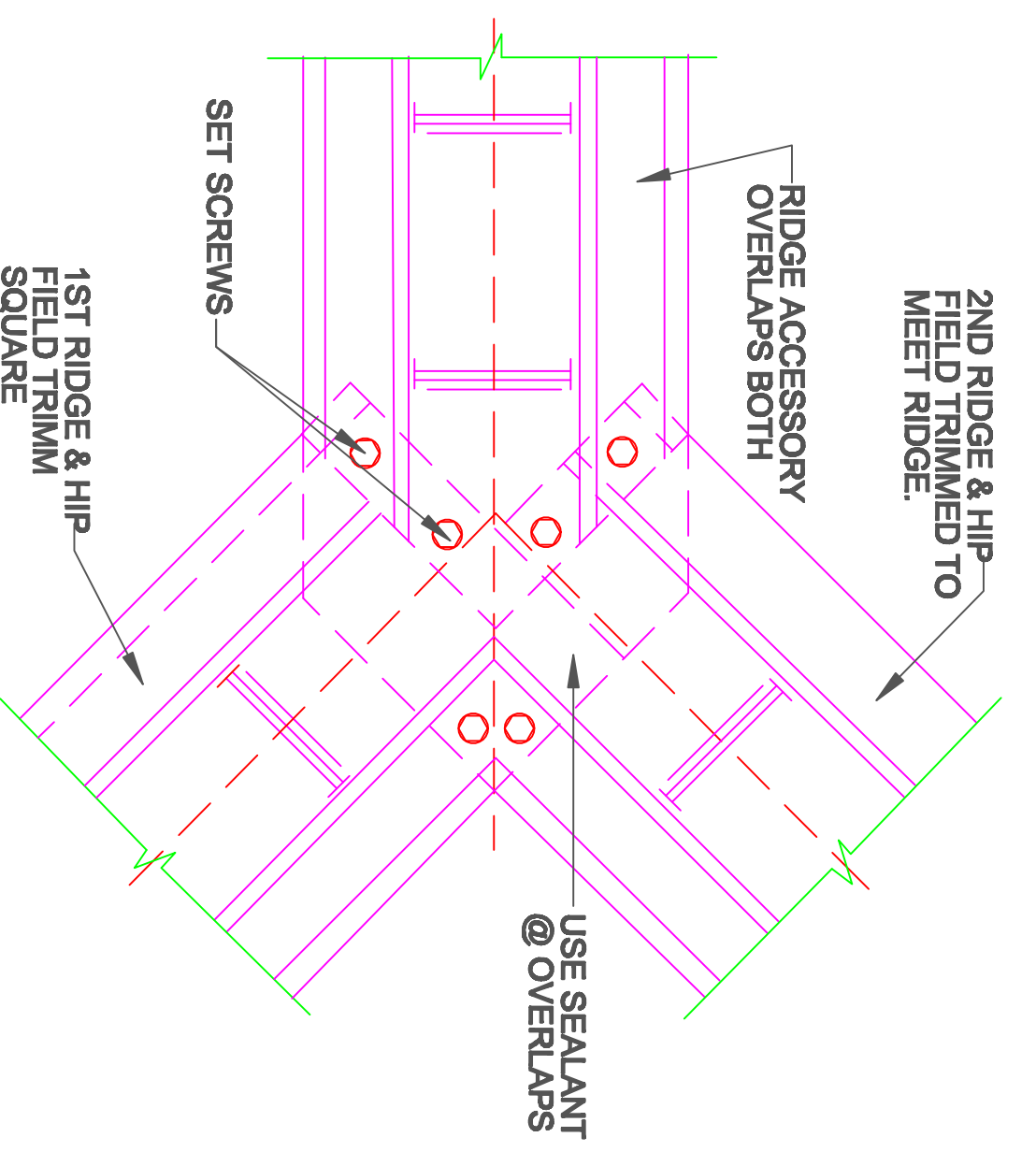
- 1. Gutter and downspout details. Color selection via Metal Sales Roof and Wall Colors chart.**
- 2. Custom panels 20 ga stucco embossed wall panel product data and sample. It is our understanding the Owner has already selected color Pueblo for the main wall and Adobe for the accent strip from the Custom Panel Standard Colors. Wall panel layout drawings and shop submittal will be provided once color selection is confirmed and masonry as-built conditions are confirmed.**
- 3. Soffit, fascia, roof and eave details. The Metal Sales Roof and Wall Colors chart is being provided for soffit and fascia color selection**
- 4. Met Tile roof system has been previously approved with color as Morocco Red. Our sub is providing additional Met Tile details.**
- 5. Color chart and sample to be delivered to GMS.**



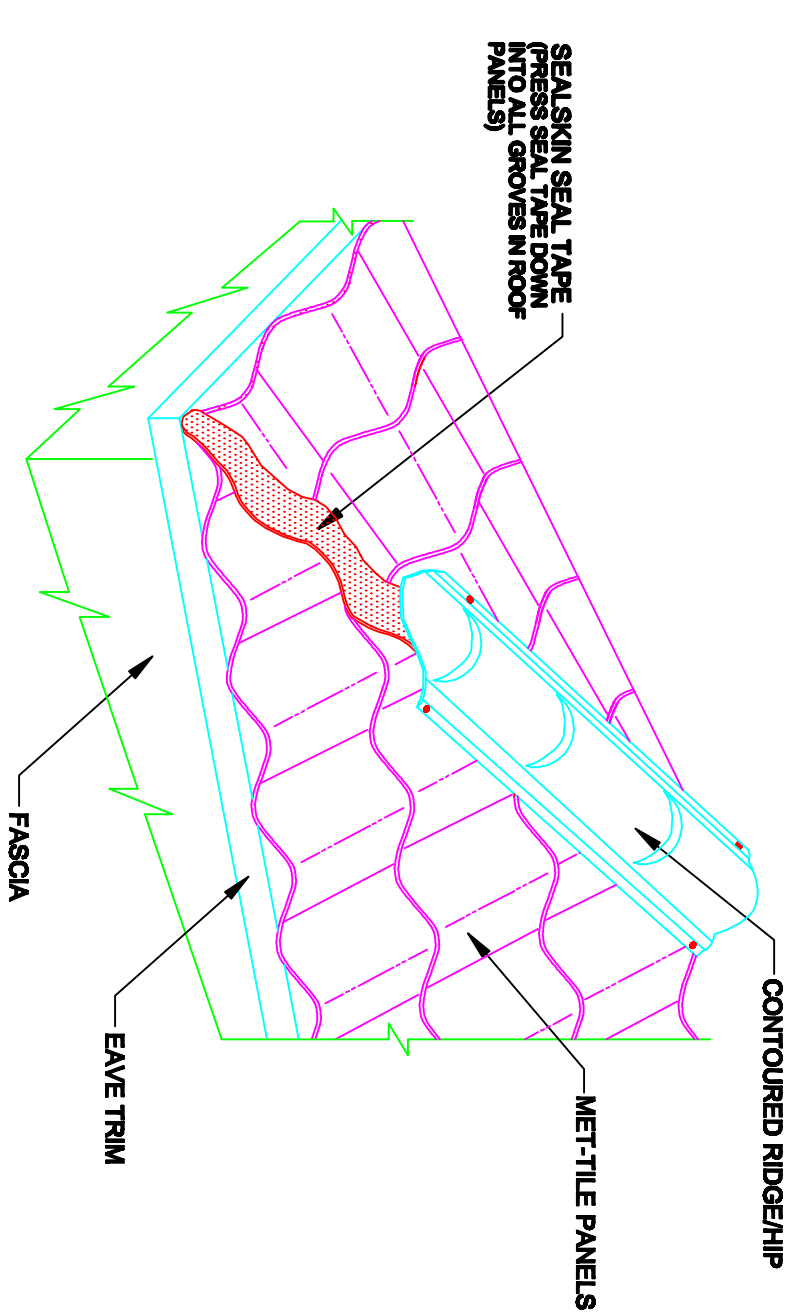
R1
EAVE WITH GUTTER DETAIL
 SCALE: 1/2" = 1'0"



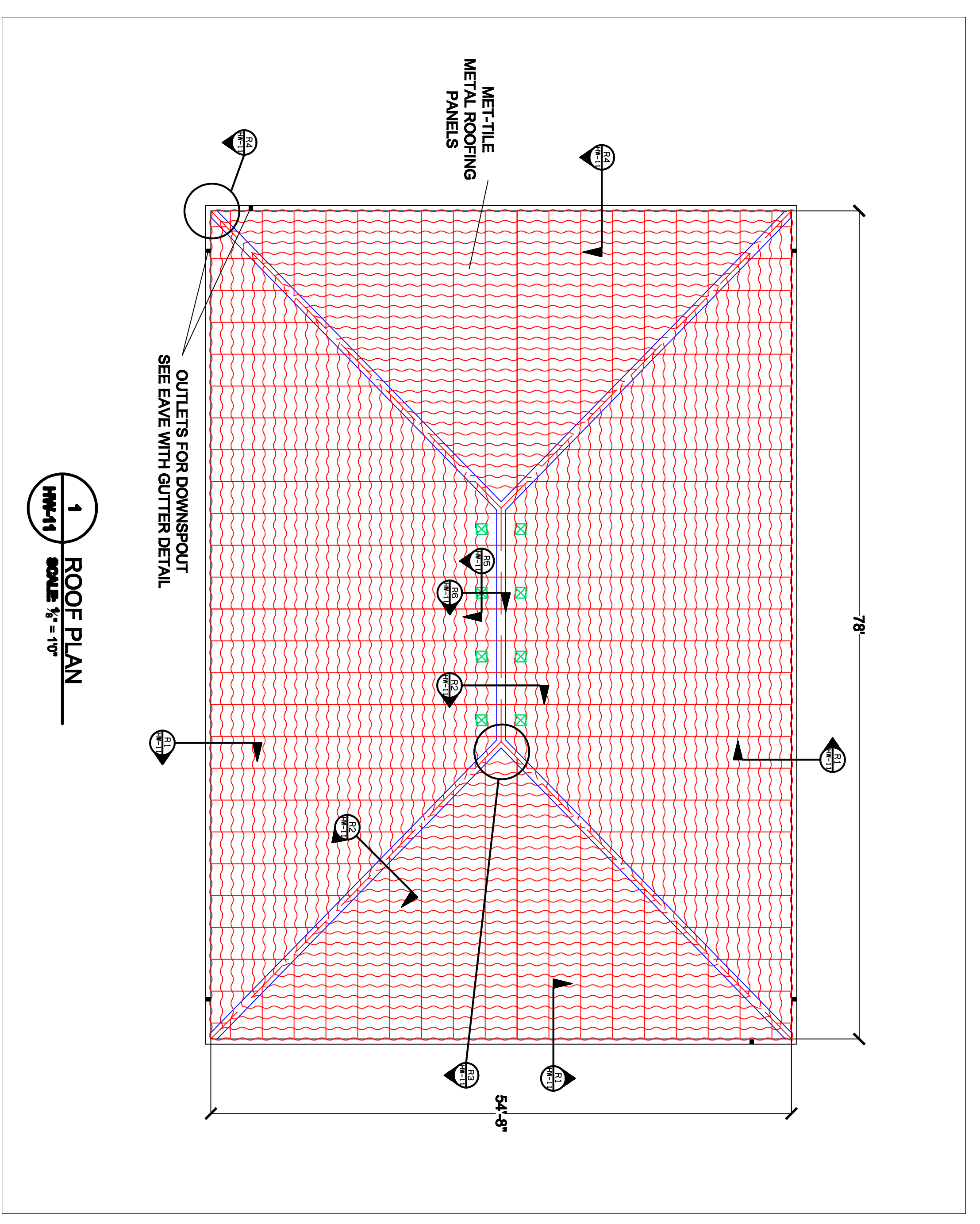
R2
RIDGE/HIP DETAIL
 NOT TO SCALE



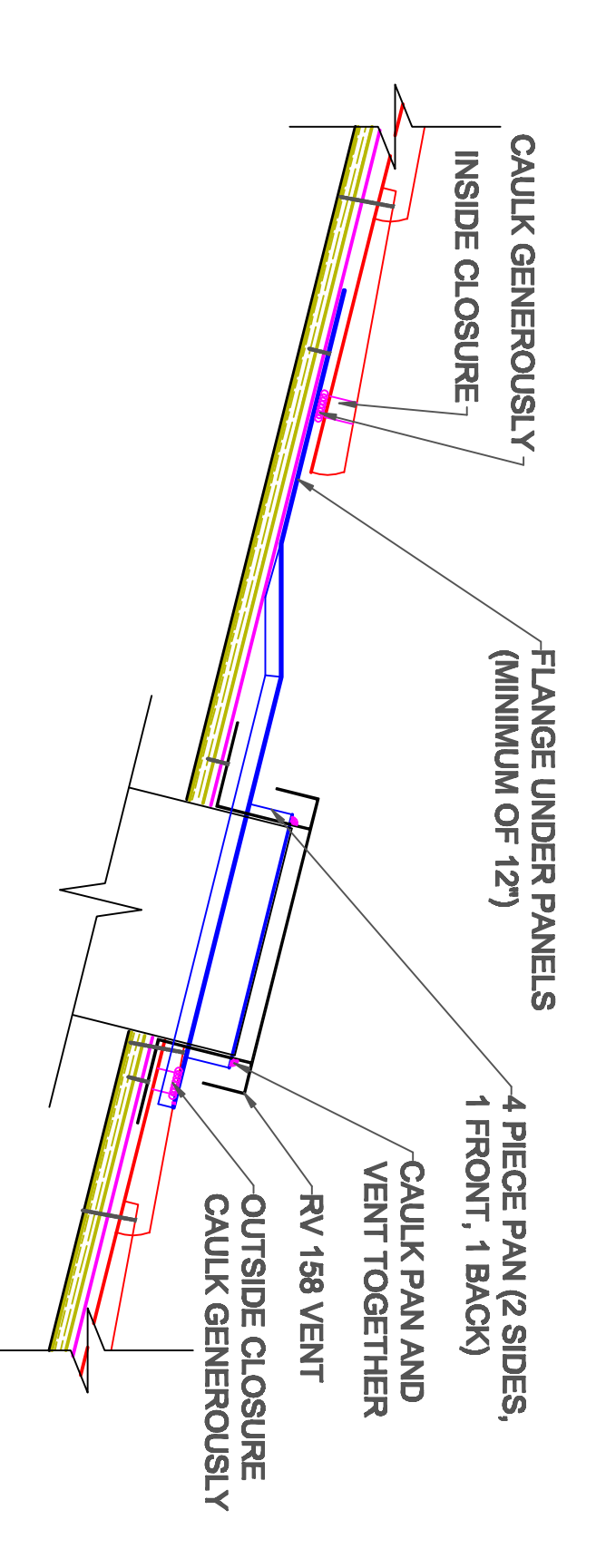
R3
HIP TO RIDGE MITER DETAIL
 NOT TO SCALE



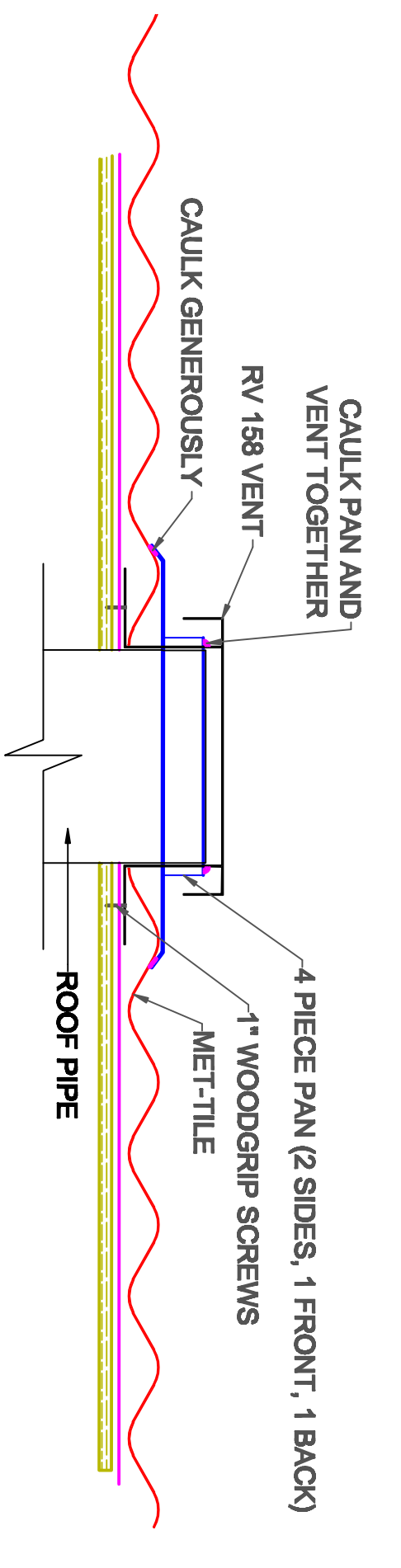
R4
3D HIP TO EAVE DETAIL
 NOT TO SCALE



1
ROOF PLAN
 HW-11 SCALE: 1/4" = 1'0"



R6
ROOF VENT DETAIL
 SCALE: 1/2" = 1'0"



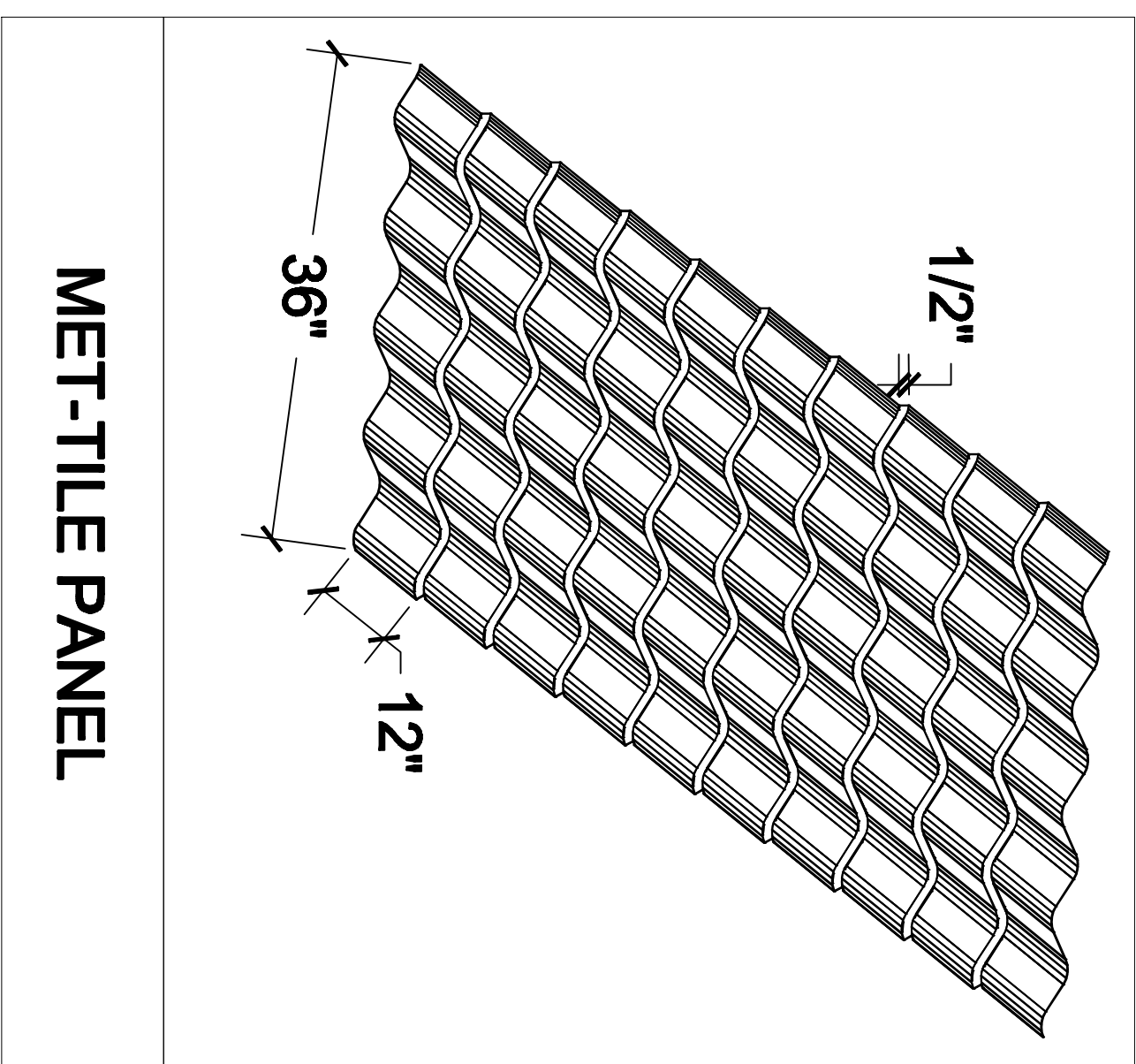
R5
ROOF VENT DETAIL
 SCALE: 1/2" = 1'0"

GENERAL NOTES:

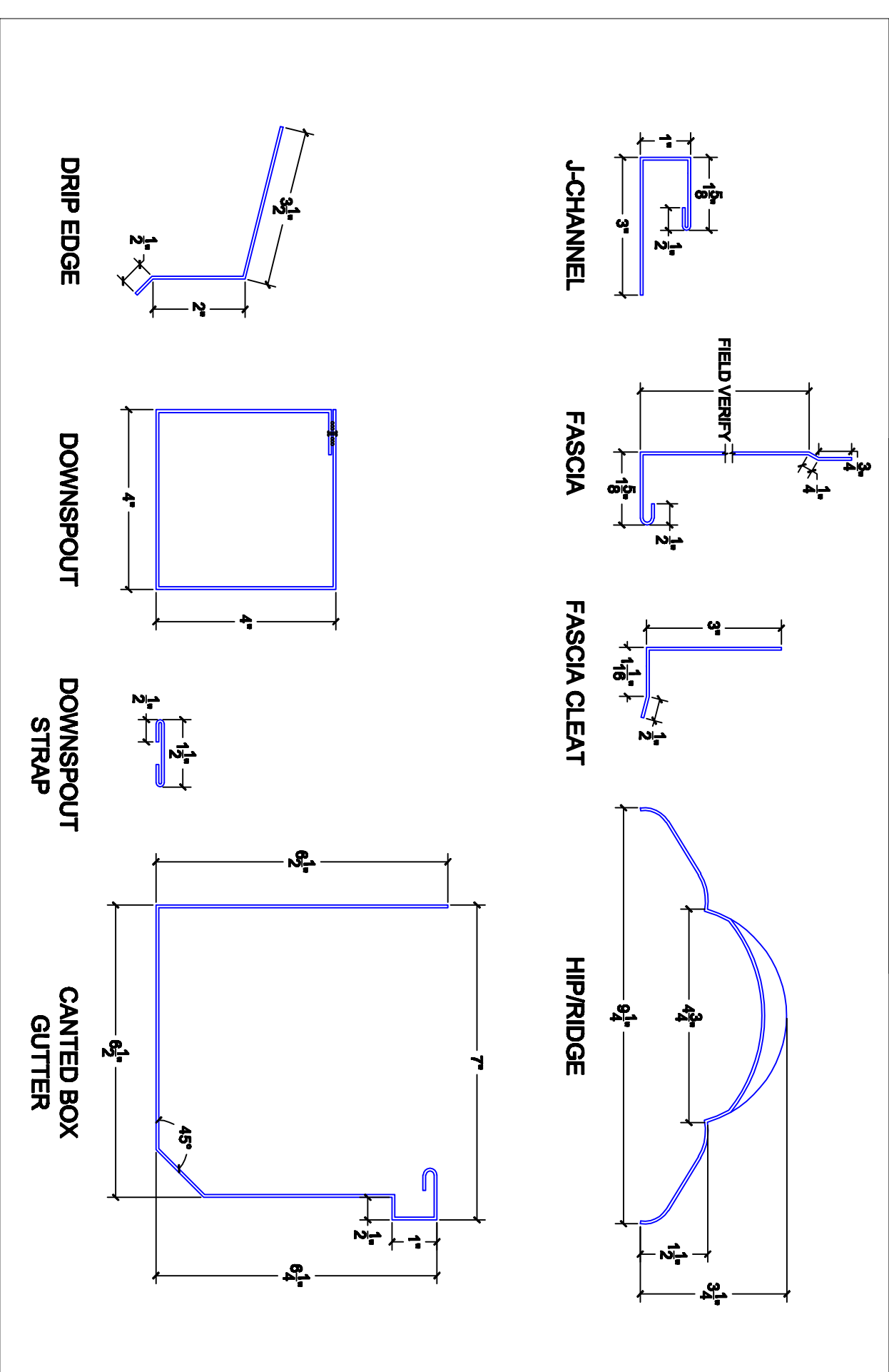
- STRUCTURAL COMPONENTS DONE BY OTHERS (I.E. TRUSS FRAMING, WALL FRAMING, DECKING)
- UNDERLAYMENT
- AFM WIND & WATER
- TOUGH MULTILAYER POLYMER WITH RUBBERIZED ASPHALT ADHESIVE
- TO BE INSTALLED ON ENTIRE ROOF WITH NO LESS THAN 4" OF LAP ON TOP LAP AND SIDES (IF NEEDED)
- JOINT STYLE
- MINIMUM OF 6" LAP ON HIP AND RIDGE TRIM
- SEAL TAPE TO BE PRESSED INTO PANELS, CONTINUOUS UNDER HIP AND RIDGE TRIM
- MINIMUM OF 2" LAP ON OTHER TRIM PIECES
- MINIMUM OF 12" UNDER PANELS ON VENT CAP SHROUD
- GALVANIZED METAL
- 90 HOT DIP GALVANIZED SHEET METAL
- VENT CAP SHROUDS TO BE FIELD VERIFIED BY INSTALLER, TO BE PRODUCED BY PREMIUM PANELS INC.
- GUTTER TO BE 24GA WITH KYNAR 500 FINISH
- ALL SECTIONS OF GUTTER TO BE CONTINUOUS WITH HANGERS 24" O.C.
- CRAFT CORP. WILL FIELD VERIFY ALL DIMENSIONS BEFORE SHOP FABRICATION

ROOF NOTES:

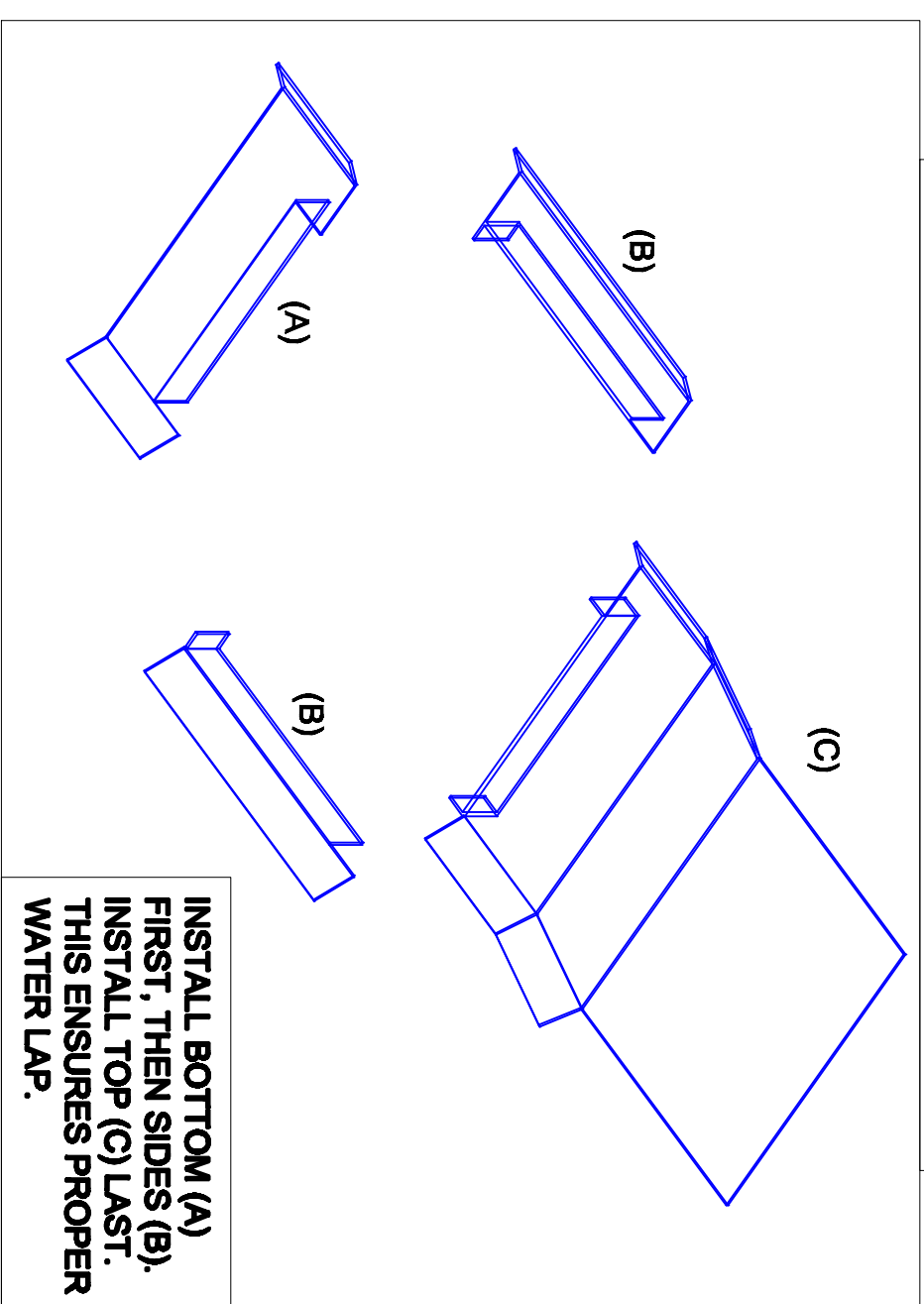
- SYSTEM: 26GA SHEET METAL
- MATERIAL: AZ50 ZINC-ALUMINUM ALLOY COATED STEEL: SMP COOL ROOF PAINT SYSTEM WITH TEXTURED/STUCCO LIKE FINISH (COLOR TO BE MOROCCO RED)
- PROFILE: MET-TILE
- WARRANTY: 20 YEAR FINISH
- SOFFIT NOTES:
- SYSTEM: 24GA SHEET METAL
- MATERIAL: KYNAR 500 PREFINISHED PREMIUM (COLOR UNDECIDED)
- PROFILE: PREMIUM WALLSOFFIT PANEL
- WARRANTY: 20 YEAR FINISH
- TRIM NOTES:
- SYSTEM: 24GA SHEET METAL
- MATERIAL: KYNAR 500 PREFINISHED GALVALUME (COLOR UNDECIDED)
- WARRANTY: 20 YEAR FINISH
- WALL PANEL NOTES:
- SYSTEM: 20GA SHEET METAL
- MATERIAL: POLYMER AGRIGATE PANEL (COLOR UNDECIDED)
- WARRANTY: 20 YEAR FINISH



FLASHINGS

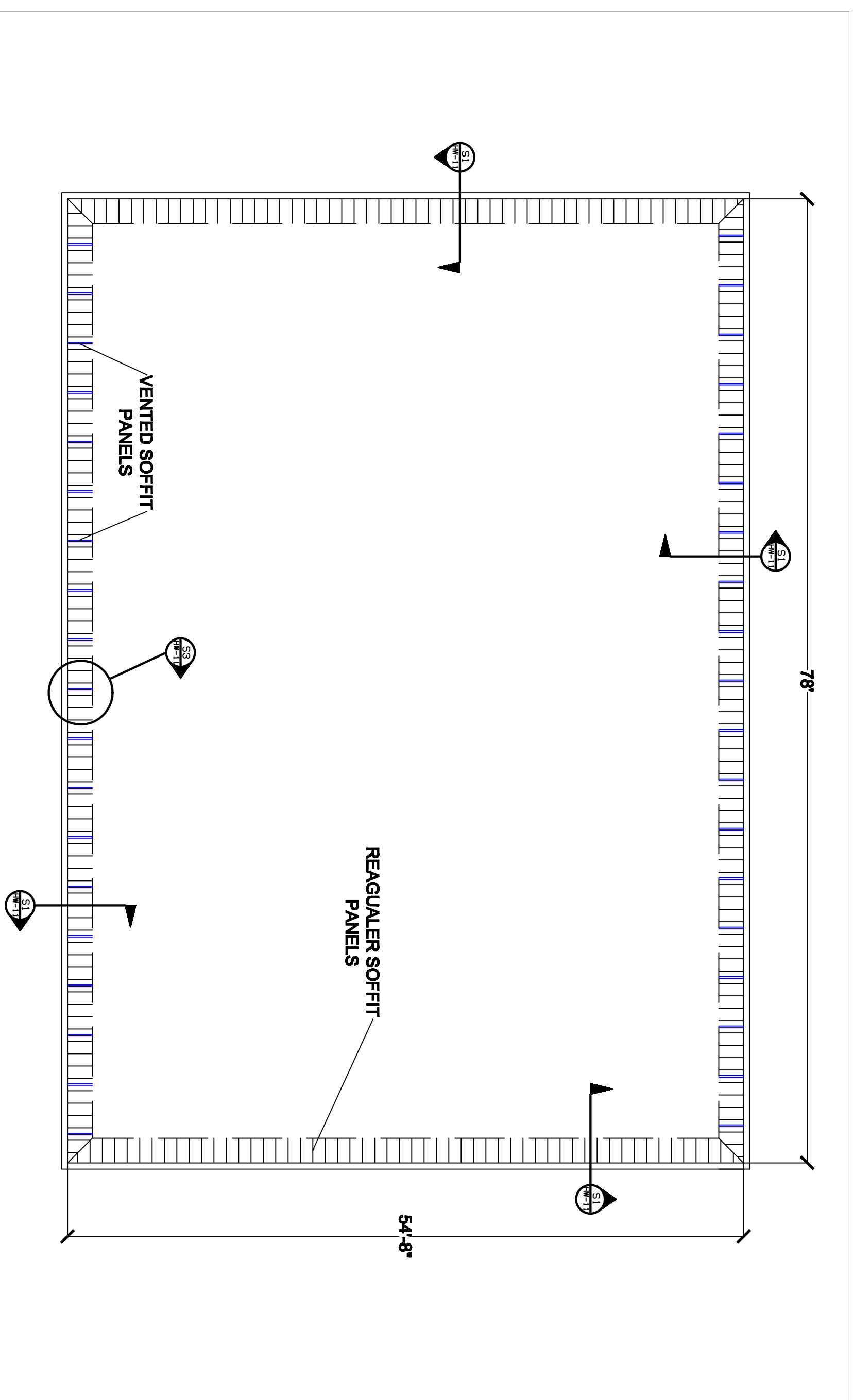
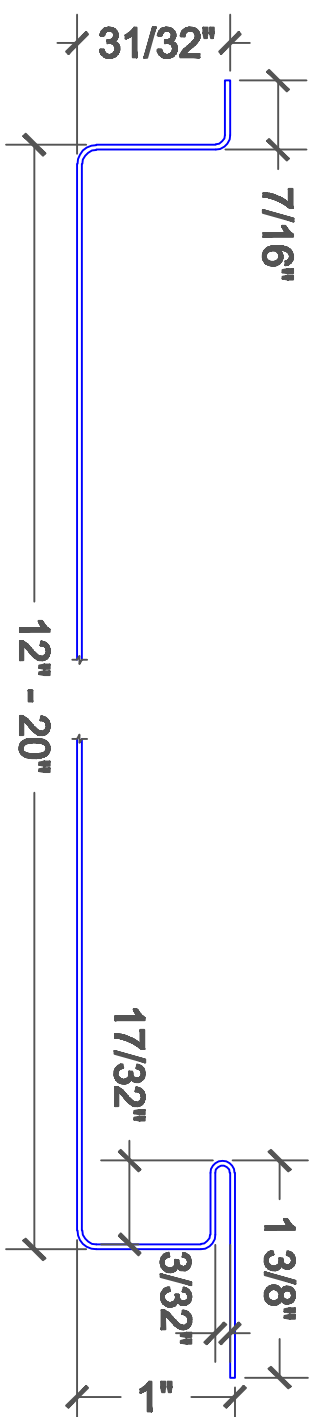


VENT FLASHINGS



S3

PREMIUM SOFFIT/WALL PANEL



1 SOFFIT PLAN
SCALE: 1/2" = 1'-0"

S1

SOFFIT TO WALL DETAIL

SCALE: 1 1/2" = 1'-0"

