



Weaver

CONSTRUCTION MANAGEMENT

3679 S Huron Street, Suite 404 Englewood, Colorado 80110

Phone: (303) 789-4111 FAX: (303) 789-4310

SUBMITTAL TRANSMITTAL

February 15, 2012

Submittal No: 07501-001.C

PROJECT: **Harold Thompson Regional WRF**
Birdsall Rd.
Fountain, CO 80817
Job No. 2908

ENGINEER: **GMS, Inc.**
611 No. Weber St., #300
Colorado Springs, CO 80903
719-475-2935 Roger Sams

OWNER: **Lower Fountain Metropolitan
Sewage Disposal District**
901 S. Santa Fe Ave.
Fountain, CO 80817
719-382-5303 James Heckman

CONTRACTOR: **Craft Corp**
16290 Pine Valley Road
Pine Grove, CO 80470
303-229-0483

SUBJECT: Layout of Panels and Accent Strip Only @ Headworks Building

SPEC SECTION: 07501 Metal Roof and Wall Panels

PREVIOUS SUBMISSION DATES:

DEVIATIONS FROM SPEC: ___ YES X NO

CONTRACTOR'S STAMP: This submittal has been reviewed by Weaver Construction Management and, unless indicated otherwise, has been found to be in conformance with the intent of the contract documents.

Contractor's Stamp:

Engineer's Stamp:

Date: 2/15/12

Reviewed by: John Jacob

() Reviewed Without Comments

(x) Reviewed With Comments

ENGINEER'S
COMMENTS:



Project: HDTWRF Project

Location: Fountain, CO

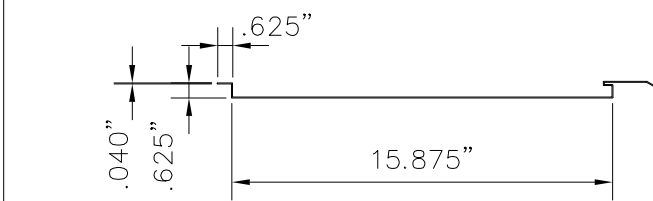
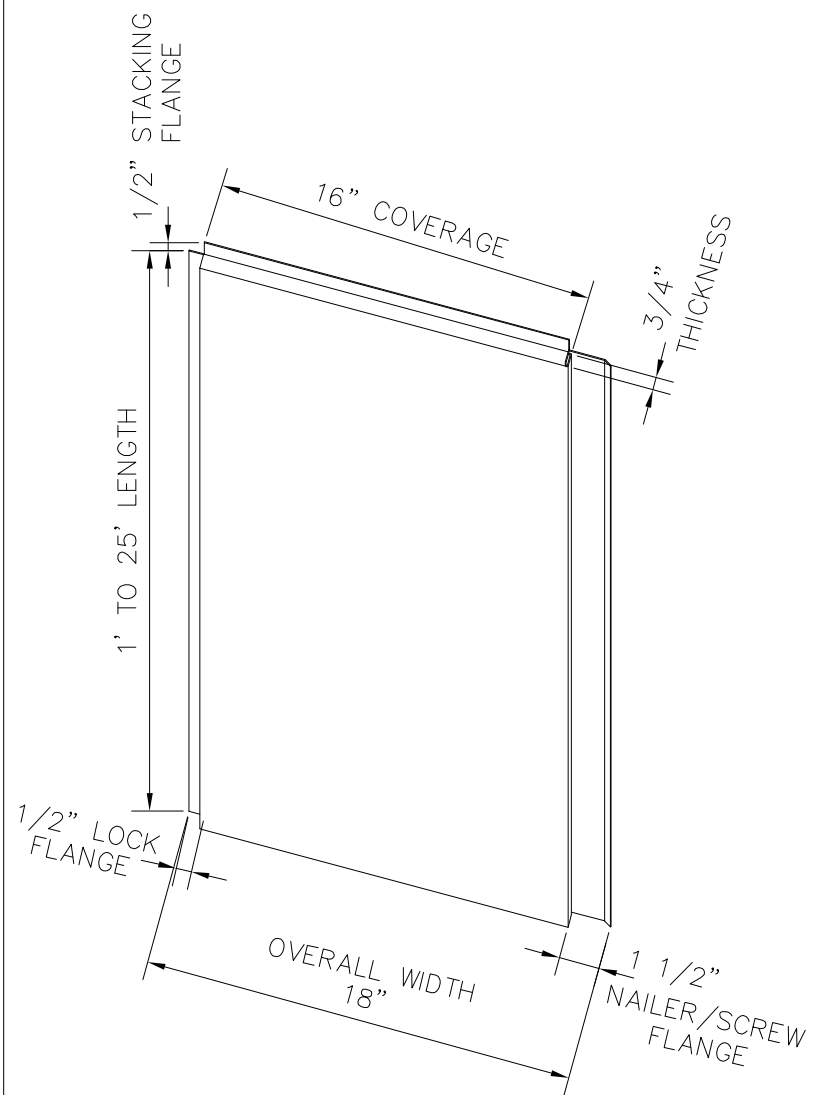
Supplier: Craft Corp

Date: 2/14/12

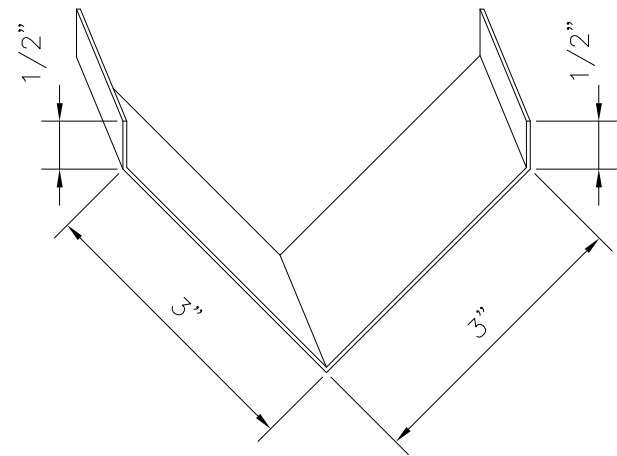
Submittal 07501-1.C Headworks building wall panel layout.

Additional Submittal Review Comments:

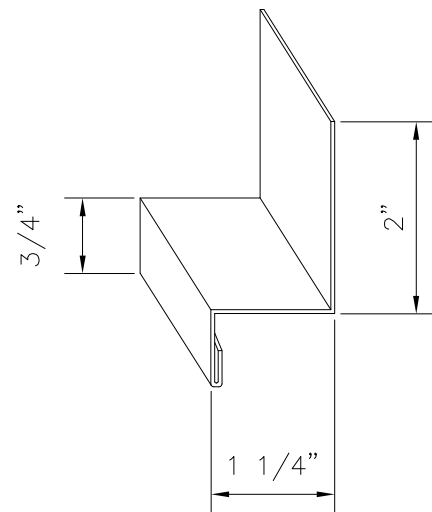
- 1. Submitting layout of the panels and accent strip only. Product data previously submitted with 07501-1.B.**
- 2. WCM has confirmed with Craft that the panels will overlap the concrete foundation by 4".**



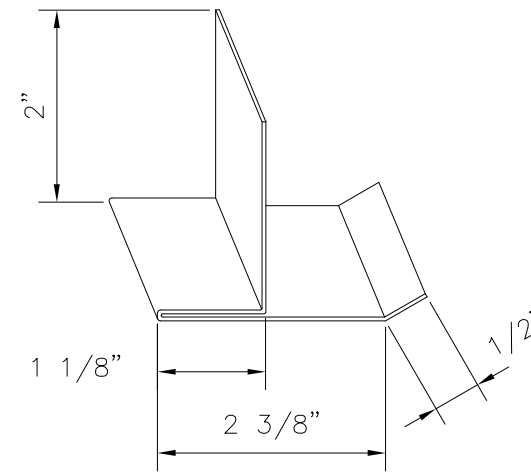
SECTION MODULUS



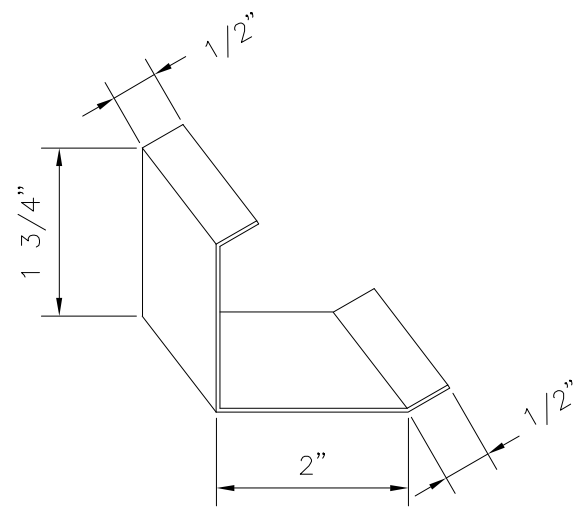
OUTSIDE CORNER TRIM
PART B



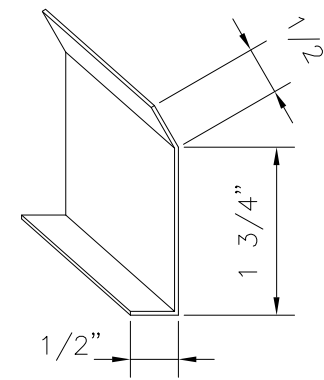
BASE TRIM OR DRIP CAP
PART C



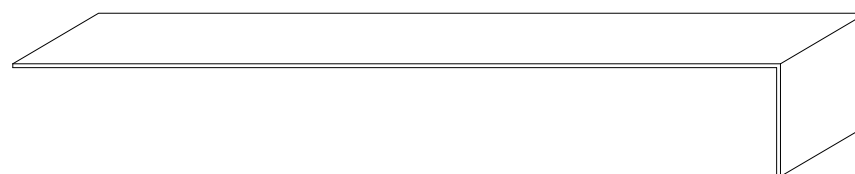
WINDOW & DOOR HEADER
FLASHING PART E



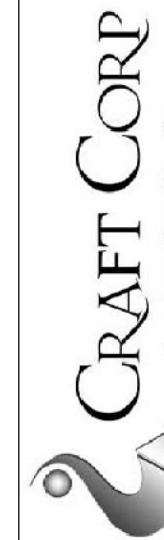
FRAME OPENING SILL
& JAMB TRIM PART F



TOP WINDOW & DOOR TRIM
PART G



OVERHEAD DOOR JAMB COVER
PART S



Construction Excellence

16280 Pine Valley Road, Pine Grove, CO 80470 Phone 303.954.9990 Fax 720.383.6275

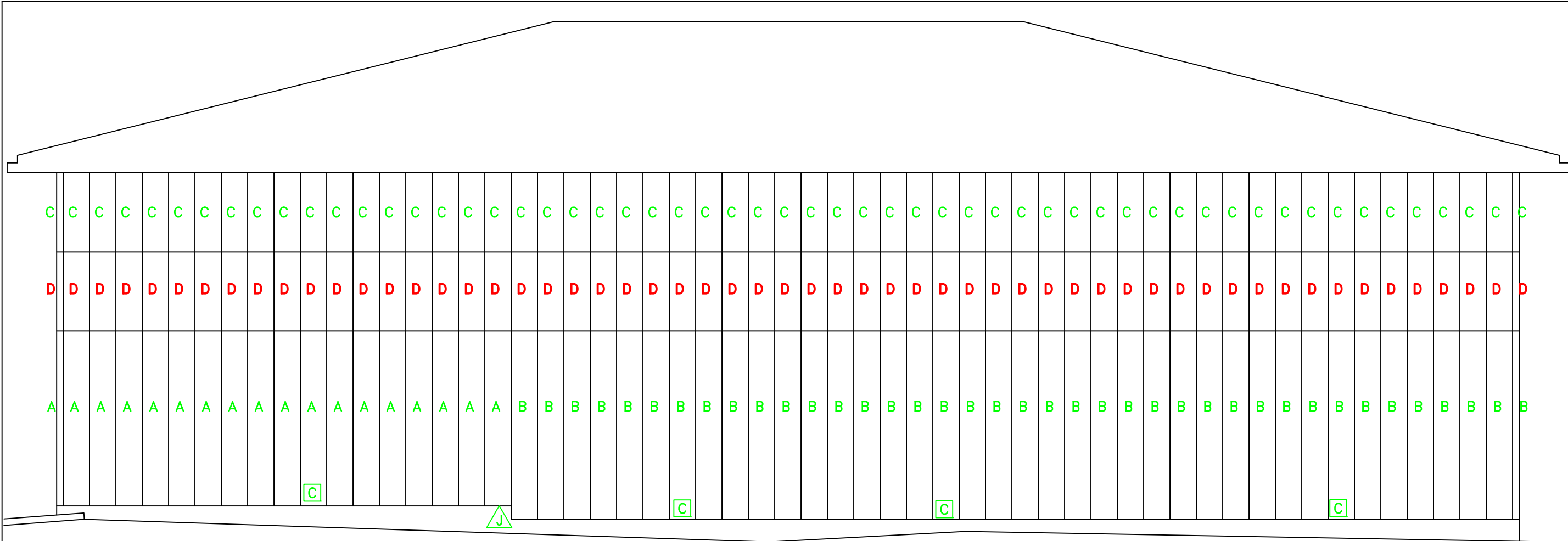
HAROLD D. THOMPSON REGIONAL
WATER RECLAMATION FACILITY
FOUNTAIN, COLORADO

SCALE: N.T.S.

DATE: 2/13/12

DRAWN BY: JEF

DWG No. 5 OF 5



EAST ELEVATION

LEGEND

CUSTOM PANELS

"PUEBLO" (COLORED CODED GREEN)

PANEL LENGTHS

A	9'-0"	(18)	(108")
B	9'-9"	(39)	(116")
C	4'-4"	(57)	(48")

TRIM

- C BASE TRIM
- E HEADER
- F JAMB
- G TOP TRIM
- J TOP/SIDE CHANNEL

CUSTOM PANELS

"ADOBE" (COLORED CODED RED)

PANEL LENGTHS

D	4'-0"	(57)	(48")
---	-------	------	-------

TRIM

NONE

HAROLD D. THOMPSON REGIONAL
WATER RECLAMATION FACILITY
FOUNTION, COLORADO

SCALE: N.T.S.

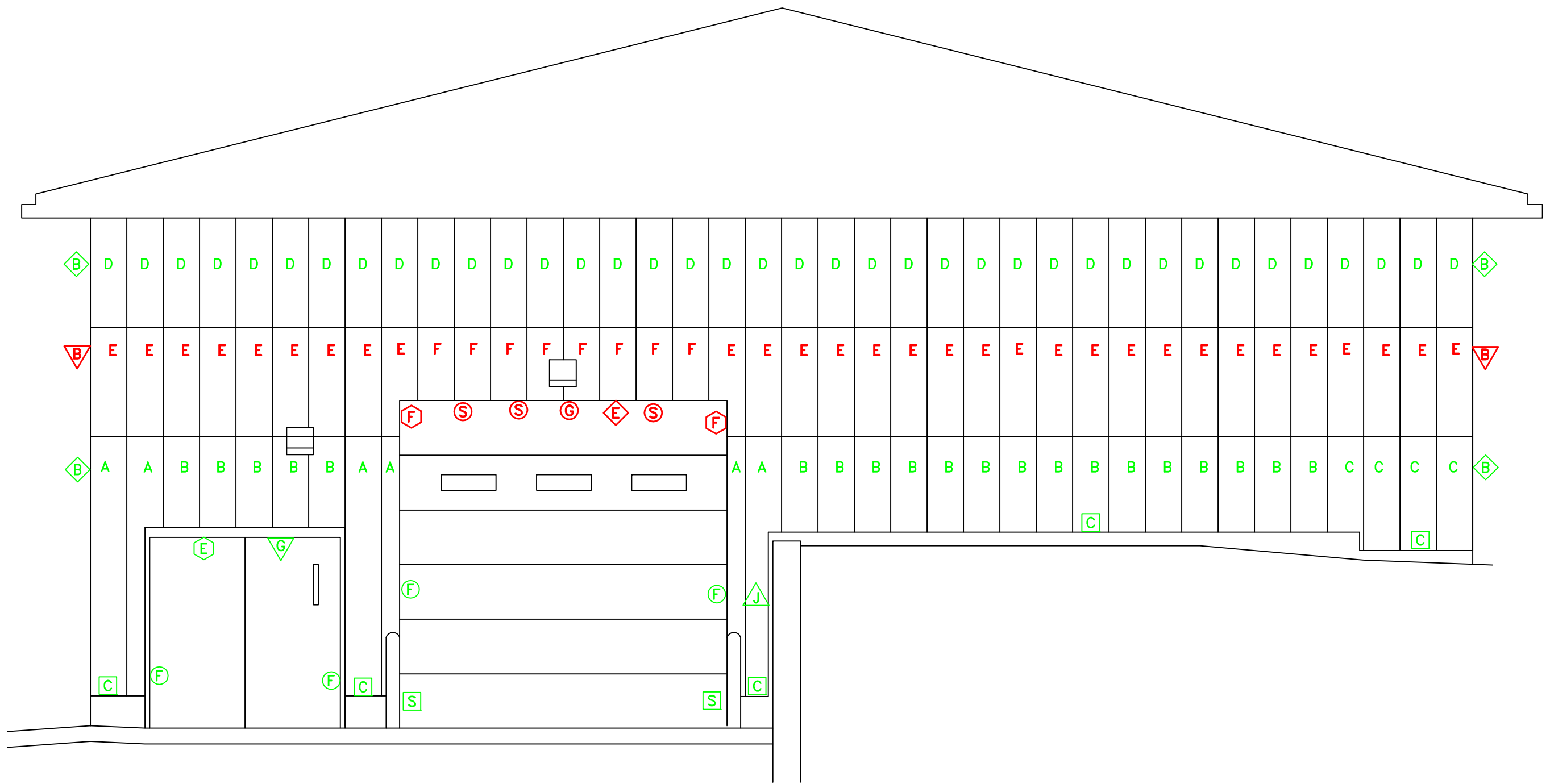
DATE: 2/13/12

DRAWN BY: JEF

DWG No. 3 OF 5



16280 Pine Valley Road, Pine Grove, CO 80470 Phone 303.954.9930 Fax 720.383.6275



NORTH ELEVATION

LEGEND

CUSTOM PANELS

"PUEBLO" (COLORED CODED GREEN)

PANEL LENGTHS

A	9'-8"	(6)	(116")
B	3'-4"	(20)	(44")
C	4'-4"	(5)	(52")
D	4'-0"	(38)	(48")

TRIM

- ◊ CORNER
- ◻ BASE TRIM
- ◻ HEADER
- ◻ JAMB
- ◻ TOP TRIM
- ◻ TOP/SIDE CHANNEL
- ◻ SPECIAL

CUSTOM PANELS

"ADOBE" (COLORED CODED RED)

PANEL LENGTHS

E	4'-0"	(30)	(48")
F	2'-8"	(8)	(32")

TRIM

- ◊ CORNER
- ◻ HEADER
- ◻ JAMB
- ◻ TOP TRIM
- ◻ SPECIAL

HAROLD D. THOMPSON REGIONAL
WATER RECLAMATION FACILITY
FOUNTION, COLORADO

SCALE: N.T.S.

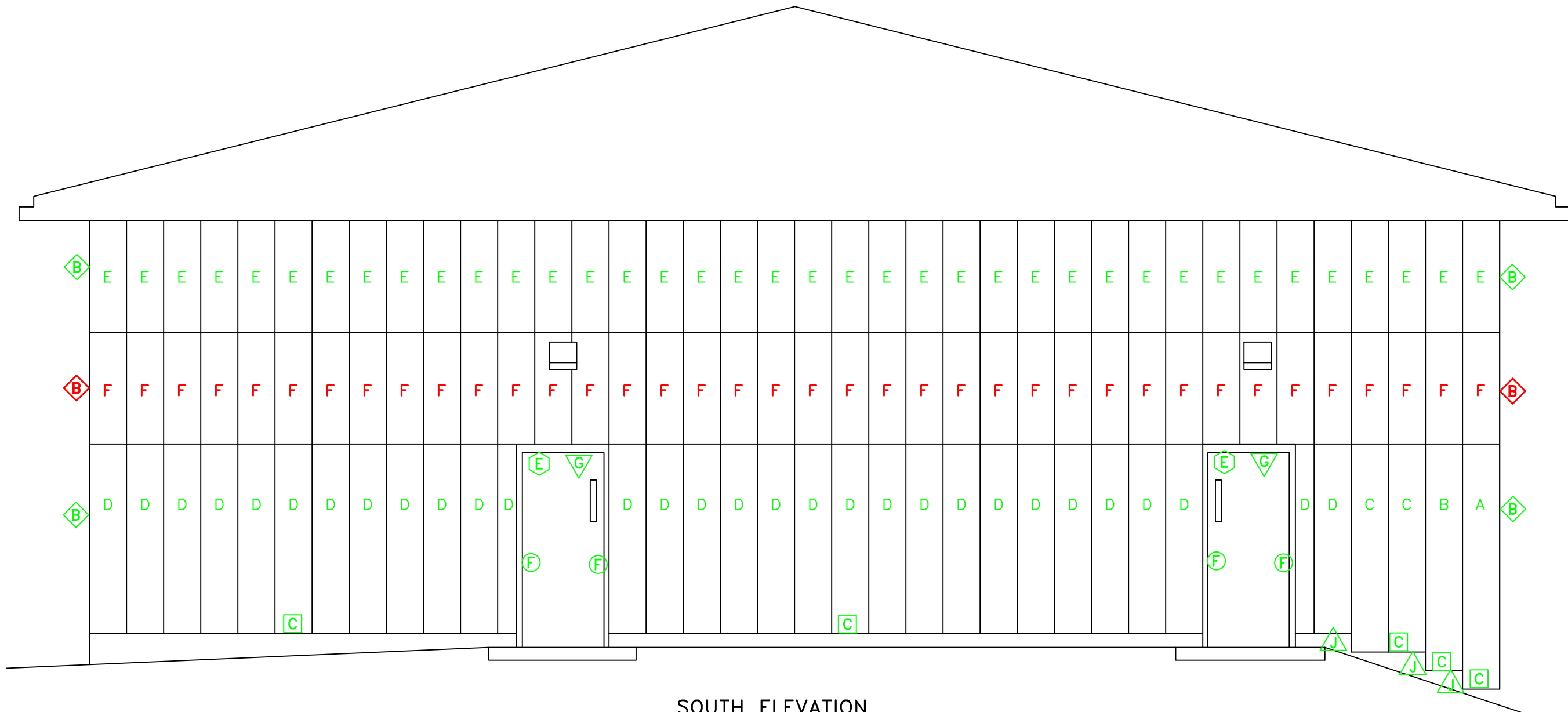
DATE: 2/13/12

DRAWN BY: JEF

DWG No. 2 OF 5



16280 Pine Valley Road, Pine Grove, CO 80470 Phone 303.954.9930 Fax 720.583.6275



SOUTH ELEVATION

LEGEND

CUSTOM PANELS

"PUEBLO" (COLORED CODED GREEN)

PANEL LENGTHS

A	9'-0"	(1)	(108")
B	8'-4"	(1)	(100")
C	7'-8"	(2)	(92")
D	7'-0"	(30)	(84")
E	4'-0"	(38)	(48")

TRIM

- CORNER
- BASE TRIM
- HEADER
- JAMB
- TOP TRIM
- TOP/SIDE CHANNEL

CUSTOM PANELS

"ADOBE" (COLORED CODED RED)

PANEL LENGTHS

F	4'-0"	(38)	(48")
---	-------	------	-------

TRIM

- CORNER
- HEADER
- JAMB
- TOP TRIM

HAROLD D. THOMPSON REGIONAL
 WATER RECLAMATION FACILITY
 FOUNTION, COLORADO

SCALE: N.T.S.

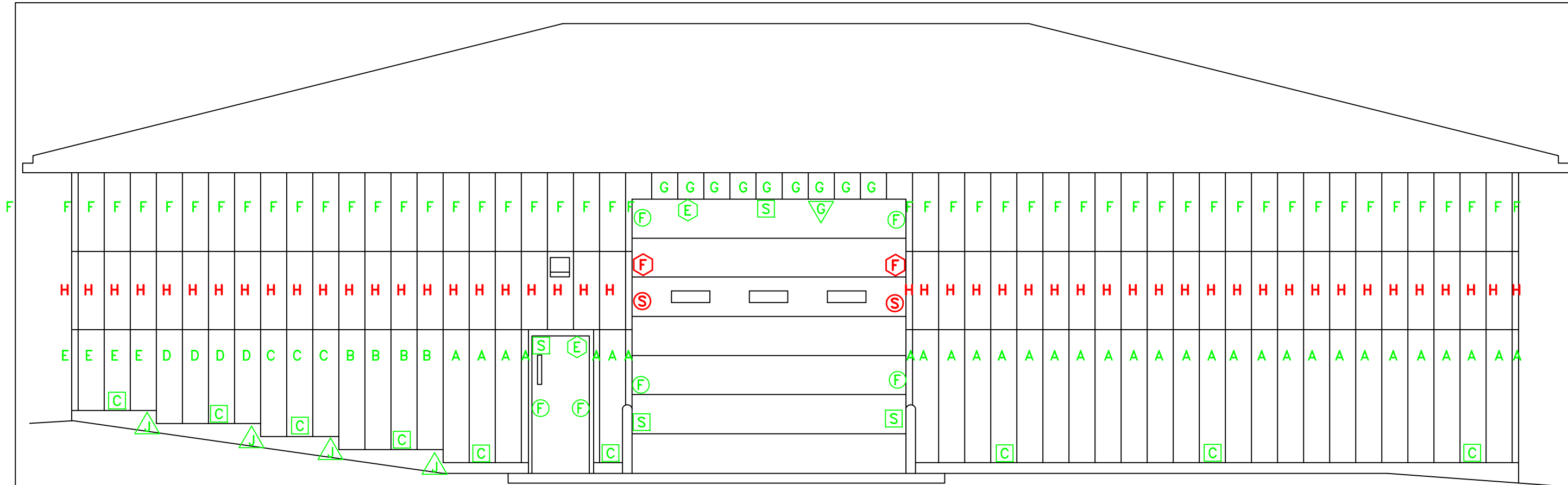
DATE: 2/13/12

DRAWN BY: JEF

DWG No. 1 OF 5



16280 Pine Valley Road, Pine Grove, CO 80470 Phone 303.954.9930 Fax 720.383.6275



WEST ELEVATION

LEGEND

CUSTOM PANELS

"PUEBLO" (COLORED CODED GREEN)

PANEL LENGTHS

A	7'-0"	(30)	(84")
B	6'-4"	(4)	(76")
C	5'-8"	(3)	(68")
D	5'-0"	(4)	(60")
E	4'-4"	(4)	(52")
F	4'-0"	(47)	(48")
G	1'-4"	(10)	(16")

TRIM

- C BASE TRIM
- E HEADER
- F JAMB
- G TOP TRIM
- J TOP/SIDE CHANNEL
- S SPECIAL

CUSTOM PANELS

"ADOBE" (COLORED CODED RED)

PANEL LENGTHS

H	4'-0"	(47)	(48")
---	-------	------	-------

TRIM

- E HEADER
- F JAMB
- G TOP TRIM
- S SPECIAL

HAROLD D. THOMPSON REGIONAL
 WATER RECLAMATION FACILITY
 FOUNTION, COLORADO

SCALE: N.T.S.

DATE: 2/13/12

DRAWN BY: JEF

DWG No. 4 OF 5



16280 Pire Valley Road, Pire Grove, CO 80470 Phone 303.954.9930 Fax 720.583.6275