



Weaver Construction Management, Inc.
 3679 S. Huron St., Suite 404
 Englewood, CO 80110
 Phone: (303) 789-4111 FAX: (303) 789-4310

SUBMITTAL TRANSMITTAL

06 September, 2011

GMS Submittal No. _____
 WGC Submittal No. 07501-001

PROJECT: HAROLD D. THOMPSON W.R.F.
 9001 Birdsall Road.
 Fountain, Colorado 80817
 Job No. 2908

ENGINEER: GMS, Inc.
 611 North Weber St. # 300
 Colorado Springs, CO 80903
 719-475-2935 Roger Sams

OWNER: Lower Fountain Metropolitan
 Sewage Disposal District
 901 South Santa Fe Avenue
 Fountain, CO 80817
 719-382-5303 James Heckman

CONTRACTOR: Craft Corporation. (C.C.)
 6834 West 76th Place
 Arvada, CO 80003
 303-229-0483 Chris Stiner

SUBJECT Metal Roof Panel Stamped for
 Spanish Tile Appearance.

- Met-Tile Panel - 1-1/2" high x 7.2" pitch x 0.7" deep by 36"
- Product Data - Detail Sheets - Color Selection Guide
- Ten (10) Color Chips and One (1) Wall Texture Sample

SPEC SECTION: 07501 Metal Roof and Wall Panels.
 PREVIOUS SUBMISSION DATES: none

DEVIATIONS FROM SPEC: _____ YES X NO

CONTRACTOR'S STAMP: This submittal has been reviewed by Weaver General Construction and approved with respect to the means, methods, techniques, & safety precautions & programs incidental thereto. Weaver General Construction also warrants that this submittal complies with contracted documents and comprises on deviations thereto.

Contractor's Stamp:

Engineer's Stamp:

Date: 09-06-2011
 Reviewed by: *H.C. Myers*
 (X) Reviewed Without Comments
 () Reviewed With Comments

ENGINEER'S
 COMMENTS:

6834 W. 76th Place
Arvada, CO 80003

WEAVER CONSTRUCTION
MANAGEMENT INC.

3679 So. Huron St. Suite 404
Englewood, Co 80110

C/O JOHN JACOB



HAROLD D THOMPSON WATER RECLAMATION FACILITY ROOF & WALL SUBMITTALS (3 SET)

Top off your house

with something tilish.

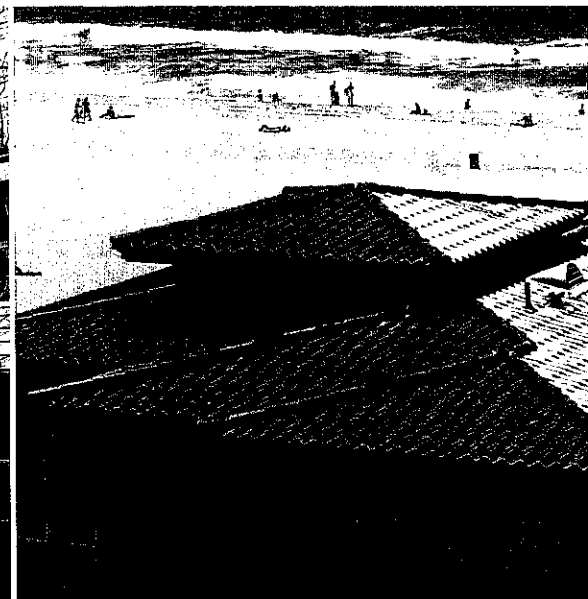


Met-Tile looks so much like clay or concrete tile, it's tough to tell the difference! Until you learn the advantages. Lightweight Met-Tile combines the "tilish" look you love with the proven performance features of metal panel roofing — including all-weather performance, low maintenance, durability and energy efficiency. Met-Tile is proud to be an ENERGY STAR[®] partner. All 10 designer colors meet or exceed stringent ENERGY STAR standards, to keep your home cooler. Besides saving energy, cool metal roofing may also qualify you for tax credits and/or utility and insurance rebates in some areas.

Though it looks like tile, a single Met-Tile panel can actually cover as much area as 80 tiles, for rapid installation. Panels are applied vertically and tightly secured with screw fasteners that keep the roof in place, even under the heaviest wind and rain. In fact, Met-Tile carries an unbeatable UL wind rating of 230+ mph!



Weighing only 1.25 lb. per sq ft, a fraction the weight of tile, Met-Tile is ideal for new and older homes. You can upgrade to the beautiful look of tile without costly structural reinforcement.



Features and Benefits

- 10 designer colors meet ENERGY STAR¹ requirements
- Sheds snow and ice, withstands hail
- Proven hurricane performance
- Seismically safe
- Pest and rot resistant
- Made of recyclable metal
- Looks great on all types of homes
- May bring tax credits or insurance/utility rebates
- Available in high performance aluminum for coastal applications

Technical Data²

Materials: 26 gauge ~~aluminum~~ steel; SMP "cool roof" paint system with textured/stucco-like finish

Panel Dimensions: 36" wide, 2 – 20 ft. long, in 1-ft. increments; special and fractional lengths available

Fire Rating: Class A, B and C rating for new construction (depending on underlayment), Class B for re-roofing

Wind Resistance: 230+ mph (per UL wind uplift testing)

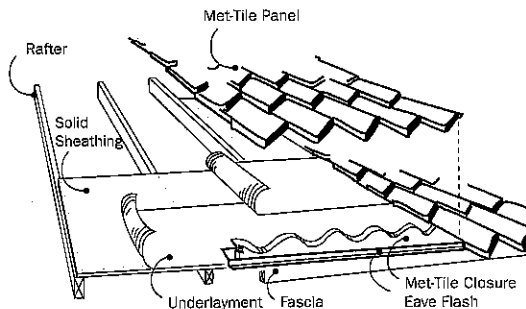
Impact (hail) Resistance: UL Class 4

Warranty: 20 yr. warranty against chipping, splitting, flaking, cracking or peeling of the finish under normal conditions



Typical Installation

Met-Tile is most often installed over solid wood decking and felt underlayment, as shown. It may also be applied over open wood or steel rafters (new construction) or existing shingles (re-roof projects).



Distributed by:

MET-TILE®

Met-Tile, Inc.

Phone: 800-899-0311, 909-947-0311

Email: met-tile@met-tile.com

www.met-tile.com

¹ ENERGY STAR is a registered mark owned by the U.S. government

² Technical data is for standard steel product

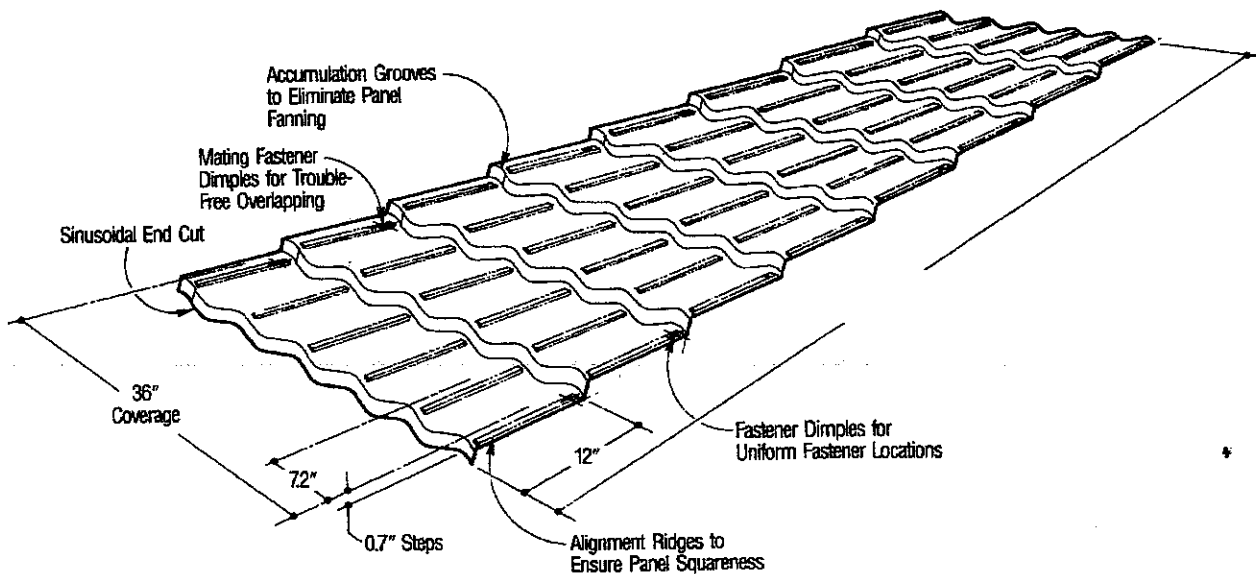
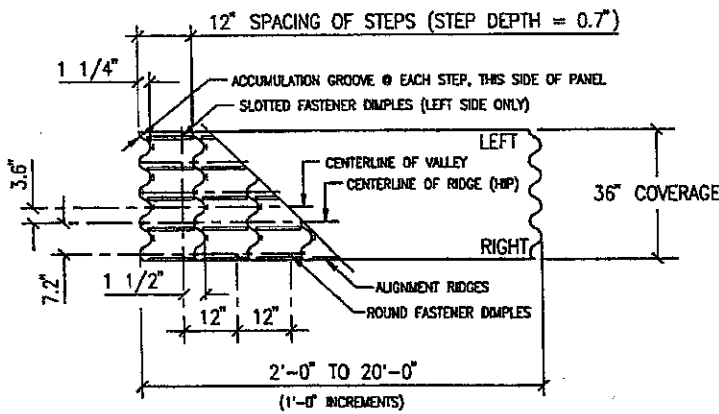
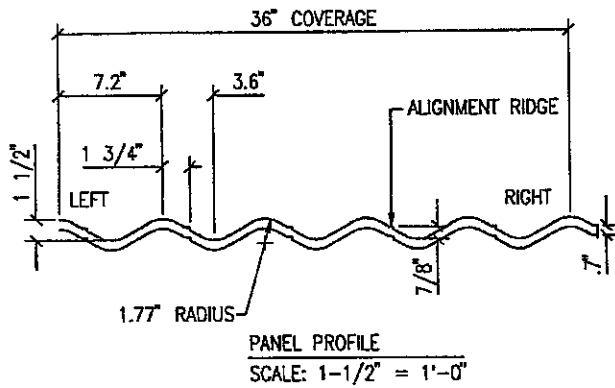
³ Registered trademark, BlueScope Steel Limited

SECTION I:

SYSTEM COMPONENTS

Panel Description

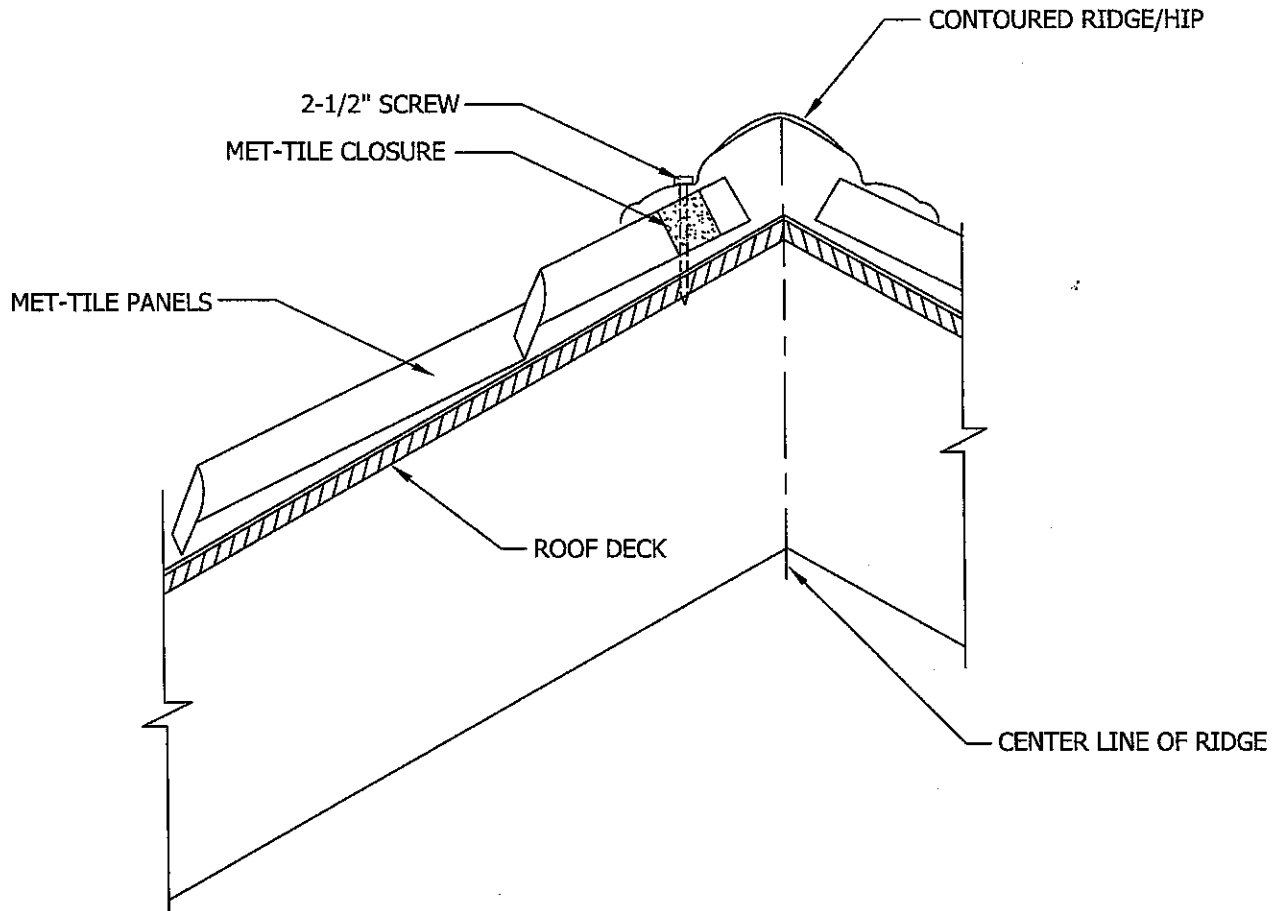
The Met-Tile panel profile contains six, 1-1/2" high x 7.2" pitch corrugations for a total coverage of 36". Steps are 0.7" deep, spaced on 12" centers. Each panel includes in its configuration: alignment ridges, accumulation grooves, fastener dimples and sinusoidal end cuts. Panels are supplied in lengths as needed of 2 ft to 20 ft, in 1-ft increments, and are designed for vertical (eave to ridge) installation. Panel lengths of greater than 20 ft are available on a request basis.



MET-TILE

INCORPORATED

1745 E. MONTICELLO CT.
ONTARIO, CA. 91761
PH. (909) 947-0311
FAX. (909) 947-1510
www.met-tile.com



NOTE:

STANDARD FASTENING FOR TILE PANELS IS (1) 2-1/2" SCREW @ EVERY OTHER TILE ON BOTH SIDES OF RIDGE TYP. REFER TO INSTALLATION MANUAL FOR FASTENING PATTERN IN SPECIFIC AREAS.

N.T.S.

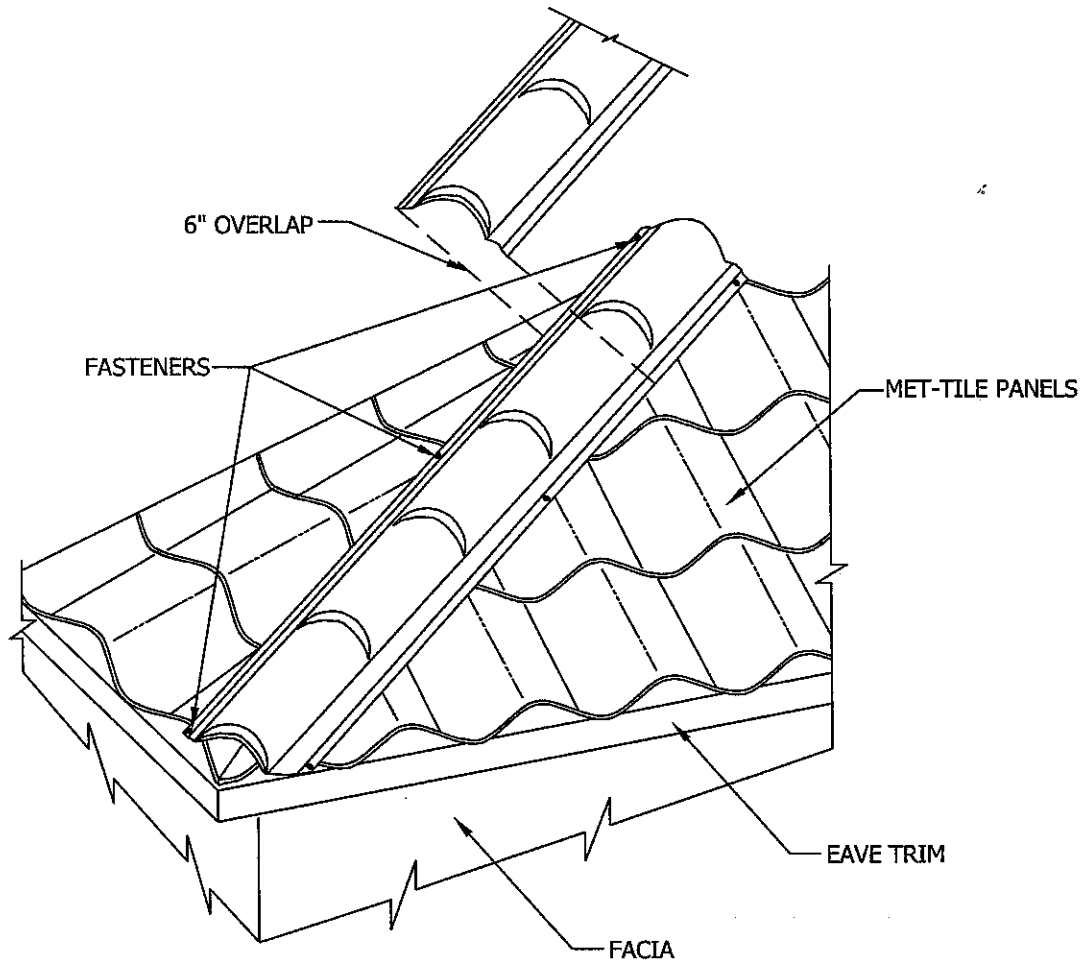
CONTOURED RIDGE

DETAIL SHEET #12

MET-TILE

INCORPORATED

1745 E. MONTICELLO CT.
ONTARIO, CA. 91761
PH. (909) 947-0311
FAX. (909) 947-1510
www.met-tile.com



N.T.S.

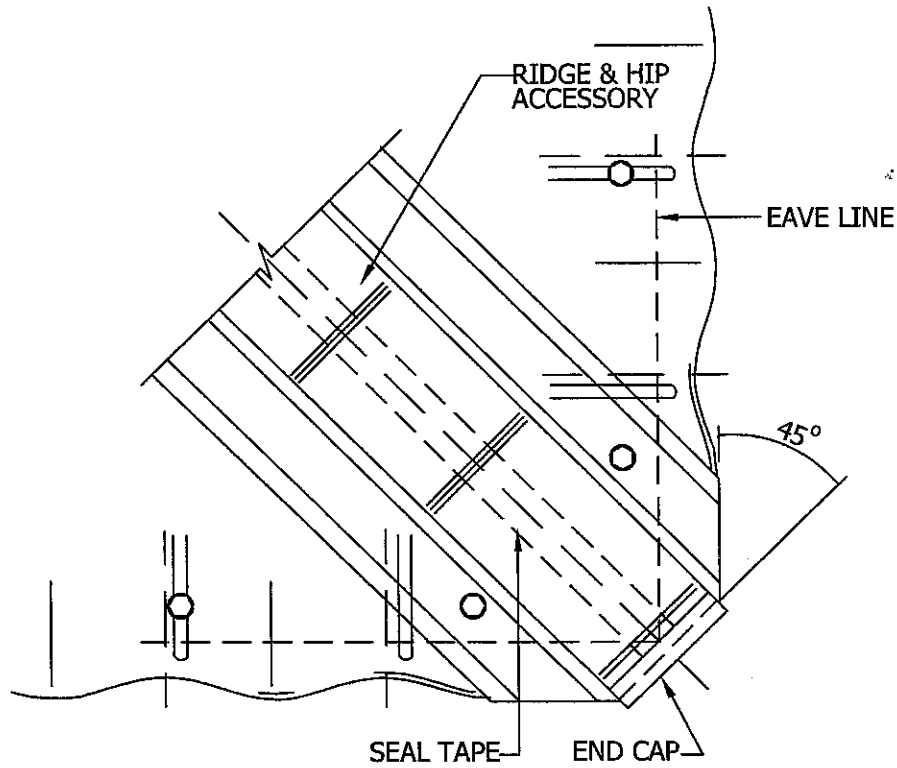
CONTOURED HIP

DETAIL SHEET 11

MET-TILE

INCORPORATED

1745 E. MONTICELLO CT.
ONTARIO, CA. 91761
PH. (909) 947-0311
FAX. (909) 947-1510
www.met-tile.com



N.T.S.

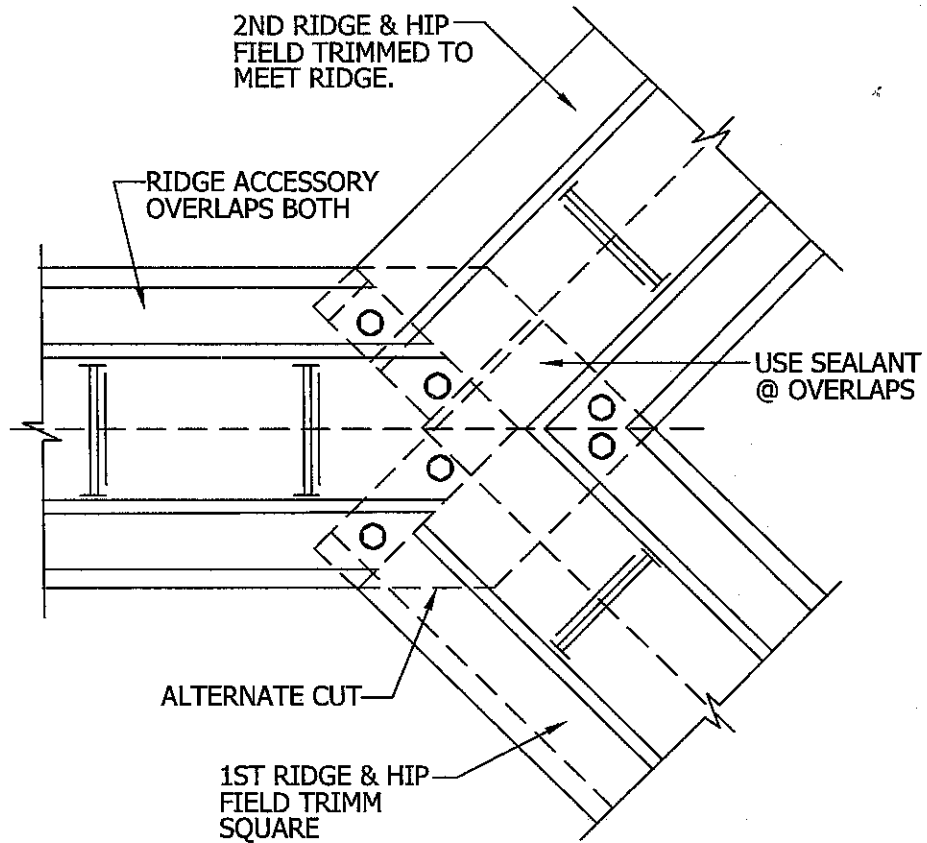
HIP @ CORNER

DETAIL SHEET #10

MET-TILE

INCORPORATED

1745 E. MONTICELLO CT.
ONTARIO, CA. 91761
PH. (909) 947-0311
FAX. (909) 947-1510
www.met-tile.com



N.T.S.

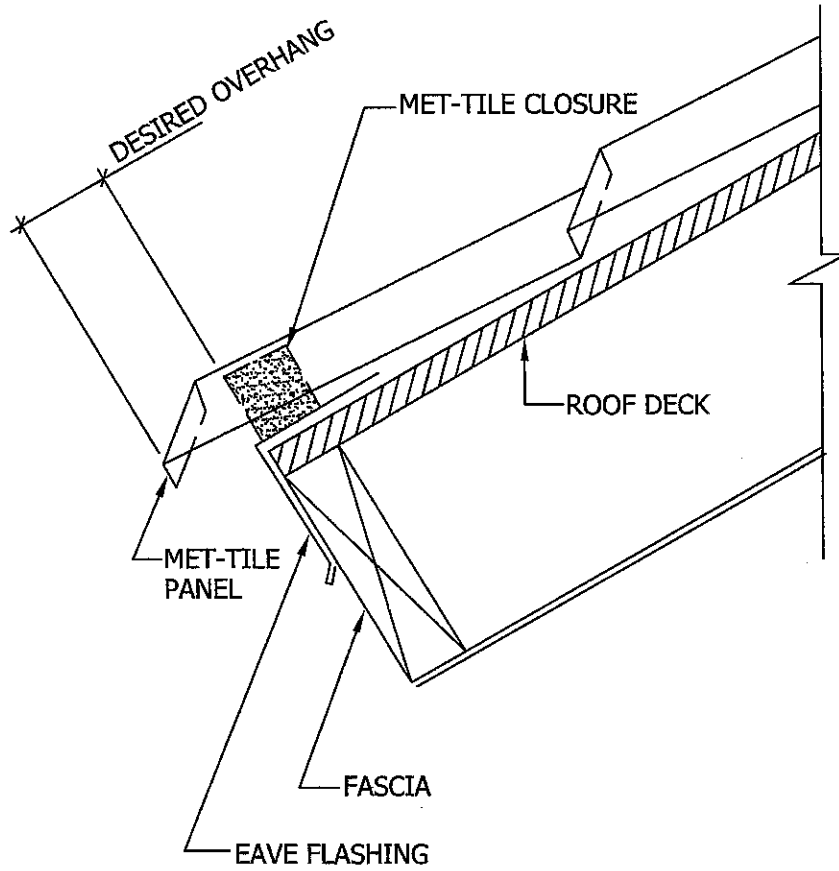
RIDGE @ HIP

DETAIL SHEET #4

MET-TILE

INCORPORATED

1745 E. MONTICELLO CT.
ONTARIO, CA. 91761
PH. (909) 947-0311
FAX. (909) 947-1510
www.met-tile.com



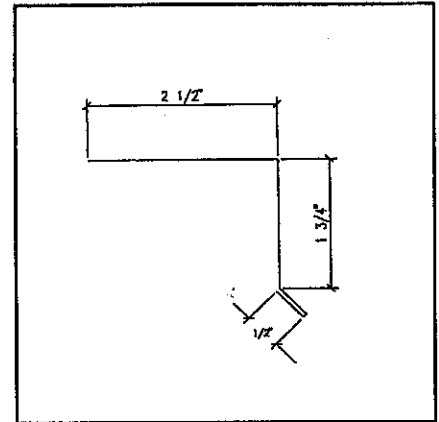
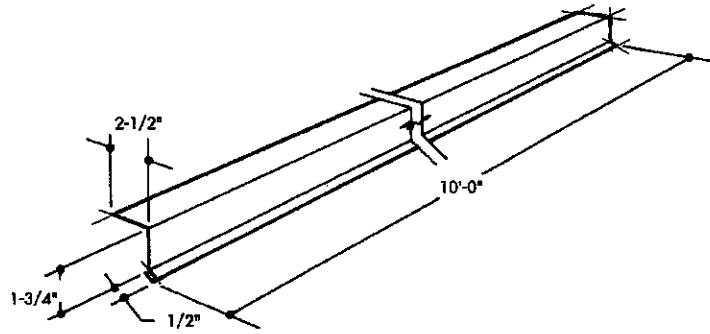
N.T.S.

EAVE

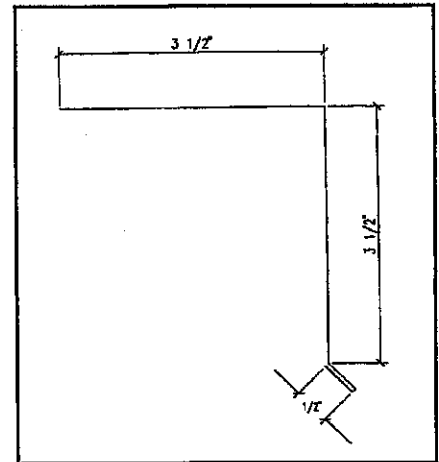
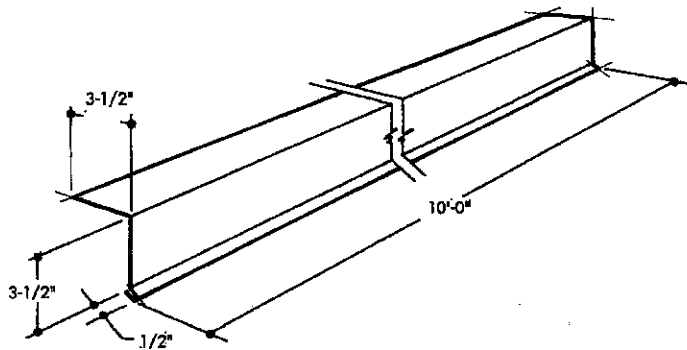
DETAIL SHEET #5

COMPONENTS: TRIMS & FLASHINGS

• **Standard Eave Flash**

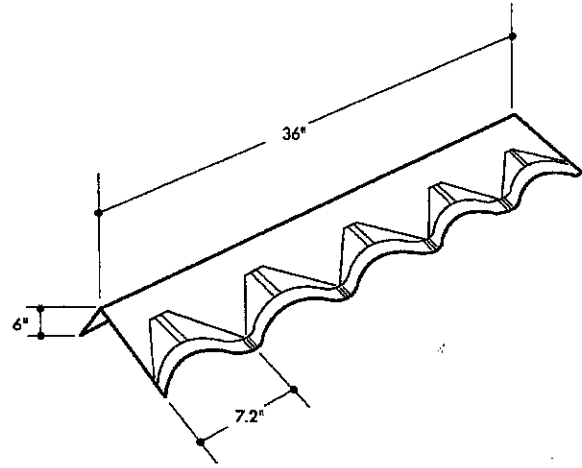
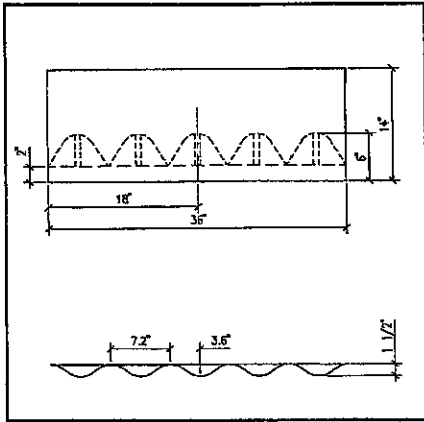


• **Shake Eave Flash**

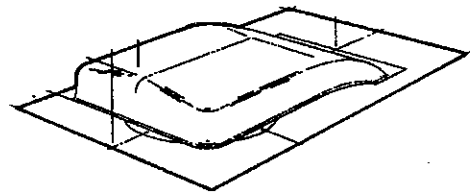
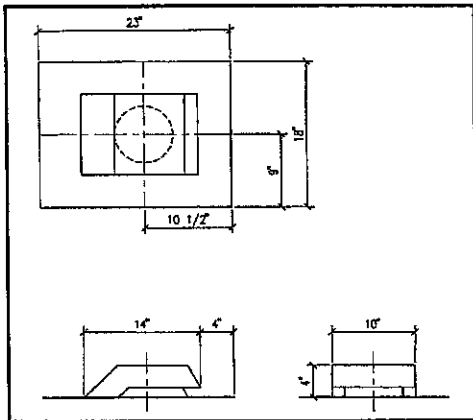


COMPONENTS: TRIMS & FLASHINGS

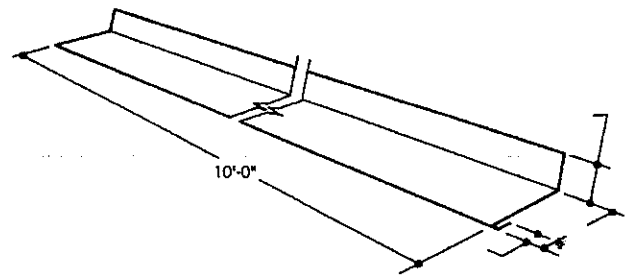
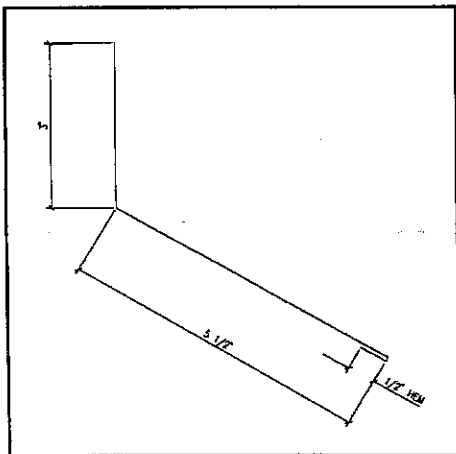
• Contoured End Wall Flashing



• Hood Vent

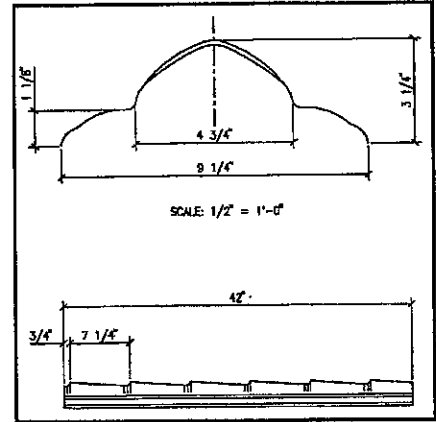
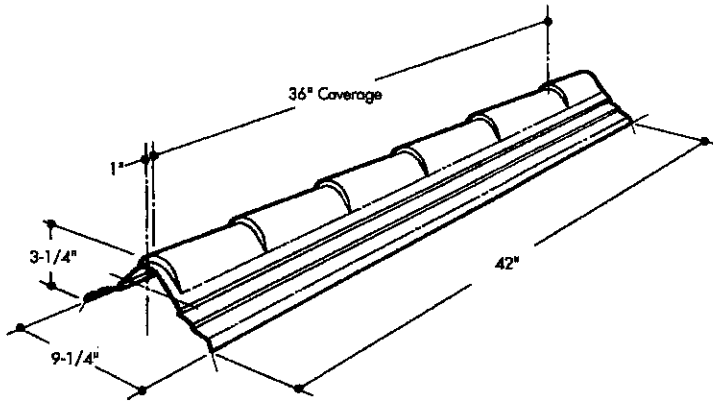


• Flat Endwall Flashing

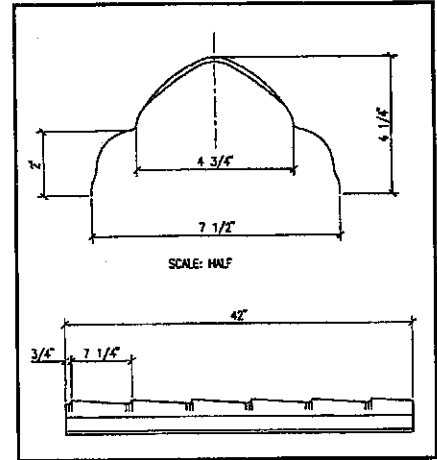
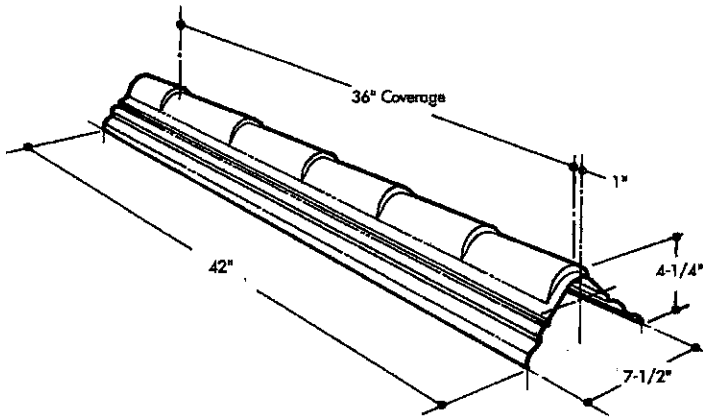


COMPONENTS: TRIMS & FLASHINGS

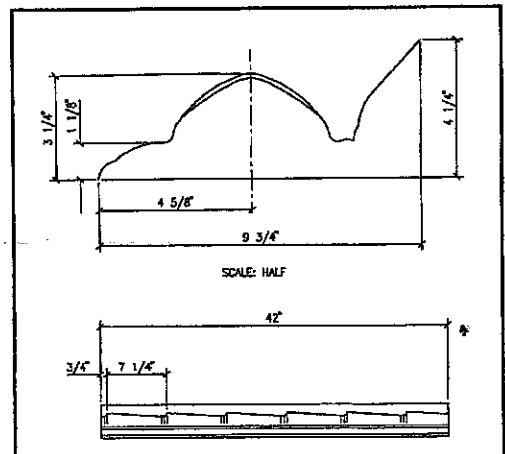
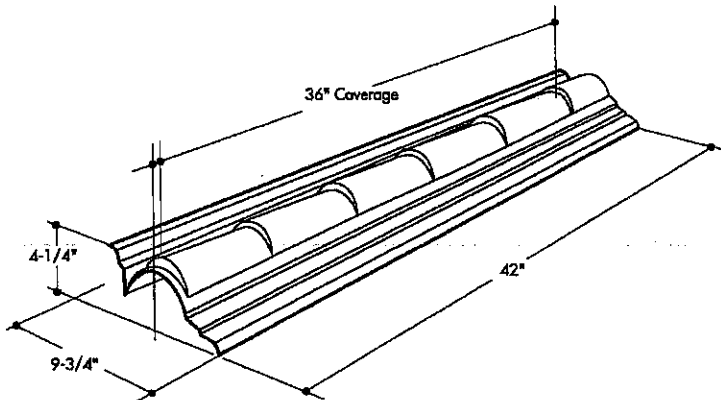
• **Ridge and Hip Accessory**



• **Gable Trim**



• **Contoured Sidewall**





Manufacturer's Certification Statement

for the American Recovery and Reinvestment Act of 2009

On February 17, 2009 President Obama signed a stimulus bill (The American Recovery and Reinvestment Act of 2009) that made some significant changes to energy efficiency tax credits.

Under the new law, a tax credit is available for 30% of the cost, up to \$1,500.00, in 2009 and 2010 for new and existing homes for installed metal roofing on the taxpayer's principal residence.

For metal roofing to qualify, it must meet specific criteria listed below:

Metal Roof Panel: Roofing systems using metal panels are divided into two categories: architectural and structural. Architectural metal roofs are applied over a substrate while structural metal roofs span between structural supports without the need for a substrate to carry the applied loads. Standing seam roofs can be used on roofs with slopes as low as ¼:12. Steel and aluminum sheets are commonly used to fabricate metal roof panels. Steel requires a corrosion resistant metal coating such as zinc, aluminum, alloys of zinc-aluminum, or tin. Metallic coated steel includes galvanized steel, aluminized steel, zinc-aluminum-coated steel and teme-coated steel. Metallic coated steels may also be painted to provide additional corrosion protection, as well as color.

The above is defined in proposed ASTM Standard E 1918-97, and the National Roofing Contractors Association Commercial Low-Slope Roofing Materials Guide 1998.

Roof Coating: A material typically applied in the liquid state to the roof surface at the time of construction or at a later time as a retrofit measure. Roof coatings may include bituminous, polymeric, polymer modified, epoxy based, or other formulations. Bituminous roof coatings are formulated using bitumen. Polymeric roof coatings are formulated using a variety of synthetic resins such as acrylic, neoprene, styrene butadiene, urethane, polyvinyl acetate, and others. Polymer modified roof coatings are manufactured by combining a portion of the polymeric technology with bitumen technology.

Met-Tile Inc. certifies that our zinc-aluminum galvanized 28 GA. Metal Tile Panel with the Super Series 4800 Cool Roof Coating qualifies for the Federal Tax Credit.

Under penalties of perjury, I declare that I have examined this certification statement, and to the best of my knowledge and belief, the facts are true, correct and complete.

A handwritten signature in black ink, appearing to read "T. Holman", written over a horizontal line.

Terry Holman
President
Met-Tile Inc.

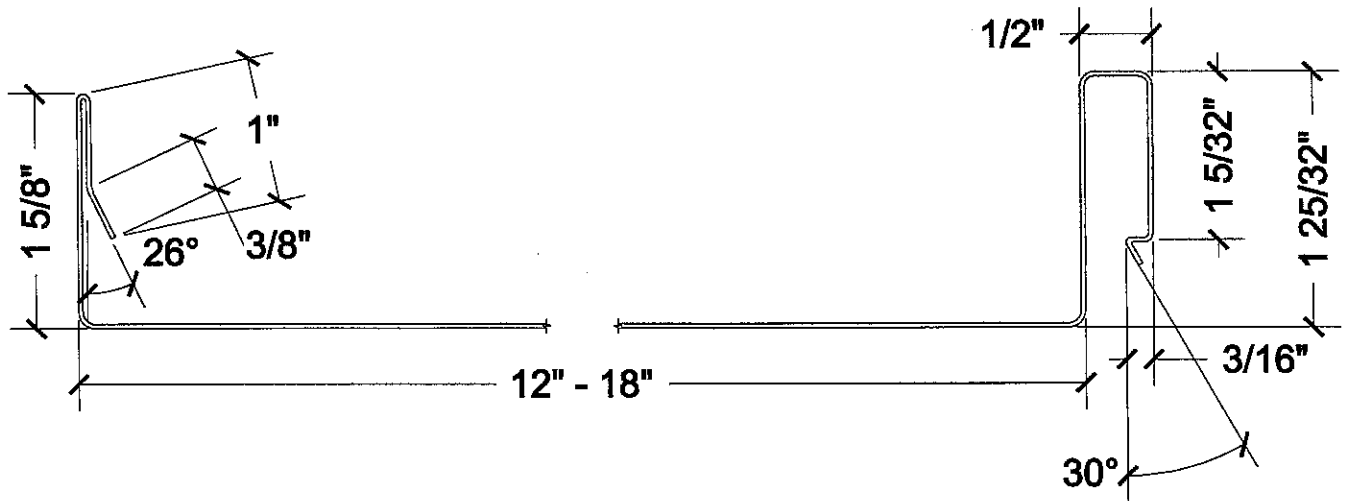
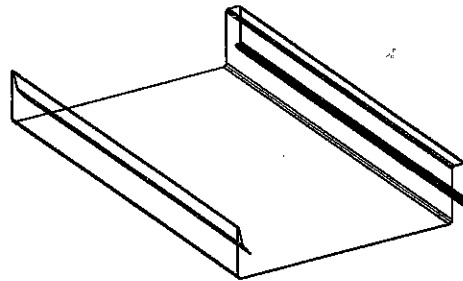
PREMIUM PANELS INC.

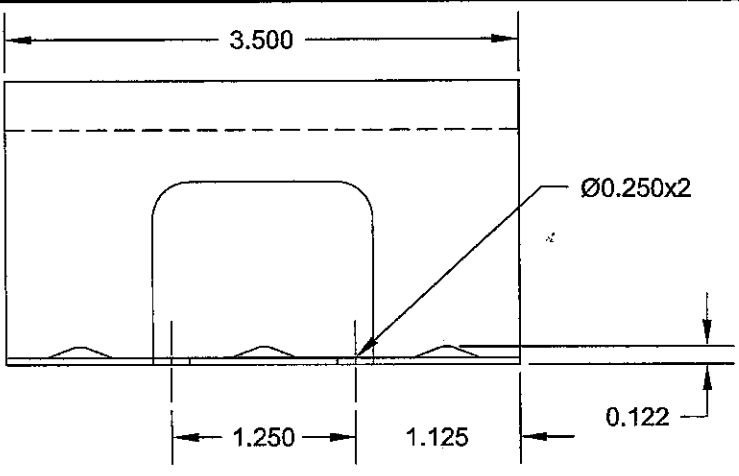
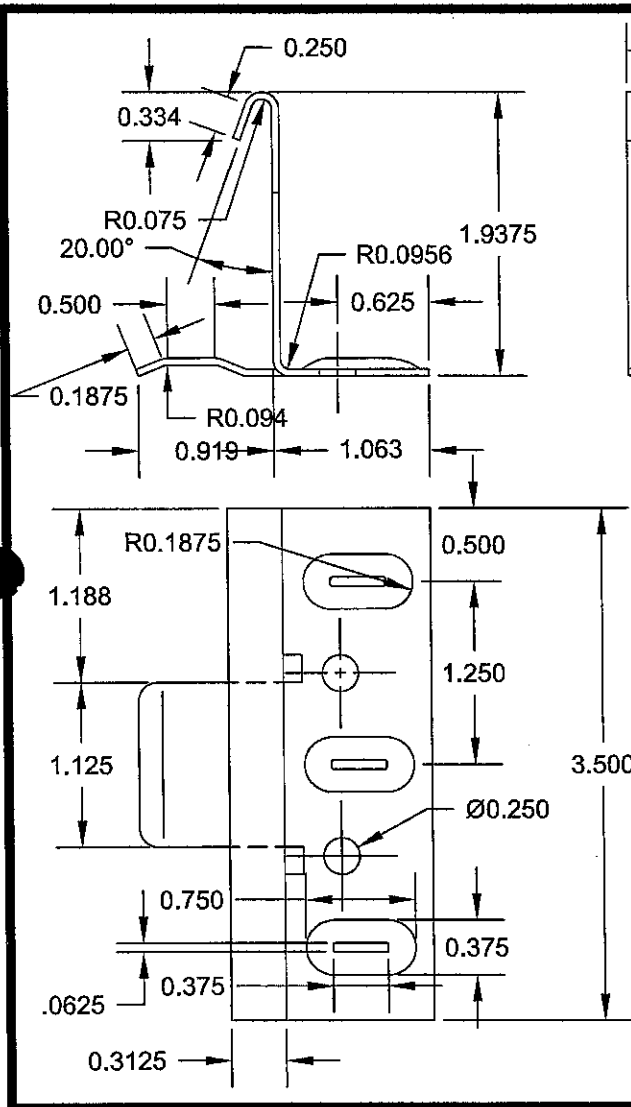
PREMIUM SNAP 675

P-6

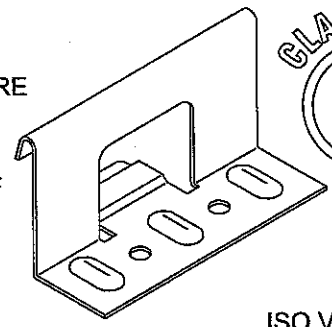
NOTES:

- MATERIAL USAGE: APPROX. $6\frac{1}{8}$ "
- UL 90 RATED ^④





ALL DIMENSIONS ARE
DECIMAL INCHES
TOLERANCE: 0.015±



ISO VIEW SCALE 1:2

ARCHITECTURAL METAL SPECIALTIES, INC.



178-SLU-18-G(S)

18 MSG (.0449 Min.)
G90 Galvanized or 304 Stainless
SCALE=1:1

NOTICE
All information contained in this document is proprietary and is not for general distribution. Any dissemination without the express written consent of AMSI is strictly forbidden and will prosecuted to the full extent allowable by law.

STONE
WHITE

BONE
WHITE

ALMOND

SANDSTONE



SLATE
GRAY



CITYSCAPE



CHARCOAL
GRAY



SIERRA
TAN



MEDIUM
BRONZE



DARK
BRONZE



EXTRA
DARK
BRONZE



MATTE
BLACK



BRANDYWINE



COLONIAL
RED



TERRA
COTTA



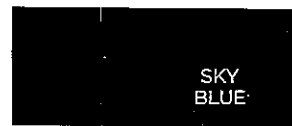
MANSARD
BROWN



REGAL
RED



AWARD
BLUE



SKY
BLUE



ELECTRIC
BLUE



REGAL
BLUE



TEAL



PATINA
GREEN



DARK
IVY



SHERWOOD
GREEN



HARTFORD
GREEN



HEMLOCK
GREEN



TROPICAL
PATINA



SILVER
METALLIC



CLASSIC
COPPER



CHAMPAGNE
METALLIC





METAL ROOFING SYSTEMS COLOR AVAILABILITY

New 35-Year Warranty available for all finishes

PVDF FINISH	R	E	SRI	STEEL ¹			STEEL ²	ALUMINUM			
				26	24	22	24	.032	.040	.050	.063
Almond ⬠	0.57	0.86	67	◆	◆			◆	◆	◆	
Bone White ⬠	0.72	0.84	87	◆	◆	◆	◆	◆	◆	◆	◆
Brandywine ⬠	0.25	0.85	23		◆	◆		◆			
Charcoal Gray ⬠	0.29	0.84	28	◆	◆	◆	◆	◆			
Cityscape ⬠	0.35	0.85	37	◆	◆	◆		◆	◆	◆	
Colonial Red ⬠	0.31	0.84	31	◆	◆		◆	◆	◆		
Dark Bronze ⬠	0.26	0.84	24	◆	◆	◆	◆	◆	◆	◆	◆
Dark Ivy ⬠	0.25	0.83	22	◆	◆						
Extra Dark Bronze	0.06	0.87	0		◆			◆	◆	◆	
Hartford Green	0.10	0.82	2	◆	◆		◆	◆			
Hemlock Green ⬠	0.32	0.86	33	◆	◆			◆	◆		
Mansard Brown ⬠	0.30	0.85	30	◆	◆	◆	◆	◆	◆	◆	
Matte Black ⬠	0.25	0.86	24	◆	◆	◆		◆	◆	◆	
Medium Bronze ⬠	0.30	0.87	31	◆	◆	◆	◆	◆	◆	◆	◆
Patina Green ⬠	0.26	0.86	25		◆			◆			
Regal Blue	0.16	0.86	12		◆			◆			
Regal Red ⬠	0.42	0.84	46	◆	◆			◆	◆	◆	
Sandstone ⬠	0.51	0.85	58		◆	◆	◆	◆	◆	◆	◆
Sherwood Green ⬠	0.27	0.85	26	◆	◆		◆	◆			
Sierra Tan ⬠	0.35	0.86	37	◆	◆	◆	◆	◆	◆	◆	
Sky Blue ⬠	0.29	0.85	29		◆			◆			
Slate Gray ⬠	0.36	0.86	38	◆	◆	◆	◆	◆	◆	◆	
Stone White ⬠	0.57	0.86	67	◆	◆	◆	◆	◆	◆	◆	
Teal	0.13	0.85	7		◆	◆					
Terra Cotta ⬠	0.34	0.87	36		◆			◆	◆		
Tropical Patina ⬠	0.28	0.85	27		◆						
Award Blue ★	0.15	0.84	9		◆						
Electric Blue ★	0.20	0.84	16		◆			◆			
Champagne Metallic ⬠★	0.37	0.83	38		◆	◆		◆			
Classic Copper ⬠★	0.42	0.86	46		◆			◆			
Silver Metallic ⬠★	0.59	0.77	67		◆	◆		◆	◆	◆	

LEGEND

Steel Types:

- ¹G-90 Galvanized Steel
- ²AZ-50 Galvalume® Steel

Cool Roofing Information:

- R**- Initial Solar Reflectance
- E**- Initial Emissivity
- SRI**-Solar Reflective Index

- ⬠ - Energy Star® qualified products
- ◆ - CRRC -listed finish
- ★ - Premium Color

NOTES

- All paint finishes are high quality PVDF (Kynar 500® / Hylar 5000®) colors.
- Custom colors are available.
- Copper, zinc, stainless steel, anodized and mill finish aluminum are also available.
- Protective film must be removed immediately after installation.

PLANT LOCATIONS

- Minnesota
- Georgia
- Mississippi
- Pennsylvania
- Nevada
- Michigan

Galvalume® is a registered trademark of BIEC International, Inc.

Kynar 500® is a registered trademark of Arkema, Inc.

Hylar 5000® is a registered trademark of Solvay Solexis, Inc.

Contact your local sales representative for specific stocking information. Not all colors and gauges are stocked in all locations. Due to product improvements, changes and other factors, we reserve the right to change or delete information herein without prior notice.



Firestone Building Products Company, LLC
 250 W. 96th Street • Indianapolis, IN 46260
 800-428-4442
 www.firestonebpco.com

Firestone
 BUILDING PRODUCTS
 NOBODY COVERS YOU BETTER™

MISSION CLAY

CORAL BLUE

**RANCHWOOD
BROWN**

SLATE GRAY

MEADOW GREEN

GALLERY BLUE

SPANISH RED TILE

MORROCCO RED

BRAVO RED

COTILLION WHITE